
Wall hung, fanflue, roomsealed, high efficiency gas boiler

User manual and Installation instructions

Activ A Plus

Models

Activ A Plus 30C

Activ A Plus 35C



Congratulations on your choice.

Activ A Plus are condensing high efficiency sealed chamber fan flue gas boilers. They are fully electronically controlled and have electronic ignition.

The materials they are made of and the control systems they are equipped with give you safety, a high level of comfort and energy savings to allow you to get the greatest benefit out of independent heating.

Activ A Plus allow a higher efficiency by reducing the flue gas temperature such that the water vapour formed during the combustion is condensed out.

This allows a gain of useful heat that otherwise would be lost.



DANGER: The indications marked with this symbol must be observed to prevent accidents of mechanical or generic origin (e.g.: injuries or bruises).



DANGER: The indications marked with this symbol must be observed to prevent accidents of electric origin (electrocution).



DANGER: The indications marked with this symbol must be observed to prevent the risk of fire or explosion.



DANGER: The indications marked with this symbol must be observed to prevent accidents of heat origin (burns).



ATTENTION: The indications marked with this symbol must be observed to prevent malfunctioning and/or damage to materials of the appliance or other objects.



ATTENTION: The indications marked with this symbol is important information that must be carefully read.



Remember that...



- ✓ **The manual** must be read thoroughly, so that you will be able to use the boiler in a safe and sensible way; must be carefully kept. It may be necessary for reference in the future.
- ✓ **The lighting up** must be carried out by competent and responsible engineer.
- ✓ **The manufacturer**
 - disclaim all liability for any translations of the present manual from which incorrect interpretation may occur;
 - cannot be held responsible for non-observance of instructions contained in this manual or for the consequences of any procedure not specifically described.
- ✓ **Guarantee conditions**
 - The guarantee registration form must be returned within 30 of purchase, failure to comply will invalidate the guarantee.

Using the boiler...

- ✓ **Before lighting the boiler** you are advised to have a Gas Safety Registered Engineer check that the installation of the gas supply
 - is gas-tight;
 - is of the correct gauge for the flow to the boiler;
 - is fitted with all the safety and control devices required by the current Regulations.
- ✓ **Ensure that**
 - check with the Installer that he has connected and terminated the pressure relief valve in a manner which allows safe discharge. The manufacturers are not responsible for damage caused by opening of the pressure relief valve and consequent escape of water, if this is not connected and terminated.
 - the installer has connected the condensate outlet to a suitable drain pipe.
- ✓ **On detecting the smell of gas:**
 - don't operate any electrical switches, the telephone or any device that may produce sparks;
 - open the windows and doors at once to create a draught of air which will purge the area;
 - shut off the gas cocks;
 - get the assistance of a qualified person. Emergency telephone number

Tel 0800 111999.

-
- ✓ **Do not touch the appliance** with parts of the body that are wet or damp and/or bare feet.
 - ✓ **Do not block or modify** the condensate outlet and pipework.
 - ✓ **In case of structural work** or maintenance near the exhaust duct and/or fume exhaust devices or their attachments, turn off the appliance. On completion of the work, have a professionally qualified person check their efficiency.
 - ✓ **Repairs** (under guarantee) must be carried out only by a Biasi approved engineer, using genuine spare parts. Thus do no more than switching off the boiler yourself (see the instructions).
 - ✓ **Your boiler** allows heating up of water to a temperature less than boiling point;
 - must be connected to a central heating system and/or a hot water supply system, compatible with its performance and output;
 - can be used only for those purposes for which it has been specially designed;
 - must not be touched by children or by those unfamiliar with its operation;
 - must not be exposed to weather conditions.
 - ✓ **During the operation** it is quite normal that the boiler produces a white plume of condensation vapour from the flue terminal. This is due to the high efficiency of the appliance and may be particularly evident with low outdoor temperatures.

Safe handling of substances

Biasi products are manufactured in accordance with ISO 9001 and do not, and will not, contain any hazardous materials or substances such as asbestos, mercury or C.F.C.'s. The appliance packaging does not contain any substances, which may be considered a hazard to health.

When handling or lifting always use safe techniques

- keep your back straight, bend your knees, don't twist.
- move your feet, avoid bending forwards and sideways and sand keep the load as close to your body as possible.

Where possible transport the boiler using a sack truck or other suitable trolley.

Always grip the boiler firmly, and before lifting feel where the weight is concentrated to establish the centre of gravity, repositioning yourself as necessary.

Combustion chamber panels

Material: mineral fibres

Known hazards - Some people can suffer reddening and itching of the skin. Fibre entry into the eye will cause foreign body irritation, which can cause severe irritation to people wearing contact lenses. Irritation to respiratory tract.

Precautions - Dust goggles will protect eyes. People with a history of skin complaints may be particularly susceptible to irritation. High dust levels are only likely to arise following harsh abrasion. In general, normal handling and use will not present high risk, follow good hygiene practices, wash hands before, touching eyes, consuming food, drinking or using the toilet.

First aid - Medical attention must be sought following eye contact or prolonged reddening of the skin.

Thermostat / Temperature gauge

Description - Sealed phial and capillary containing liquid.

Known hazards - irritating to skin, eyes and throat. Vapour is harmful. Inflammable -do not extinguish with water.

Precautions - Do not incinerate. Avoid contact with broken/leaking phials. Do not purposely puncture.

First aid - medical attention must be sought following eyes/skin contact, wash with clean water.

Sharp Edges

Caution should be taken when handling the boiler to avoid sharp edges on the boiler.

Boiler installation and commissioning tips

- ✓ **The installation** must be carried out by a qualified Gas Safety Registered Engineer who will be responsible for observing the current Regulations and the completion of the Benchmark Gas Boiler System Commissioning Checklist, located at the back of this User manual.

Installing the boiler...

- ✓ Do not forget to remove the transit caps and plugs from the boiler connections these are fitted to every boiler.
- ✓ Keep the boiler clear of dust during installation and in particular do not allow any dust or debris to enter the top of the boiler where the flue connection is made. It is recommended that you put a dust sheet over the top of the boiler until you are ready to make the flue connection.

-
- ✓ Because every boiler is fired and tested live at the factory, a small amount of water remains within the boiler. It is possible for this water to initially cause the pump to seize. It is therefore recommended that the pump rotor be manually turned to free its rotation before turning the boiler on.
 - ✓ Remember to release the auto air purge before filling the boiler. See the instructions to identify the location of this device.
 - ✓ This boiler allows to control the flow temperature of the central heating system at very low levels. In case of underfloor heating system a temperature limiting device (e.g. a safety thermostat) is recommended to stop the boiler in case that the water temperature exceeds the design temperature.
 - ✓ You are strongly advised to flush out the system both cold and hot to the British Standard BS 7593-2006 Code of practice, in order to remove system and installation debris.
 - ✓ It is also sensible to initially fire and commission the boiler before connecting any external controls such as a room thermostat. By following this procedure, if you have a subsequent problem following the addition of an external control, you can eliminate the boiler from your fault analysis.
 - ✓ If the boiler is fitted with a digital programmer, when setting the times for automatic operation, remember that for every "ON" time there must be an "OFF" time to follow and that on every occasion you enter a time you must also indicate which days that you want the boiler to follow the timed settings.
 - ✓ Some products incorporate an anti cycling time delay. It is normal when first switching the boiler on for the boiler to operate on heating for a few seconds then switch off. After 3 - 4 minutes has elapsed the boiler will then re ignite and operate perfectly normally. The ignition delay cycle does not prevent normal operation of the boiler to provide d.h.w.
 - ✓ If you are in any doubts as to the installation or operation of the boiler please read the instruction manuals thoroughly and then if necessary contact Biasi UK for advice and assistance.

Please remember that if you are in any doubt about the installation of this product you can contact our Technical Help line on tel. 01922 714 600.

TABLE OF CONTENTS

1 APPLIANCE DESCRIPTION	8	6.11 External frost protection	55
1.1 Overview	8	6.12 Installation of the external temperature probe (optional)	56
1.2 Isolation valves	8	6.13 Electric connection between the boiler and the external probe	56
1.3 Controls panel	9	6.14 Remote electric connection (optional)	56
1.4 LCD general features	10	6.15 Example of hydraulic plants with hydraulic separator	57
2 INSTRUCTIONS FOR USE	14	7 COMMISSIONING	58
2.1 Warnings	14	7.1 Warnings	58
2.2 Refilling procedure	14	7.2 Electrical installation	58
2.3 Ignition	15	7.3 Gas supply installation	58
2.4 C.h. circuit temperature	17	7.4 Filling the d.h.w. system	58
2.5 D.h.w. temperature	19	7.5 Initial filling of the system	58
2.6 3 star preheating function	20	7.6 Condensate pipe and traps	59
2.7 Extinguishing	22	7.7 Checking the gas supply pressure	60
3 USEFUL ADVICE	23	7.8 Checking the inlet pressure	60
3.1 Central Heating	23	7.9 Lighting the boiler	61
3.2 Frost protection	23	7.10 Enabling functioning of the external temperature probe by the remote control	62
3.3 Condensate drain	23	7.11 Setting the K coefficient of the external temperature probe	63
3.4 Periodic maintenance	23	7.12 Setting the pump speed	65
3.5 External cleaning	24	7.13 Setting the pump post-circulation	66
3.6 Operational faults	24	7.14 Selecting the reignition frequency	68
3.7 Displaying in INFO mode	25	7.15 Checking the ignition device	69
3.8 Remote anomaly code	27	7.16 Checking the flue system	70
3.9 Flue probe	27	7.17 Checking the condensate drain pipe	70
4 TECHNICAL INFORMATION	28	7.18 Instructing the user	70
4.1 Overview	28	7.19 Adjustment of useful c.h. output	70
4.2 Main diagram	29	7.20 Setting record	71
4.3 Hydraulic specifications	31	8 GAS CONVERSION	73
4.4 Expansion vessel	31	8.1 Warnings	73
4.5 Technical data Activ A Plus 30C	32	8.2 Operations and gas setting	73
4.6 Technical data Activ A Plus 35C	35	9 MAINTENANCE	75
5 GENERAL REQUIREMENTS	38	9.1 Warnings	75
5.1 Related documents	38	9.2 Programming the maintenance period	75
5.2 Location of appliance	38	9.3 Dismantling the external panels	76
5.3 Flue system	38	9.4 Reassembly the external panels	77
5.4 Gas supply	39	9.5 Emptying the d.h.w. system	77
5.5 Air supply	40	9.6 Emptying the c.h. system	78
5.6 Ventilation	40	9.7 Cleaning the condensing primary exchanger and the burner	78
5.7 Condensate drain	40	9.8 Check the pressure of the heating expansion vessel	79
5.8 Water circulation (c.h.)	41	9.9 Cleaning the domestic hot water exchanger	79
5.9 Domestic water	42	9.10 Checking the flue expulsion pipe	80
5.10 Water treatment	42	9.11 Combustion analysis check	80
5.11 Electrical supply	42	9.12 Checking the condensate drain pipe	80
6 INSTALLATION	44	9.13 Visual inspection of appliance	81
6.1 Warnings	44	9.14 Checking the gas supply pressure	81
6.2 Precautions for installation	44	9.15 Water inhibitor concentration	81
6.3 Installing the bracket	45	9.16 Setting the boiler chimney sweep function	81
6.4 Overall dimensions	46	Gas boiler commissioning checklist	86
6.5 Joints	46	Service interval record	87
6.6 Mounting the boiler	46		
6.7 Fitting the flue system	47		
6.8 Choice of flue	48		
6.9 Electric connection	51		
6.10 Connecting the room thermostat or zone valves	53		

Abbreviations used in the manual:

C.h. = Central heating
D.h.w. = Domestic hot water
D.c.w. = Domestic cold water

Appliance category: II2H3P (gas G20 20 mbar, G31 37 mbar)

Country of destination: United Kingdom (GB) Ireland (IE)

This appliance conforms with the following EEC directive:

Gas Directive 2009/142/CE

Boiler Efficiency Directive 92/42/CEE

Electromagnetic Compatibility Directive 2004/108/CE

Low Voltage Directive 2006/95/CE

The manufacturer, in the continuous process to improve his products, reserves the right to modify the data expressed in the present documentation at any time and without prior notice.

The present documentation is an informative support and it can not be considered as a contract to-wards third parties.

APPLIANCE DESCRIPTION

1 APPLIANCE DESCRIPTION

1.1 Overview

The model and serial number of the boiler are printed on bottom right side.

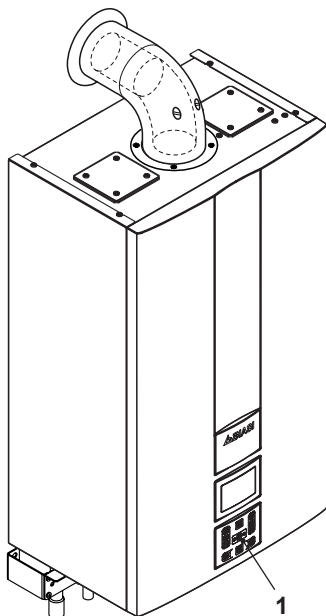


Fig. 1.1

1 Controls panel

1.2 Isolation valves

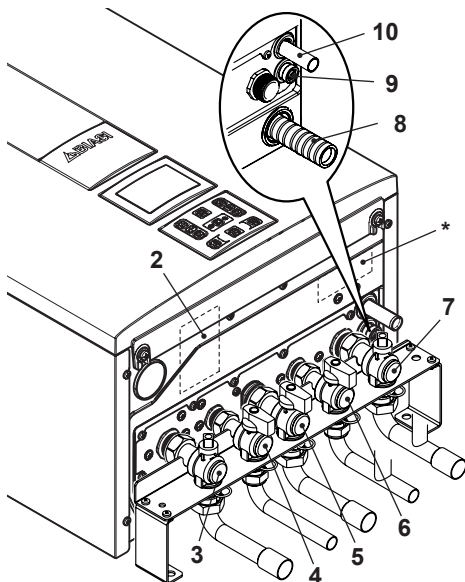


Fig. 1.2

- 2 Gas supply label
- 3 C.h. flow valve
- 4 D.h.w. outlet valve
- 5 Gas inlet valve
- 6 D.c.w. inlet valve
- 7 C.h. return valve
- 8 Condensate drain pipe
- 9 Main circuit drain valve
- 10 C.h. pressure relief valve pipe
- * model and serial number of the boiler label.

APPLIANCE DESCRIPTION

1.3 Controls panel

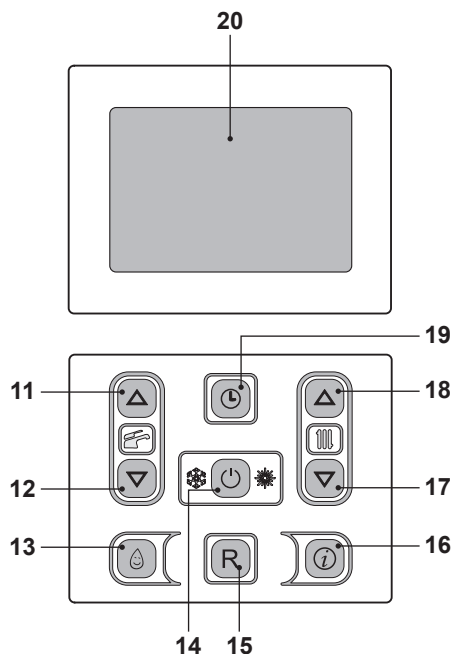


Fig. 1.3


- 11 D.h.w. temperature increase key
 - 12 D.h.w. temperature reduce key
 - 13 3 star preheating function key
 - 14 Reset/Stand-by/Winter/Summer key
 - 15 Reset Key
 - 16 Access to function menu key
 - 17 C.h. temperature reduce key
 - 18 C.h. temperature increase key
 - 19 Clock key: used to access the clock functions (Time/Day/Date setting) and the timer (3 star preheating function and heating flow timer)
- 20 LCD display



RESET that takes all parameters back to the factory value occurs only by setting "parameter 08=04". Reset is displayed by switch on of all symbols present on the display.



Press keys 15 and 19 (Fig. 1.3) simultaneously for 5 seconds in order to reset all the scheduling (both preheating and heating). After resetting or in default status, the heating function will be activated for every day, for all 24 hours.

This is also the default status of boilers upon delivery. Resetting will be confirmed by a flashing **RESET** along with the symbol .

USE

APPLIANCE DESCRIPTION

1.4 LCD general features

For the boiler technical informations refer to the section "TECHNICAL INFORMATION" to page 28.









Fig. 1.4






KEY

	All symbols represented with lines that surround them, indicate that the symbol is flashing
	Constantly illuminated: chimney sweep function enabled
AM PM	Constantly illuminated: the presence of this symbol during normal operation indicates that the heating or preheating timer has been set. Flashing: this indicates that the clock has not yet been set by the user.
	Constantly illuminated: boiler power delayed by inhibitor (AFCT) or other events
	INFO menu input enabled

	Indicate the status of the scheduling request Flashing: comfort program in process; reduced program in process;
1 2 3 4 5 6 7	The day of the week is displayed highlighting the number with the following sequence: 1=Mon... 7=Sun
	Constantly illuminated: d.h.w function enabled Flashing: d.h.w function enabled
	Flashing: solar circuit pump in operation Solar integration at the time of d.h.w withdrawal is indicated by the lighting of the bars. SV versions: the bars indicate the value of the temperature of the solar storage (range 40...80°C)
	Constantly illuminated: heating request from zone 1 and/or zone 2 Flashing: heating function in progress
	Constantly illuminated: delivery probe and/or return probe





APPLIANCE DESCRIPTION

	<p>The ignition of the key, the arrow, M, and the month (1 or 2) indicates the next due date for maintenance.</p> <p>The flashing of the symbol, the arrow, M and 0 indicates that the maintenance period has expired</p>
°C°F	Temperature measurement unit
	<p>Constantly illuminated: 3 star preheating function active</p> <p>Flashing: 3 star preheating function in process</p>
	Flashing: down (before flame detection)
	Constantly illuminated: flame present and modulation level
RESET	Constantly illuminated: lockout error. The boiler can be restarted by the user by pressing the reset button
	Non resettable error The back lighting has to be flashing
K	Constantly illuminated: set value
	Constantly illuminated: temperature is displayed without decimals but with a sign (probe connected)

	Indicated boiler pressure
	<p>Constantly illuminated: remote control connected</p> <p>Flashing: request from remote control in process</p>
	<p>Constantly illuminated: pump active</p> <p>The icon remains on for post-circulation</p>
	Constantly illuminated: boiler antifreeze active
	<p>Antifrost</p> <p>Constantly illuminated: (system antifreeze active)</p>








USE







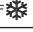



SIGNAL DISPLAYED BY THE LCD

LCD	FUNCTION
E01 + RESET	Lack of burner ignition on safety lockout
E02 + RESET	Safety thermostat intervention lockout
E03 + RESET	General lockout
E04 + 	Little pressure in the system or pressure transducer disconnected
E05 + 	Pressure switch anomaly (if present)
E06 + 	Faulty c.h. temp. probe NTC1 or NTC2
E07 + 	Faulty d.h.w. temp. probe NTC


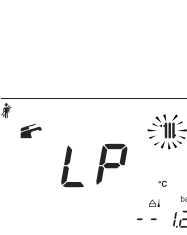

APPLIANCE DESCRIPTION

USE

LCD	FUNCTION
E08 + 	Faulty external temp. probe NTC (with K set)
E09 + 	Faulty flue temp. probe NTC (if present)
E10 + RESET	Flue probe intervention lockout (if present)
E11 + RESET	Flame detection error
E12 + 	Failure return NTC probe
E13 + 	DT delivery-return > 40K (if foreseen)
E14 + RESET	Faulty pump or primary temperature above 105°C
E14 + 	Absence of flow from temperature gradient (>2K/s)
E20 + RESET	Lockout EVG
E21 + RESET	Lockout EVG
E22 + RESET	Lockout EVG
E23 + RESET	Lockout EVG
E24 + RESET	Abnormal combustion ignition lock
E25 + RESET	Abnormal combustion operation lock
E69 + 	Wiring error lockout
E99 + 	Boiler not configured
L 01	Primary circuit temp. limit during D.h.w. operation
- - - -	Boiler Stand-By, hyphens are turned on in sequence to simulate running (antifreeze protection activated)

LCD	FUNCTION
 bar 2.8	In the case of incorrect pressure the value is visualised with a flashing symbol When pressure is achieved the symbol remains on for 15 s and then disappears.
 bar 0.9	Flashing:  high pressure > 2.8 bar ON, 2.6 bar OFF;  intermediate pressure 0.15 < P < Pon rising 0.15 < P < (Pon-0.2) decreasing;
 bar 0.1	 pressure critical 0.00 < P < 0.15 bar
88.8	Pump activated for the post-circulation phase (Po flashing + temperature flashing)
88.8 AF 	Boiler in anti-freeze phase (bP flashing + temperature flashing)
 43.5 °C Δi bar -- 1.2	Boiler on demand for d.h.w. power. The d.h.w. temperature is displayed.
 43.5 °C Δi bar -- 1.2	Boiler requesting heating power and remote control connected.
43.0 °C SEt	Set c.h. (all other symbols are disabled)
 43.0 °C SEt	Set D.h.w. (all other symbols are disabled)

APPLIANCE DESCRIPTION

LCD	FUNCTION
	<p>Delayed burner ignition for setting the system (the hourglass symbol turns on)</p>
	<p>Boiler in chimney sweep in function. The activation of the chimney sweep occurs configuring the "parameter P09=01" and is visualized:</p> <p>LP= minimum dhw hP= minimum heating cP= maximum heating dP= maximum dhw</p>
	<p>The transition occurs with keys 18 (increase) and 17 (decrease) dhw temperature.</p>
	<p>The writing on the display alternates.</p>

INSTRUCTIONS FOR USE

2 INSTRUCTIONS FOR USE

2.1 Warnings


Biasi UK Ltd support the Benchmark initiative. The Benchmark Log Book is located at the back of this manual and should be completed by the Installing/Commissioning Engineer and handed over to the User for future reference by other visiting Engineers.




Also included is the Service Interval Record card that should be completed by the Service Engineer following the annual service maintenance of the boiler and system.

All Gas Safe Registered Installers carry a Gas Safe ID card, and have a registration number. Both should be recorded in your Benchmark Log Book. You can check your Installer is registered by calling Gas Safe direct on 0800 408 5500, or go on line at www.GasSafeRegister.co.uk.

In order to guarantee safety and correct operation, it is essential that all the tests are carried out by a competent and responsible service engineer before lighting up the boiler.

The tests are described in the installation instructions in section 7 commissioning. Ensure that the c.h. circuit is regularly filled with water (even if the boiler is only used for d.h.w. supply) checking that the pressure indicated on the bottom part of the display Fig. 2.2.

In the case of incorrect pressure the value is visualised with a  flashing symbol (Fig. 2.2).

-  high pressure: > 2.8 bar ON, 2.6 bar OFF;
-  intermediate pressure:
 - 0.15 < P < Pon rising
 - 0.15 < P < (Pon-0.2) decreasing;
-  critical pressure (too low): 0.00 < P < 0.15 bar

If you are in any doubt regarding this procedure you are advised to contact your Installer or an Approved Engineer.

This appliance is provided with a built in anti-freeze system that operates the boiler when the temperature is below 5 °C.

Therefore, when the boiler is not lit or used in cold weather, with consequent risk of freezing do not switch off the boiler at the fused spur isolation switch or close the gas inlet cock.

When you do not expect to use the boiler for a long period and the boiler is not to be used for frost protection then follow the instructions given in section "Extinguishing" to page 22.

2.2 Refilling procedure

- Isolate the boiler from the electrical supply at the fused spur. Reconnect the filling loop as demonstrated in Fig. 2.1.

INSTRUCTIONS FOR USE

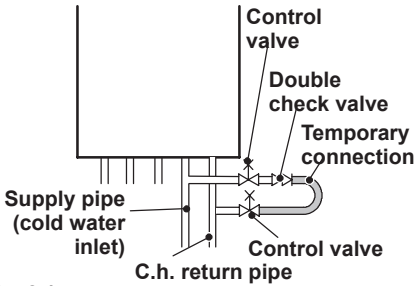


Fig. 2.1

- Open the valves of the filling loop and watch the display until it reaches normal filling pressure as shown in Fig. 2.2.



Fig. 2.2

If you experience any difficulty with the operation of the boiler, switch off the boiler immediately at the fused spur isolation switch and contact your Installer or an approved Service Engineer.

Air introduced into the boiler during this filling process will vent through the automatic air purger fitted to the boiler. You may also find it necessary to vent air from your radiator circuit using your radiator key, however be aware that excessive venting will cause the pressure in the system to drop. Always ensure that the pressure gauge is set at the required pressure.

2.3 Ignition

- Check that the valves located in the lower part of the boiler are open Fig. 2.3.

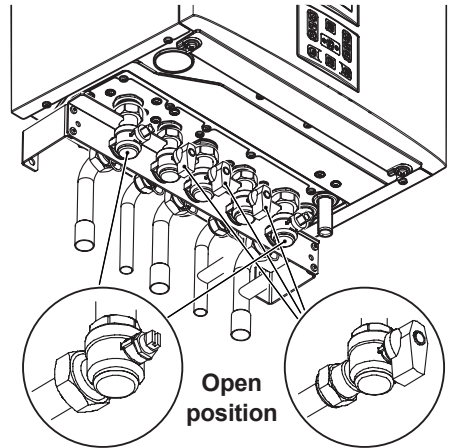


Fig. 2.3

- Turn on the electricity supply to the boiler, switching on the fused spur isolation switch. The LCD display displays the state within which the boiler is found (last memorised) Fig. 2.4.



Stand-by
Hyphens are turned on in sequence to simulate running



Winter



Summer

Fig. 2.4

Time/Day/Date setting

Enter "programming mode" by holding down key 19 for 5 seconds (Fig. 2.7) until

USE

INSTRUCTIONS FOR USE


the display indicates the  symbol.
Use keys 17 (decrease) and 18 (increase) Fig. 2.7 to set the time, day and date values, using keys 11 and 12 to move from one parameter to the next.
Press key 19 briefly to save the values entered and the display will indicate **OK** to confirm (Fig. 2.5).



Fig. 2.5



The display will indicate:

hh nn for hour and minutes
day for the day of the week (1=Mon, ..., 7=Sun)
dd mm for day and month
Year for the year
Nn Pn for the format

To exit programming, hold down key 19 for 5 seconds (all changes will be saved) or wait 60 seconds.

NOTE: If a remote is connected, the card acquires the time, date and year data from the remote itself, and synchronises with it (ID 20).

C.h. / D.h.w. functioning

- Press the key 14 for 2 seconds until both  and  symbols appear on the display Fig. 2.7.

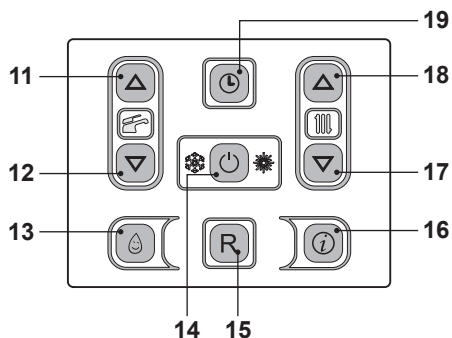


Fig. 2.7




The LCD display displays the boiler temperature (primary circuit) and the  and  symbols; the $^{\circ}\text{C}$ symbol slowly flashes Fig. 2.8.



Fig. 2.8

Hot water production functioning only

- Press the key 14 for 2 seconds until the  symbol appears on the display Fig. 2.9.

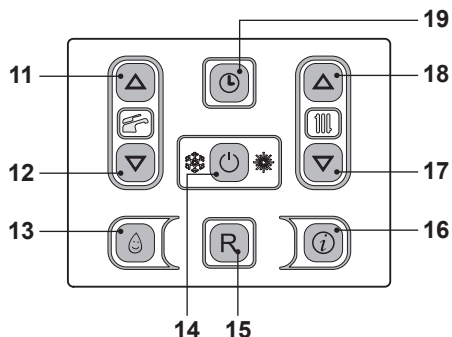


Fig. 2.9

The LCD display displays the boiler temper-

INSTRUCTIONS FOR USE


ature (primary circuit) and the  symbol; the °C symbol slowly flashes Fig. 2.10.



Fig. 2.10

2.4 C.h. circuit temperature

The output temperature of c.h. water can be adjusted by acting on keys 17 (reduce) and 18 (increase) (Fig. 2.9) from a minimum of about 25°C to a maximum of about 85°C. Press one of the two keys once to display the "set" value. Press again to access the modification.

Signal given by the LCD display:


- The heating hot water flow "set" temperature and the symbol  flash. The background of the display is illuminated (Fig. 2.11).




Fig. 2.11

Adjusting the c.h. temperature WITHOUT the external temperature probe (optional) fitted

Adjust the c.h. water flow as follows:

- from 25 to 35 with an external temperature included between 5 and 15°C
- from 35 to 60 with an external temperature included between -5 and +5°C
- from 60 to 85 with an external temperature less than -5°C.

Your qualified installer can recommend the most indicated adjustments for Your system.

The control of the set temperature reached can be seen on the LCD display by means of the missing symbol .

Power request in c.h. power.




When the boiler has a power request in the c.h. mode, the  symbol is displayed on the display followed by an increase of the c.h. water flow temperature. The  symbol flashes and the circulator is activated  (Fig. 2.12).



Fig. 2.12

Adjusting the c.h. temperature with the external temp. probe installed

When the external temp. probe (optional) is installed your boiler automatically adjusts the temperature of the c.h. system water flow in relation to the external temperature. In this case the boiler must be set by a qualified installer (see "Setting the K coefficient of the external temperature probe" to page 63).

However, if the ambient temperature is not comfortable, the flow temperature of the heating plant can be increased or reduced by $\pm 15^\circ\text{C}$ by acting on keys 17 (reduce) and 18 (increase) (Fig. 2.9).

Regulation of heat temperature, independent, between the two areas with remote control installed

When the zone valves are installed one

INSTRUCTIONS FOR USE

controlled by the ambient thermostat and the other by the remote control it is possible to have two different heat delivery temperatures.

The heating temperature of the zone valve controlled by a thermostat is configured on the boiler control panel using keys 17 and 18 Fig. 2.9.

The heating temperature of the zone valve controlled by remote control is configured using the heating temperature regulation keys on the remote control.

Setting the heating time brackets for zone 1 (room/TA zone)

In order to satisfy a heating request, both the TA and the clock must be activated.

The second zone on the other hand is managed independently from the remote (so it already has its own time brackets).

N.B.: In the case of a single zone controlled by TA and boiler clock (where programmed with time brackets), in order to have a heating request, both the TA and clock consents must be obtained.

N.B.: The scheduling of the heating brackets does not affect possible requests for system antifreeze (AF) which are satisfied, irrespective of the time bracket set.

To set the time brackets:

Enter "programming mode" by holding down keys 18 and 19 for 5 seconds (Fig. 2.14) until the LCD display indicates the symbols shown in Fig. 2.13.



Fig. 2.13

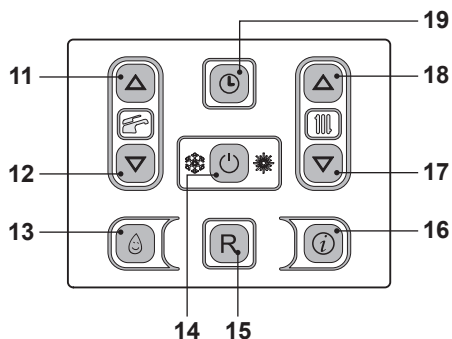


Fig. 2.14

Press keys 11 or 12 (Fig. 2.14) to select the individual day (1)(2)(3)(4)(5)(6)(7) or if you want groups of days with the same time bracket scheduling, hold down key 11 until groups (1÷5), (1÷6), (1÷7), (6÷7) are displayed (flashing), then confirm by pressing key 14.

The days or groups of days selected will be indicated via the related icons on the left side of the LCD Fig. 2.15.

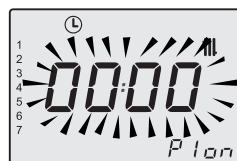


Fig. 2.15

Press key 14 followed by key 18 to program the first ignition period (PI on), confirm by pressing key 14, the subsequent off time (PI off) is already prompted with an additional 15 minutes (minimum programming interval); to modify this, press key 14 followed

INSTRUCTIONS FOR USE

by key 18 and confirm by pressing key 14. Repeat this sequence for P2 on and P2 off, ..., P4 on and P4 off, for every day or group of days selected (Fig. 2.16).

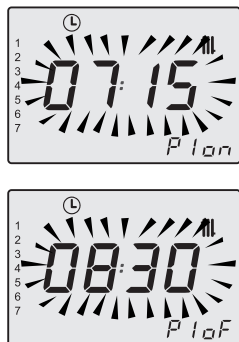


Fig. 2.16

If all 4 programmes (P1+P4) are not used, the unused programmes must be set to 0 as shown in Fig. 2.17.

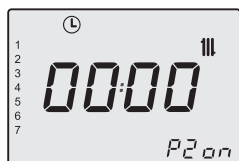


Fig. 2.17

Once the scheduling is set to 00:00, confirm with key 14 and the related automatic off time bracket will be set to 00:00 (Fig. 2.18).

Press key 19 briefly to save the values entered and the display will indicate **OK** to confirm (Fig. 2.18).

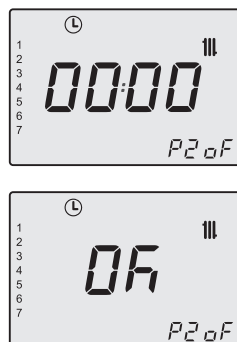


Fig. 2.18

To exit programming, hold down key 19 for 5 seconds (all changes will be saved) or wait 60 seconds.


N.B.: If you re-enter programming mode to modify the values, the new brackets overwrite the previous ones if necessary, whenever they have already been programmed, or they overwrite them fully or partly.

To reset all the time brackets, please refer to paragraph 1.3 to page 9.

2.5 D.h.w. temperature

The temperature of the d.h.w. can be adjusted by acting on keys 11 (increase) and 12 (reduce) (Fig. 2.9) from a minimum of about 35°C to a maximum of about 60°C. Press one of the two keys once to display the "set" value. Press again to access the modification.

Signal given by the LCD display:

- the "set" value of the d.h.w. and the  symbol flash. The background of the display is illuminated. (Fig. 2.19).

INSTRUCTIONS FOR USE



Fig. 2.19

Adjustment

Adjust the d.h.w. temperature to a value suited to your needs.

Reduce the necessity of mixing hot water with cold water.

In this way, the automatic adjustment features will be appreciated.

If water hardness is particularly high, we recommend that the boiler be adjusted to a temperature less than 50°C.

In these cases we recommend however that a softener is installed on the d.h.w. system. If the maximum d.h.w. flow rate is too high, such that does not allow the sufficient temperature to be reached, have a suitable flow rate limiter installed by the Authorised Service Engineer.

D.h.w. request



When the boiler has a power request in the d.h.w. mode, the  symbol is displayed on the display followed by an increase of the heating water flow temperature. The  symbol flashes (Fig. 2.20).




Fig. 2.20

2.6 3 star preheating function

This function diminishes consumption of the domestic water supply at the time of with-

drawal, preparing the boiler temperature at the requested temperature.


To activate the 3 star preheating function press key 13 (Fig. 2.27) until the following symbol appears on the LCD display  (Fig. 2.21).

When the symbol  flashes, the function is in process.



Fig. 2.21

NOTE: Should the power to the boiler fail, wait at least one minute before reactivating the function upon reactivation.

To disable the 3 star preheating function press key 13 (Fig. 2.27) until the symbol does not disappear from the LCD display .

Note to the installer.

3 Star DHW comfort setting

This boiler is equipped with advanced software that facilitates an enhanced domestic hot water delivery system; this system reduces the waiting time at the hot water draw off points to a minimum and also ensures limited water wastage.

Please ensure if you decide to activate the built in 3 star comfort function that the first DHW draw off point is at a sufficient distance to avoid excessively hot water being delivered to the draw off point.

Setting the 3 star preheating function time brackets

For preheating, the scheduling will be the same for all days.

Enter "programming mode" by holding down

INSTRUCTIONS FOR USE

keys 11 and 19 for 5 seconds (Fig. 2.23) until the LCD display indicates the symbols shown in Fig. 2.22.



Fig. 2.22

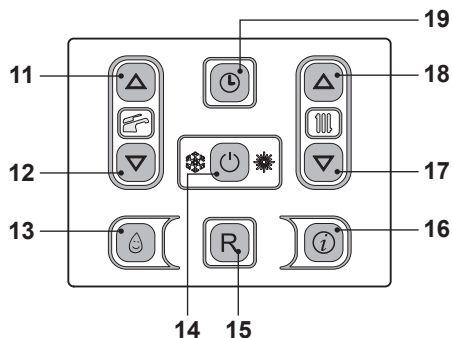


Fig. 2.23

Press key 11 or 12 to select the 4 programmes (P1÷P4) with the related on and off times (P1 on - P1 off, ..., P4 on - P4 off), with minimum intervals of 15 minutes (Fig. 2.24).

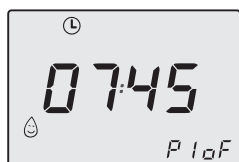


Fig. 2.24

Press key 14 to access the time modification, and the digits to be programmed will

begin to flash.

To modify the on and off time, press key 17 or 18.

To confirm the on/off point and move on to the next point, press key 14 in Fig. 2.23.

If all 4 programmes (P1÷P4) are not used, the unused programmes must be set to 0 as shown in Fig. 2.25.

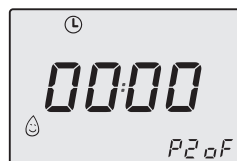
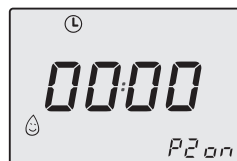


Fig. 2.25

Press key 19 briefly to save the values entered and the display will indicate **OK** to confirm.

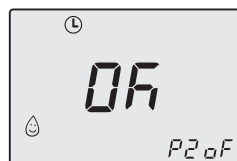
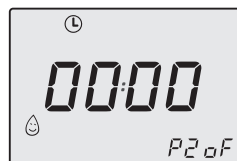


Fig. 2.26

To exit programming, hold down key 19 for 5 seconds (all changes will be saved) or wait 60 seconds.

To reset all the time brackets, please refer

USE

INSTRUCTIONS FOR USE

to paragraph 1.3 to page 9.

2.7 Extinguishing

Press the key for 2 seconds 14 (Fig. 2.27) until the - - - - symbol appears on the display (Fig. 2.28).

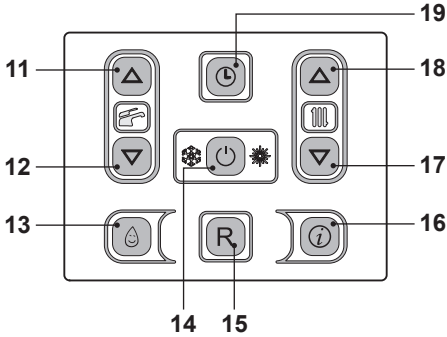


Fig. 2.27



Fig. 2.28

If a long period of inactivity is envisioned:

- Switch off the electricity supply to the boiler, by means of the fused spur isolation switch.
- Shut off the gas supply cock and the valves for the water circuits fitted under the boiler Fig. 2.29.

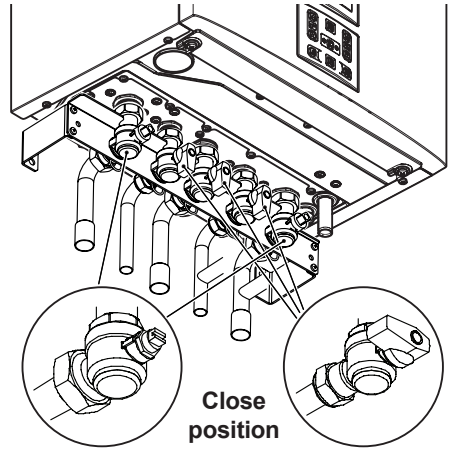


Fig. 2.29

- If necessary, empty the hydraulic circuits see section "Emptying the d.h.w. system" to page 77 and section "Emptying the c.h. system" to page 78.

USEFUL ADVICE

3 USEFUL ADVICE

3.1 Central Heating

For reasonably economical service install a room thermostat. Never shut off the radiator in the area where the room thermostat is installed.

If a radiator (or a convector) does not heat up, check that no air is present in it and that its valve is open. If the ambient temperature is too high, do not alter the radiator valves. Reduce the central heating temperature instead by means of the room thermostat or by acting on the 17 and 18 heating adjustment keys (Fig. 3.1).

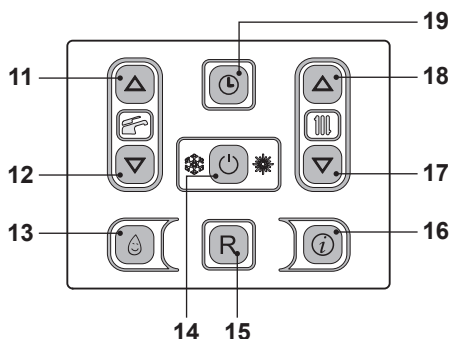


Fig. 3.1

3.2 Frost protection

The anti-freeze system and any additional protections protect the boiler from possible damage due to frost.

This system does not guarantee protection of the entire hydraulic system.

If the external temperature can reach values lower than 0°C, it is recommended that the entire system is activated adjusting the room thermostat at a low temperature.

The anti-freeze function is also activated with the boiler in stand-by (Fig. 3.2).

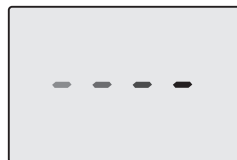


Fig. 3.2

Therefore, when the boiler is not lit and used in cold weather, with consequent risk of freezing do not switch off the boiler at the fused spur isolation switch or close the gas inlet cock.

If the boiler is deactivated, have a qualified technician empty the boiler (heating and domestic hot water circuit), the c.h. system and the d.h.w. system.

3.3 Condensate drain

The condensate drain must not be modified or blocked. Blockage of the condensate drain, caused by debris or freezing, can cause automatic shutdown of the boiler. If freezing is suspected and the pipe run is accessible an attempt may be made to free the obstruction by pouring hot water over the exposed pipe and cleaning any blockage from the end of the pipe.

If this fails to remedy the problem the assistance of a Gas Safe registered installer or in IE a competent person should be sought.

3.4 Periodic maintenance

For efficient and continuous operation of the boiler, it is advisable to arrange maintenance and cleaning by an Authorised Service Centre Engineer, at least once a year. During the service, the most important components of the boiler will be inspected and cleaned. This service can be part of a maintenance contract. In particular, you are

USEFUL ADVICE

advised to have the following checks carried out:

- domestic hot water heat exchanger;
- condensing heat exchanger
- burner;
- exhaust fume duct and flue;
- pressurisation of the expansion tank;
- filling up of the central heating circuit;
- bleeding of air from the central heating system;
- general check of the appliance's operation.

3.5 External cleaning



Before carrying out any cleaning, disconnect the appliance from the electrical mains, using the fused spur isolation switch fitted adjacent to the appliance.

To clean the external panels, use a cloth soaked in soapy water. Do not use solvents, abrasive powders or sponges.

Do not carry out cleaning of the appliance and/or its parts with readily flammable substances (for example petrol, alcohols, naphtha, etc.).

3.6 Operational faults

If the boiler does not function and a code that precedes the letter **E** and the writing **RESET** (see "LCD general features" to page 10) appear on the LCD display, it indicates that the safety lock-out has stopped the boiler. The display background flashes (Fig. 3.3).

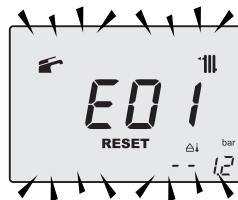


Fig. 3.3

For the first lighting up and following maintenance procedures for the gas supply, it may be necessary to repeat the resetting operation several times so as to remove the air present in the pipe work.


Safety lock-out may occur even in case of a blockage of the condensate drainage (e.g. plugged drain pipe). It is advisable to check the condensate drainage pipe and traps for cleanliness.

Press the reset key on the boiler control panel 15 (Fig. 3.1) to reset its functioning.



In this case and in case of persistent lock-out call a competent and responsible Service Engineer.

Other operational faults signalled on the LCD display

If the LCD display displays a code that precedes the letter **E** and the writing  symbol, the boiler has an anomaly that cannot be reset. The display background flashes (Fig. 3.4).

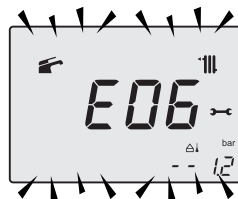


Fig. 3.4

USEFUL ADVICE

Another possible signal occurs when the d.h.w. exchanger cannot exchange all of the power supplied by the boiler.

E.g.: d.h.w. exchanger clogged with lime scale. This happens only when the boiler has a request for d.h.w..

Code **01** appears on the LCD display that preceded with the letter **L**. The display background flashes (Fig. 3.5).

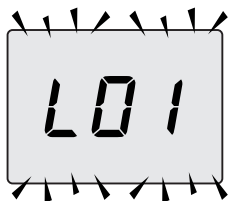


Fig. 3.5



In order to reset good functioning of the boiler, call a competent and responsible Service Engineer.

Noise due to air bubbles are heard during operation

You should check that the pressure on the pressure gauge is not below the correct setting.

If required, top up the system correctly, as described in the section "Refilling procedure" to page 14 of this manual. Bleed any air present in the radiators, if necessary.

The pressure has gone down

It is necessary to top up the appliance with water again, so as to raise the pressure to an adequate level as described in the section "Refilling procedure" to page 14 of this manual. If topping up with water has to be done very frequently, have the system checked for leaks.

Water comes out of the pressure relief valve

Check on the pressure gauge that the pressure in the central heating circuit is not close to 3 bars. In this case, temperature rise in the circuit can cause the pressure relief valve to open. So that this does not happen and to decrease the pressure to a normal value, it is advisable to vent some of the water in the appliance through the bleed valves present in the radiators.

Reduced domestic hot water temperature

The likely causes may be impurities caught in the domestic hot water flow switch filter or limescale deposited in the domestic hot water heat exchanger. It is advisable to have the appliance cleaned out by an Authorised Service Centre Engineer.

Water should occasionally leak from the boiler

Shut off the valves positioned under the boiler to page 22 and call an Authorised Service Centre Engineer.



In this case or in case of problems other than those mentioned here, switch off the boiler, as described in section "Extinguishing" to page 22 and call a competent and responsible Service Engineer.

3.7 Displaying in INFO mode

The INFO mode allows the display of some information on the boiler functioning status. In case of malfunctioning of the boiler, it may be useful to communicate such information to the Authorised Service Centre Engineer

USEFUL ADVICE

so that the causes can be understood.

In order to access the INFO mode, press key 16 (Fig. 3.6) the index **J00** and the value of the parameter appear on the display (Fig. 3.7).

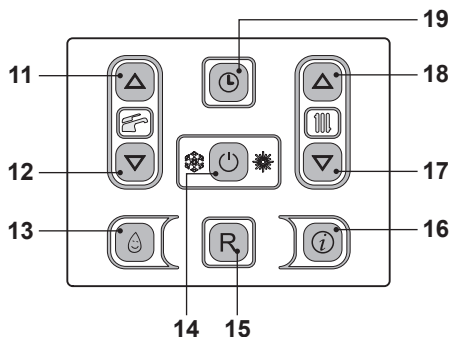


Fig. 3.6

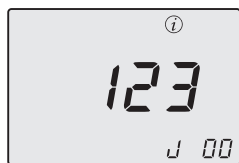


Fig. 3.7

To scroll the values press 17 (reduce) and 18 (increase) keys. In order to exit the INFO mode, hold keys 14 and 18 (Fig. 3.6) pressed at the same time.

The table summarises the possible values visible in INFO mode.

Value visualised	Index
Primary circuit pressure	J00 + value
External temperature	J01 + value
K curve value configured in loco	J02 + value
Offset climatic curve value	J03 + value
Calculated heating set point (with climatic curve or set configured)	J04 + value
Temperature NTC delivery	J05 + value
Temperature NTC return	J06 + value
Domestic set	J07 + value
Temp. Dhwh inlet (if foreseen)	J08 + value
Temp. Dhwh output	J09 + value
Dhwh capacity	J10 + value
Flue temperature (if foreseen)	J11 + value
Fan speed (if foreseen)	J12 + value
Pressure transducer pressure (if foreseen)	J13 + value
Ionization value	J14 + value
Number of months to maintenance	J15 + value
3 star status (ON=01, OFF=00)	J16 + value
HWCH Hardware code high	J17 + value
HWCL Hardware code low	J18 + value
SWCH Software code high	J19 + value
SWCL Software code low	J20 + value

USEFUL ADVICE

3.8 Remote anomaly code

If the boiler is connected to remote (optional), a code that indicates a boiler anomaly is displayed in the centre of the display.

The anomaly in progress is indicated by a numeric code followed by the letter **E**.

The table summarises the possible codes displayed on the remote.

Anomaly	Code
Lack of burner ignition	E01
Safety thermostat lockout	E02
General lockout	E03
Lack of circulation pump	E04
Faulty fan control system / air pressure / flue thermostat	E05
Faulty c.h. temp. probe NTC1 or NTC2	E06
Faulty d.h.w. temp. probe NTC	E07
Faulty external temp. probe NTC (with K set)	E08
Flame detection error	E11
Lack of circulation T >105°C	E14

3.9 Flue probe

The flue probe 22 and safety thermal fuse 28 indicated in Fig. 3.8 are a safety device. The flue probe 22 intervenes when the flue temperature exceeds 110°C placing the boiler in safety block switching it off.

To reset normal boiler functioning, just press the 15 (Fig. 3.6) key.

If flue probe 22 does not intervene and, therefore does not send the boiler into security lockout, thermofusibile 28 enters into function as a further safety measure.

This component sends the boiler into security lockout when the flue temperature reaches 167°C.

To restore the normal operation of the boiler, contact the Authorized Service Centre.

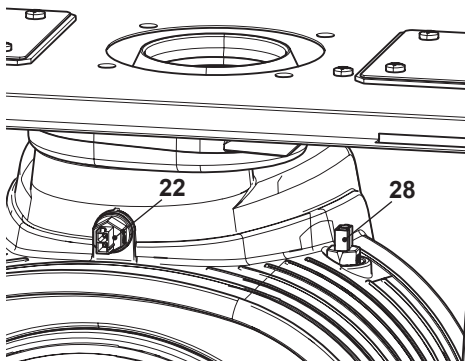


Fig. 3.8

TECHNICAL INFORMATION

4 TECHNICAL INFORMATION

4.1 Overview

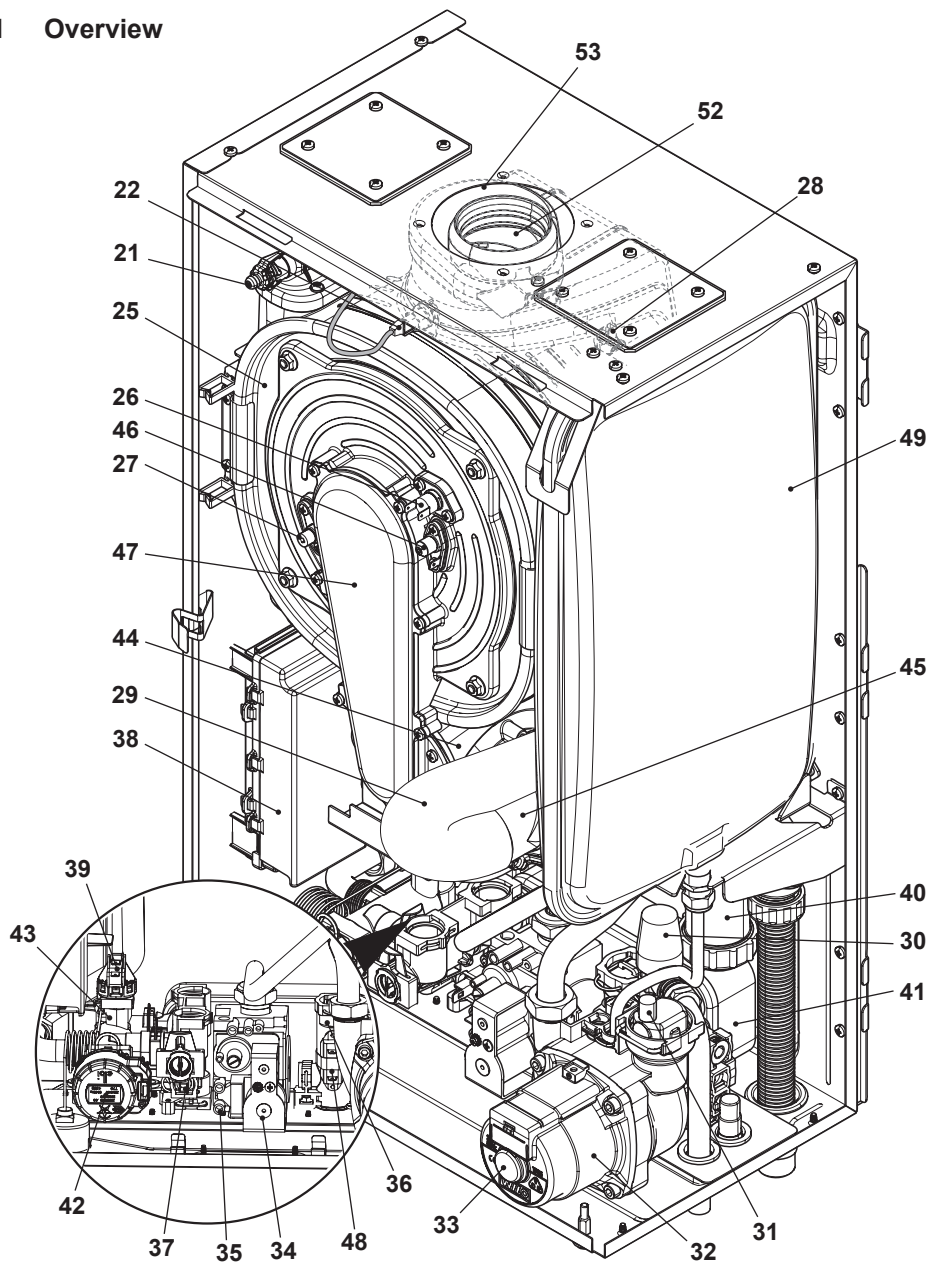


Fig. 4.1

TECHNICAL INFORMATION

4.2 Main diagram

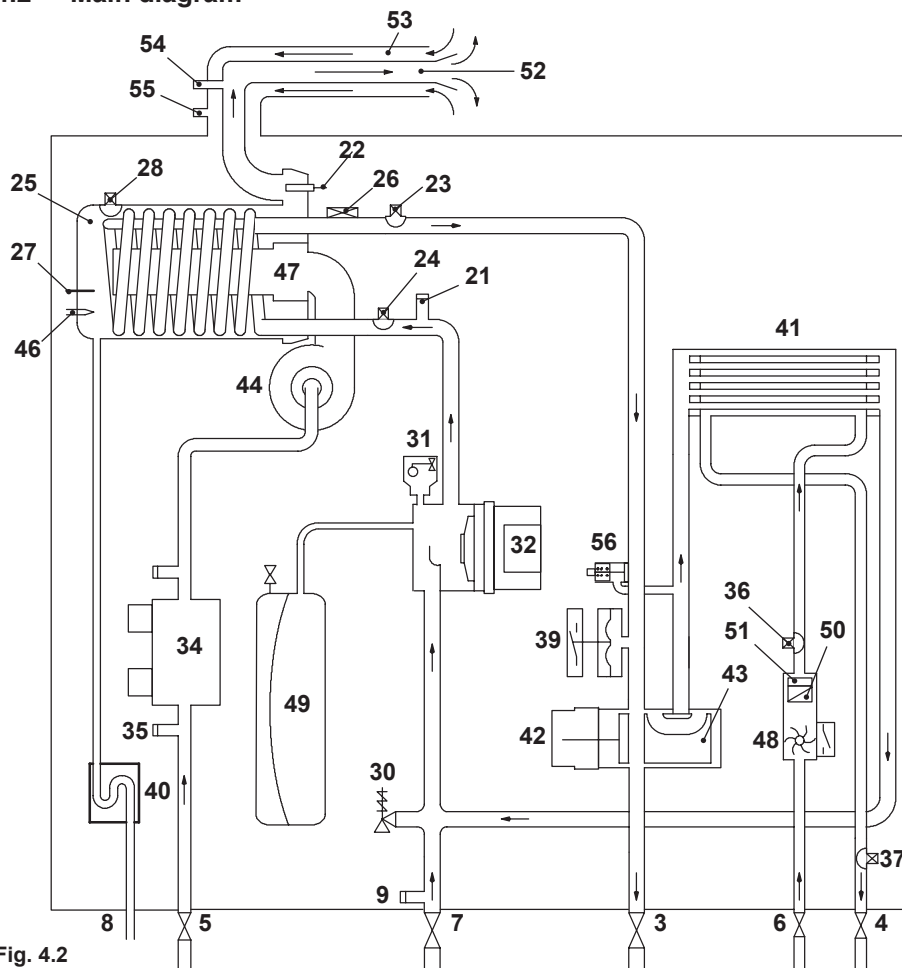


Fig. 4.2

- | | |
|---|--|
| 3 C.h. flow valve | 23 C.h. temperature probe NTC (delivery) |
| 4 D.h.w. outlet valve | 24 C.h. temperature probe NTC (return) |
| 5 Gas inlet valve | 25 Condensing heat exchanger |
| 6 D.c.w. inlet valve | 26 Safety thermostat |
| 7 C.h. return valve | 27 Flame-detecting electrode |
| 8 Condensate drain pipe | 28 Safety thermal fuse |
| 9 Main circuit drain valve | 29 Air manifold |
| 21 Condensing heat exchanger air purger valve | 30 C.h. pressure relief valve |
| 22 Flue temperature probe NTC | 31 Automatic airpurger valve |
| | 32 Pump |

TECHNICAL INFORMATION

- 33 Pump vent plug
- 34 Gas valve
- 35 Gas valve inlet test point
- 36 D.h.w. inlet temperature probe NTC
- 37 D.h.w. outlet temperature probe NTC
- 38 Control box containing:
 - External temperature probe terminal block, remote terminal block, d.h.w tank terminal block, power supply terminal block, external controls terminal block
- 39 Primary circuit pressure switch
- 40 Condensate trap
- 41 D.h.w. heat exchanger
- 42 Three-way diverter valve
- 43 Three-way electric actuator valve
- 44 Fan
- 45 Air box (air/gas mixer)
- 46 Ignition electrode
- 47 Burner
- 48 Domestic hot water flow switch
- 49 C.h. expansion tank
- 50 Domestic water circuit filter
- 51 Domestic hot water flow limiter
- 52 Flue outlet pipe
- 53 Air intake pipe
- 54 Flue exhaust sampling point
- 55 Air sampling point
- 56 By-pass valve

TECHNICAL INFORMATION

4.3 Hydraulic specifications

The hydraulic specifications represents the pressure (available head for the central heating system) as a function of the flow rate.

Models **Activ A Plus 30C - Activ A Plus 35C**

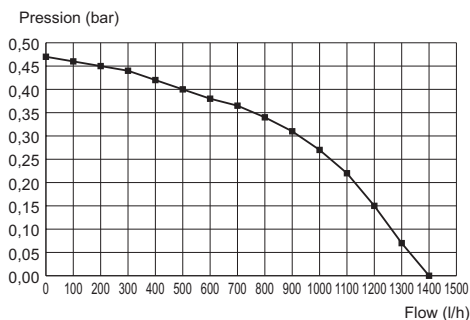


Fig. 4.3

The boiler load loss has already been removed.

Flow rate with closed thermostatic valves

The boiler is equipped with an automatic by-pass, which protects the condensing primary exchanger.

In case of excessive reduction or total stopping of water circulation in the heating plant due to the closing of thermostatic valves or circuit elements valves, by-pass ensures a minimum water circulation inside the condensing primary exchanger.

The by-pass is calibrated to a differential pressure of about 0.3-0.4 bar.

4.4 Expansion vessel

Note: this boiler is designed for operation only in a sealed central heating system.

The height difference between the pressure relief valve and the highest point in the system may be 10m at most.

For greater differences, increase the pre-load pressure in the expansion vessel and the system, when cold, by 0.1 bar for each additional 1m.

Total capacity	l	7,0
Pre-load pressure	kPa	100
	bar	1,0
Useful capacity	l	3,5
Maximum volume of water in the system *	l	109

Fig. 4.4

* Where conditions are:

- Average maximum temperature of the system is 85 °C
- Initial temperature when filling up the system is 10 °C



For systems with volumes greater than the one indicated in the above table, an additional expansion vessel must be provided.

TECHNICAL INFORMATION

4.5 Technical data Activ A Plus 30C

Heat input		
Nominal net ^(A) central heating	kW	25,0
	BTU/h	85304
Nominal net ^(A) domestic hot water	kW	30,0
	BTU/h	102364
Nominal gross ^(B) central heating	kW	27,8
	BTU/h	94687
Nominal gross ^(B) domestic hot water	kW	33,3
	BTU/h	113624
Minimum net ^(A) ch - dhw	kW	8,5
	BTU/h	29003
Minimum gross ^(B) ch - dhw	kW	9,4
	BTU/h	32194

Useful output		
Maximum (central heating)	kW	24,4
	BTU/h	83256
Maximum (domestic hot water)	kW	29,2
	BTU/h	99634
Minimum (ch - dhw)	kW	8,3
	BTU/h	28321
Maximum condensing (central heating)	kW	26,6
	BTU/h	90763
Maximum condensing (domestic hot water)	kW	31,9
	BTU/h	108847
Minimum condensing (ch - dhw)	kW	9,2
	BTU/h	31392

Central heating		
Min/Max flow temperature settings*	°C	25 - 85
Maximum pressure	kPa	250
	bar	2,5
Minimum pressure	kPa	30
	bar	0,3
Available head (in 1000 l/h)	kPa	27
	bar	0,27
Seasonal efficiency G20 ^(C)	%	88,7
Seasonal efficiency G31 ^(C)	%	89,7

* to the minimum useful output

^(A) referred to the net calorific value at 15 °C and 1013,25 mbar: G20 = 34,02 MJ/m³ - G31 = 46,34 MJ/kg

^(B) referred to the gross calorific value at 15 °C and 1013,25 mbar: G20 = 37,78 MJ/m³ - G31 = 50,37 MJ/kg

^(C) The value is used in the UK Government's Standard Assessment Procedure (SAP) for energy rating of dwellings. The test data from which it has been calculated have been certified by a notified body.

^(D) Values subject to tolerance

Domestic hot water		
Min/Max temperature settings	°C	35 - 55
Maximum pressure	kPa	1000
	bar	10
Minimum pressure	kPa	30
	bar	0,3
Flow rate minimum	l/min	2,5
Flow rate 30° rise ^(D)	l/min	16,2
Flow rate 35° rise ^(D)	l/min	13,5
Flow rate 40° rise ^(D)	l/min	11,7

TECHNICAL INFORMATION

Gas supply pressures			
Gas		Pa	mbar
Natural G20	Nom	2000	20
	Min	1700	17
	Max	2500	25
Propane G31	Nom	3000	30
	Min	2000	20
	Max	3500	35

Electrical data		
Voltage	V~	230
Frequency	Hz	50
Power consumption	W	130
Protection degree		IPX5D
External fuse rating	A	3
Internal fuse rating	A	N° 2 - 2 AF

Gas rate maximum - central heating		
Natural G20	m³/h	2,65
Propane G31	kg/h	1,94
Gas rate maximum - domestic hot water		
Natural G20	m³/h	3,18
Propane G31	kg/h	2,33
Gas rate minimum - ch dhw		
Natural G20	m³/h	0,90
Propane G31	kg/h	0,66

Flue design		
Boiler type		
B23P C13 C33 C43 C53 C63 C83		
∅ Coaxial	mm	60/100
∅ Twin split pipes	mm	80/80
∅ Roof	mm	80/125
Nominal heat flow rate ^{(A) (E)}	kW	25,0
Exhaust temperature ^(E)	°C	74,0
Mass flow rate ^(E)	kg/s	0,0106

Gas restrictors references	∅ mm /100	
Natural G20	690	
Propane G31	505	
Air/gas mixer restrictors		
Natural G20	Fuch-sia	Blu
Propane G31	Fuch-sia	Blu

Flue gas figures		
Nominal heat input ^{(A) (E)}	kW	25,0
CO ₂ content with gas G20	%	9,2 - 9,8
O ₂ content with gas G20	%	3,9
CO content with gas G20	ppm	75,0
Exhaust temperature ^(E)	°C	74,0
NOx class		5
Weighted NOx	ppm	31

^(E) Values refer tests with a 1 m flue working at the nominal heat input

TECHNICAL INFORMATION

CO₂ contents - central heating		
Nominal heat input ^{(A) (E)}	kW	25,0
CO ₂ content with gas G20 (range min - max)	%	9,2 - 9,8
CO ₂ content with gas G31 (range min - max)	%	9,9 - 10,8
Minimum heat input ^{(A) (E)}	kW	8,3
CO ₂ content with gas G20 (range min - max)	%	8,7 - 9,3
CO ₂ content with gas G31 (range min - max)	%	9,4- 10,4

CO₂ contents - domestic hot water		
Nominal heat input ^{(A) (E)}	kW	30,0
CO ₂ content with gas G20 (range min - max)	%	9,2 - 9,8
CO ₂ content with gas G31 (range min - max)	%	9,9 - 10,8
Minimum heat input ^{(A) (E)}	kW	8,3
CO ₂ content with gas G20 (range min - max)	%	8,7 - 9,3
CO ₂ content with gas G31 (range min - max)	%	9,4- 10,4

Other specifications		
Height	mm	700
Width	mm	400
Depth	mm	290
Weight (dry)	kg	37,0

TECHNICAL INFORMATION

4.6 Technical data Activ A Plus 35C

Heat input		
Nominal net ^(A) central heating	kW	30,0
	BTU/h	102364
Nominal net ^(A) domestic hot water	kW	34,0
	BTU/h	116013
Nominal gross ^(B) central heating	kW	33,3
	BTU/h	113624
Nominal gross ^(B) domestic hot water	kW	37,7
	BTU/h	128774
Minimum net ^(A) ch - dhw	kW	8,5
	BTU/h	29003
Minimum gross ^(B) ch - dhw	kW	9,4
	BTU/h	32194

Useful output		
Maximum (central heating)	kW	29,5
	BTU/h	100522
Maximum (domestic hot water)	kW	33,4
	BTU/h	113965
Minimum (ch - dhw)	kW	8,3
	BTU/h	28307
Maximum condensing (central heating)	kW	32,1
	BTU/h	109632
Maximum condensing (domestic hot water)	kW	36,4
	BTU/h	124202
Minimum condensing (ch - dhw)	kW	9,2
	BTU/h	31289

Central heating		
Min/Max flow temperature settings*	°C	25 - 85
Maximum pressure	kPa	250
	bar	2,5
Minimum pressure	kPa	30
	bar	0,3
Available head (in 1000 l/h)	kPa	27
	bar	0,27
Seasonal efficiency G20 ^(C)	%	88,6
Seasonal efficiency G31 ^(C)	%	89,6

* to the minimum useful output

^(A) referred to the net calorific value at 15 °C and 1013,25 mbar: G20 = 34,02 MJ/m³ - G31 = 46,34 MJ/kg

^(B) referred to the gross calorific value at 15 °C and 1013,25 mbar: G20 = 37,78 MJ/m³ - G31 = 50,37 MJ/kg

^(C) The value is used in the UK Government's Standard Assessment Procedure (SAP) for energy rating of dwellings. The test data from which it has been calculated have been certified by a notified body.

^(D) Values subject to tolerance

Domestic hot water		
Min/Max temperature settings	°C	35 - 55
Maximum pressure	kPa	1000
	bar	10
Minimum pressure	kPa	30
	bar	0,3
Flow rate minimum	l/min	2,5
Flow rate 30° rise ^(D)	l/min	19,2
Flow rate 35° rise ^(D)	l/min	15,6
Flow rate 40° rise ^(D)	l/min	13,5

TECHNICAL INFORMATION

Gas supply pressures			
Gas		Pa	mbar
Natural G20	Nom	2000	20
	Min	1700	17
	Max	2500	25
Propane G31	Nom	3000	30
	Min	2000	20
	Max	3500	35

Electrical data		
Voltage	V~	230
Frequency	Hz	50
Power consumption	W	135
Protection degree		IPX5D
External fuse rating	A	3
Internal fuse rating	A	N° 2 - 2 AF

Gas rate maximum - central heating		
Natural G20	m³/h	3,17
Propane G31	kg/h	2,33
Gas rate maximum - domestic hot water		
Natural G20	m³/h	3,60
Propane G31	kg/h	2,64
Gas rate minimum - ch dhw		
Natural G20	m³/h	0,90
Propane G31	kg/h	0,66

Flue design		
Boiler type		
B23P C13 C33 C43 C53 C63 C83		
∅ Coaxial	mm	60/100
∅ Twin split pipes	mm	80/80
∅ Roof	mm	80/125
Nominal heat flow rate ^{(A) (E)}	kW	30,0
Exhaust temperature ^(E)	°C	81,6
Mass flow rate ^(E)	kg/s	0,0127

Gas restrictors references	∅ mm /100	
Natural G20	690	
Propane G31	505	
Air/gas mixer restrictors		
Natural G20	Fuch-sia	Blu
Propane G31	Fuch-sia	Blu

Flue gas figures		
Nominal heat input ^{(A) (E)}	kW	30,0
CO ₂ content with gas G20	%	9,2 - 9,8
O ₂ content with gas G20	%	3,9
CO content with gas G20	ppm	160,0
Exhaust temperature ^(E)	°C	81,6
NO _x class		5
Weighted NO _x	ppm	38

^(E) Values refer tests with a 1 m flue working at the nominal heat input

TECHNICAL INFORMATION

CO₂ contents - central heating		
Nominal heat input ^{(A) (E)}	kW	30,0
CO ₂ content with gas G20 (range min - max)	%	9,2 - 9,8
CO ₂ content with gas G31 (range min - max)	%	9,9 - 10,8
Minimum heat input ^{(A) (E)}	kW	8,3
CO ₂ content with gas G20 (range min - max)	%	8,7 - 9,3
CO ₂ content with gas G31 (range min - max)	%	9,4- 10,4

CO₂ contents - domestic hot water		
Nominal heat input ^{(A) (E)}	kW	34,0
CO ₂ content with gas G20 (range min - max)	%	9,3 - 9,9
CO ₂ content with gas G31 (range min - max)	%	10,0 - 10,9
Minimum heat input ^{(A) (E)}	kW	8,3
CO ₂ content with gas G20 (range min - max)	%	8,7 - 9,3
CO ₂ content with gas G31 (range min - max)	%	9,4- 10,4

Other specifications		
Height	mm	700
Width	mm	400
Depth	mm	290
Weight (dry)	kg	37,0

GENERAL REQUIREMENTS

5 GENERAL REQUIREMENTS

Our Company supports the Benchmark initiative. The Benchmark Log Book is located at the back of this manual and should be completed by the Installing/Commissioning Gas Safety Registered Engineer and handed over to the User for future reference by other visiting Engineers. Also included is the Service Interval Record card that should be completed by the Service Engineer following the annual service maintenance of the boiler and system.

For Ireland (IE), it is necessary to complete a “Declaration of Conformity” to indicate compliance to I.S.813.2002.

This appliance must be installed by a competent person in accordance with the Gas Safe (installation & Use) Regulations.

5.1 Related documents

The installation of this appliance must be in accordance with the relevant requirements of the current Gas Safe (Installation & Use) Regulations, the Local Building Regulations, the current I.E.E. Wiring Regulations, the Regulations and by-laws of the local water undertaking, and in Scotland, in accordance with the Building Standards (Scotland) Regulation. Health and safety document n° 635 “Electricity at work regs.”.

It should also be in accordance with the British Standard Codes of Practice:

In Ireland (IE). The installation must be carried out by a Competent Person and installed in accordance with the current edition of I.S.813.2002 “Domestic Gas Installations” the current Building Regulations and reference should be made to the current ETCl rules for electrical installations.

5.2 Location of appliance

The appliance may be installed in any room or internal space, although particular attention is drawn to the requirements of the current I.E.E. Wiring Regulations, and in Scotland, the electrical provisions of the Building Regulations applicable in Scotland, with respect to the installation of the combined appliance in a room containing a bath or shower.

For Ireland (IE), reference should be made to the current edition of I.S.813.2002 and the current ETCl rules for electrical installations.

Where a room-sealed appliance is installed in a room containing a bath or shower, any electrical switch or appliance control, utilising mains electricity should be so situated that it cannot be touched by a person using the bath or shower.

The location must permit the provision of an adequate flue and termination.

For unusual locations special procedures may be necessary and BS 6798 gives detailed guidance on this aspect.

A compartment used to enclose the appliance must be designed specifically for this purpose. This appliance is not suitable for external installation.

5.3 Flue system

The provision for satisfactory flue termination must be made as described in BS 5440 part 1.

For Ireland (IE), refer to I.S.813.2002.

The appliance must be installed so that the flue terminal is exposed to external air.

It must not be installed so that the terminal

GENERAL REQUIREMENTS

discharges into an other room or space as an outhouse or lean-to. It is important that the position of the terminal allows a free passage of air across at all times.

The terminal should be located with due regard for the damage or discoloration that might occur to building products in the vicinity.

In cold and/or humid weather water vapour may condense on leaving the flue terminal; the effect of such "steaming" must be considered.

Plumbing may easily occur at the terminal. Where possible, terminal position which could cause a nuisance should be avoided. The minimum acceptable spacing from the terminal to obstructions and ventilation openings are specified in Fig. 5.1.

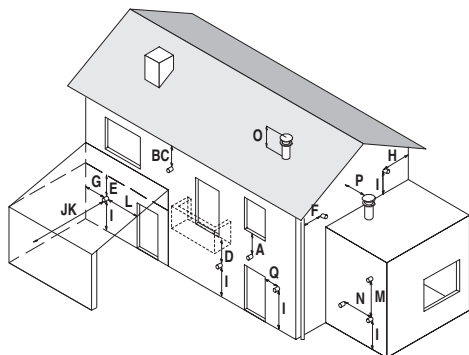


Fig. 5.1

Terminal position	mm
A Directly below the window or other opening	300
B Below gutters, soil pipes or drain pipes	75
C Below eaves	200
D Below balconies*	600
E Below car port roof	NO
F From vertical drain pipes and soil pipes	150
G From internal corners**	450

H From external corners	300
I Above ground or balcony level***	300
J From a next door boundary	2500
K From a terminal facing a terminal	2500
L From an opening in the car port (e.g. door, window) into dwelling	NO
M Vertically from a terminal in the same wall	1500
N Horizontally from a terminal in the same wall	300
O Above the roof pitch with roof slope less than or equal to 30°	350
O Above the roof pitch with roof slope more than 30°	600
P From wall face	600
Q From, above or to side of an opening	300

* Wherever practicable to do so, the flue should be extended beyond the perimeter of the balcony

** Consideration should be given to adding protection against condensate to the adjacent structure

*** Wall terminals with horizontal discharge less than 2.5 m from a car parking space and less than 2,1 m above the ground.

Wall terminals less than 2,1 m above the ground with horizontal discharge of the flue products across a public footway, or a frequently used private access route, or a patio (hard surface area).

5.4 Gas supply

The Gas meter is connected to the service pipe by the local gas region or a local gas region contractor.

If the gas supply for the boiler serves other appliances ensure that an adequate supply

GENERAL REQUIREMENTS

is available both to the boiler and the other appliance when they are in use at the same time.

Pipework must be of adequate size. Pipes of a smaller size than the boiler inlet connection should not be used.

Installation pipes should be fitted in accordance with BS 6891 and the complete installation should be tested for tightness.

For Ireland (IE), refer to I.S.813.2002.

5.5 Air supply

The room in which the boiler is installed does not require a purpose provided air vent.

5.6 Ventilation

If installed in a cupboard or compartment, it is not necessary to provide additional ventilation for cooling for this particular product. However consideration must be given to clearance requirements for maintenance (section "Precautions for installation" to page 44) and under no circumstances must stored articles be allowed to come into contact with the boiler or flue pipe.

5.7 Condensate drain

Ensure that the condensate discharge complies with the national or local regulations in force.

The condensate pipe must be fitted in accordance with Building Regulations.

Drain pipe material should be resistant to acid as the condensate is slightly acid with a pH less than 6.5.

The boiler includes a trap (30 on page 28) that prevents the combustion products entering the drain.

The boilers incorporate a condensate trap

with a 75 mm seal to comply with BS 6798: 2008.

The schematic diagrams of possible connections are given in Fig. 5.2 and Fig. 5.3.

The length of the condensate pipe should be kept to a minimum, any external pipe should not be more than 3 m in 32 mm pipe and insulated to prevent freezing.

To avoid condensate being trapped:

- the drain pipe should be run with a fall of at least 2.5° (45 mm/m) away from the boiler;
- the number of bends and joints should be kept at minimum;
- the drain pipe should be adequately fixed to prevent pipe sagging.

If a part of the drainpipe runs externally this part should be kept as short as possible and protected to reduce the risk of freezing.

Connection of condensate drainage pipe to internal soil and vent stack.

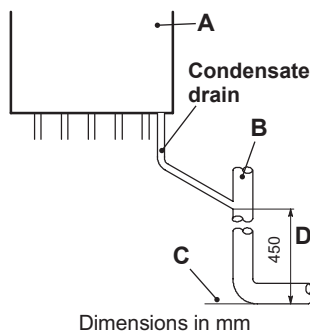


Fig. 5.2

- A Boiler
- B Internal soil and vent stack
- C Invert
- D 450 mm up to three storeys

GENERAL REQUIREMENTS

Connection of condensate drainage pipe downstream of a sink waste trap

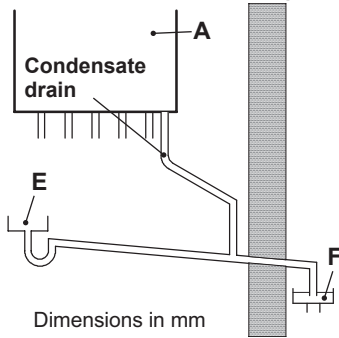


Fig. 5.3

A Boiler

E Sink

F Open end of condensate drainage pipe direct into gully below grating but above water level

5.8 Water circulation (c.h.)

Detailed recommendations are given in BS 6798, BSEN 12828: 2003, BSEN 12831: 2003 & BSEN 14446: 2004; the following notes are given for general guidance. For Ireland (IE), refer to I.S.813.2002.

Pipework

Copper tubing to BSEN 1057 is recommended for water pipes. Jointing should be either with capillary soldered or with compression fittings.

Where possible pipes should have a gradient to ensure air is carried naturally to air release points and water flows naturally to drain taps.

The appliance has a built-in automatic air release valve, it should be ensured as far as possible that the appliance heat exchanger is not a natural collecting point for air.

Except where providing useful heat, pipes should be insulated to prevent heat loss and

to avoid freezing.

Particular attention should be paid to pipes passing through ventilated spaces in roofs and under floors.

By-pass

The appliance includes an automatic by-pass valve which protects the main heat exchanger in case of reduced or interrupted water circulation through the heating system due to the closing of thermostatic valves or cock-type valves within the system.

The by-pass is calibrated to assure a minimum flow of 200-300 lts/hr through the main heat exchanger.

If you are installing a system that includes thermostatic radiator valves (TRV) and/or small bore (8-10 mm) it may be necessary to fit an external by-pass to facilitate correct operation of the boiler.

The fitting of an external bypass helps to prevent and limit system noise.

Air release points

These must be fitted at tall high points where air will naturally collect and must be sited to facilitate complete filling of the system.

Expansion vessel

The appliance has an integral sealed expansion vessel to accommodate the increase of water volume when the system is heated.

Refer to Fig. 4.4 on page 31 for its technical data.

If the heating circuit has an unusually high water content, calculate the total expansion and add an additional sealed expansion vessel with adequate capacity.

Mains water feed: central heating

There must be no direct connection to the mains water supply even through a non re-

GENERAL REQUIREMENTS

turn valve, without the approval of the Local Water Authority.

Mains water feed: hot water supply

The domestic section of the boiler is designed to withstand an internal domestic water pressure of 10 bar. Where it is likely that the mains domestic water pressure may exceed 5 bar, it is possible due to internal "water hammer" effects that the pressure within the domestic system can increase to a level in excess of the 10 bar limit.

In these circumstances it is therefore recommended that a 3 bar pressure reducing valve be fitted to the incoming mains water supply and a mini expansion vessel installed on the domestic circuit.

These devices will protect the boiler and the domestic system from damage due to excessive domestic water pressure.

Filling

A method for initially filling the system and replacing water lost during servicing must be provided and it must comply with local water authority regulations.

The correct method is shown in Fig. 5.4.

The temporary connection must be removed immediately after filling.

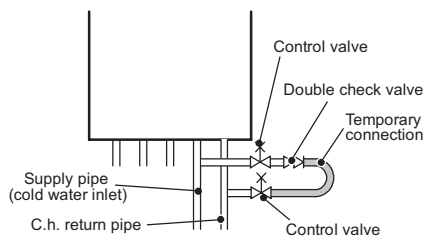


Fig. 5.4

The installer should ensure that no leaks exist either inside the boiler or on the system as frequent filling of the system could cause

premature scaling of the heat exchanger.

5.9 Domestic water

The domestic water installation must be in accordance with the relevant recommendations of BS 5546. Copper tubing to BS EN 1057 is recommended for water carrying pipework and must be used for pipework carrying potable water.

For Ireland (IE), refer to I.S.813.2002.

5.10 Water treatment

C.h. circuit

Where a new boiler is fitted to a new system with either plastic or copper pipes, it is important the system is fully flushed, on completion, to ensure flux residues, swarfs, oils and other installation debris is removed.

Where a new boiler is fitted to an existing system, it is important the debris from the existing system is fully removed in order to ensure the efficiency of the new appliance is maintained.

Details on flushing procedure are given in the section "Initial filling of the system" to page 58 of this manual.

D.h.w. circuit (scale protection)

In areas where the water is 'hard' (i.e. more than 200 ppm total hardness as defined by BS 7593: 2006 Table 2) it is recommended that a proprietary scale-reducing device is fitted into the boiler cold supply, within the requirements of the local water company.

5.11 Electrical supply

Warning, this appliance must be earthed.

External wiring to the appliance must be

GENERAL REQUIREMENTS

carried out by a competent person and be in accordance with the current I.E.E. Regulations and any local regulations which apply. Reference should be made to the current ETCI rules for electrical installations.

For Ireland (IE), refer to I.S.813.2002.

The boiler is supplied for connection to a 230 V~ 50 Hz supply. The supply must be fused at 3A.

The method of connection to the electricity supply must facilitate complete electrical isolation of the appliance by the use of a fused spur isolation switch. Its installation permits a complete switching off in the conditions of the overvoltage category III. Alternatively it can be used a 3A fused three pin plug and unswitched shuttered socket outlet both complying with BS 1363.

The point of connection to the electricity supply must be readily accessible and adjacent to the appliance, except where the appliance is installed in a bathroom, this must then be sited outside the bathroom.

INSTALLATION

6 INSTALLATION

6.1 Warnings



The use of gas appliances is subject to statutory control; it is essential to observe the current regulations and laws in force (see also chapter 5).

The appliance must discharge combustion products directly outside or into a suitable exhaust duct designed for this purpose. Combustion products must be discharged using original flue kits only, since they are integral parts of the boiler.

The appliance is not suitable for receiving condensate coming from the combustion products evacuation system.

Before installing the boiler on an existing c.h. system, flush it out thoroughly before fitting the boiler.

This procedure is to remove the presence of any residues or impurities that could compromise good functioning of the boiler.

After washing it is necessary to treat the plant.

The conventional warranty does not cover any problems deriving from failure to comply with such provisions.

For Propane, the appliance must also conform with the requirements of the distributors and comply with current Regulations and laws in force.

The safety relief valve and the condensate drain must be connected to a suitable drain, or discharge in a safe manner.

The electrical wiring must conform with current Regulations, in particular:

- the boiler must be earthed using the correct bonding clamp.
- a fused spur isolation switch, must be installed near to the boiler that allows complete disconnection in overvoltage III category conditions.

Refer to section "Electric connection" to page 51 in this chapter for the electrical connections.

In no circumstances will the manufacturer be held responsible if the warnings and instructions contained in this manual have not been complied with.

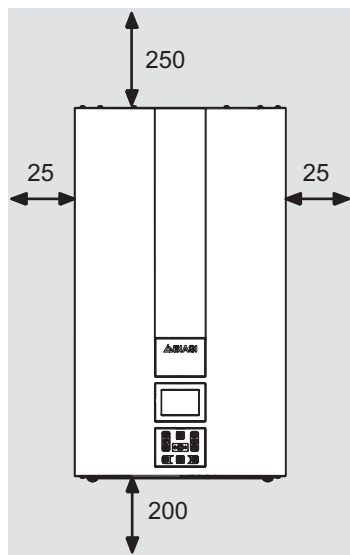
6.2 Precautions for installation



The following prescriptions must be respected for installation:

- The boiler must be fixed to a strong wall.
- The dimensions for the exhaust fume duct (detailed in section "Choice of flu" to page 48) and the correct procedures for installing the duct, depicted in the instruction leaflet included with the flue kit, must be complied with during installation.
- To allow maintenance procedures it is necessary to leave the minimum gaps indicated in Fig. 6.1.

INSTALLATION



All measures are in mm

Fig. 6.1

- When installing the boiler in a cupboard, cover or alcove allow at least 5 mm permanent clearance from the front face of the boiler. Also ensure sufficient clearance to allow free access for servicing and the lowering of the front control panel.
- If the boiler is installed outside, cover the appliance to protect it against the elements and add some special anti-freeze (neutralised) to the c.h. system.
- Before installing the boiler on an existing c.h. system, flush it out thoroughly before fitting the boiler, so as to remove muddy deposits.

It is advisable to equip the system with a sediment filter, or use a water-treatment product in the circulating water.

The latter option in particular, not only cleans out the system, but also has an anti-corrosive effect by promoting formation of a

protective skin on metal surfaces and neutralising gases present in the water.

We recommend the use of a suitable universal inhibitory to protect the c.h. system from corrosion.

6.3 Installing the bracket

Precautions

Before mounting the bracket, check that the dimensions for fitting the exhaust fume duct are complied with (refer to the leaflet included with the flue kit, packed separately).

Utilise the paper template supplied with the boiler to determine the fixing position for the bracket and boiler. Securely mount the bracket to the wall using appropriate fixings suitable for the type of wall construction and capable of supporting the total (wet) load. Refer to the weight given in the technical data tables specific for each model.

INSTALLATION

6.4 Overall dimensions

The boiler respects the following dimensions:

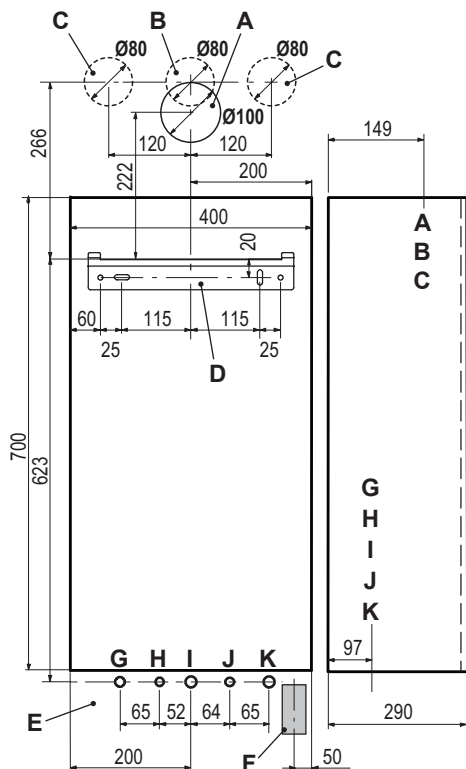


Fig. 6.2

- A Flue outlet / air intake pipe (co-axial \varnothing 100/60)
- B Flue outlet pipe \varnothing 80 mm (twin kit)
- C Air intake pipe \varnothing 80 mm (twin kit)
- D Bracket
- E Electric connections area
- F Condensate drain connection area
- G C.h. flow
- H D.h.w. outlet
- I Gas
- J D.c.w. inlet
- K C.h. return

6.5 Joints

The boiler uses the following fittings:

Functions	Pipe sizes (o.d)
Gas, c.h. return, c.h. flow	\varnothing 22
D.c.w. inlet	\varnothing 15
D.h.w. outlet	\varnothing 15
Pressure relief valve	\varnothing 15
Condensate drain	\varnothing 25 (plastic)

sizes in mm o.d.

Condensate drain to be realised with min. pipe \varnothing 30 mm

6.6 Mounting the boiler

- Assemble the pre-piping kit bracket by screwing the four screws "L" Fig. 6.3.
- Fix the water valves "O" ($\frac{1}{2}$ ") using the forks "M" to the prepiping kit bracket.
- Fix the c.h. valves "N" and the gas cock "P" with the remaining forks "M" to the prepiping kit bracket.
- Mount the bracket of the prepiping kit to the wall (See also section "Installing the bracket" pag. 45)
- Fix the \varnothing 22 mm copper pipes "Q – U" to the valves "N – P" using the $\frac{3}{4}$ " gaskets and the \varnothing 15 mm copper pipes "R – T" to the valves "O" using the $\frac{1}{2}$ " gaskets.
- Take the protective caps off the boiler pipework.
- Thoroughly clean the connections.
- Mount the boiler on its bracket.
- Fix the c.h. valves "N" and gas cock "P" ($\frac{3}{4}$ "") to the boiler using the $\frac{3}{4}$ " gaskets
- Fix the domestic water inlet and outlet valves "O" ($\frac{1}{2}$ ") to the boiler using the $\frac{1}{2}$ " gaskets.

INSTALLATION

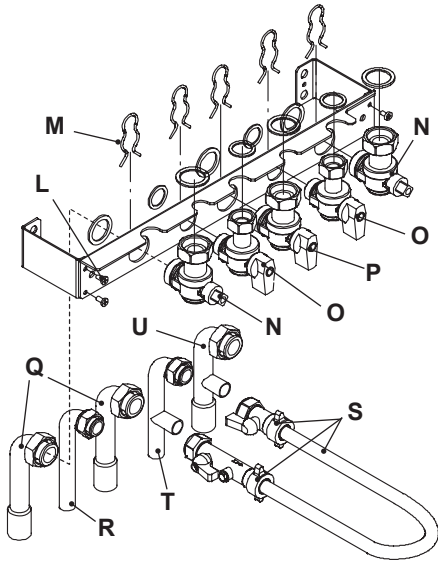


Fig. 6.3

- Connect the pipe 10 (Fig. 6.4) from the pressure relief valve to the safety discharge pipework.
- Fit the condensate drain 8 (Fig. 6.4) in to the drainage pipework.
- See also section 5.7 in this manual.

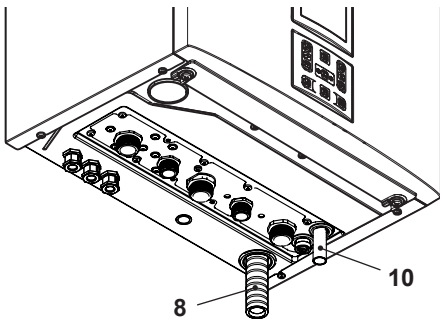


Fig. 6.4

- Fit the filling loop "S" to the pipes d.c.w. inlet "T" and c.h. return "U". See also section "Water circulation (c.h.)" pag. 41 in this manual.

6.7 Fitting the flue system

For a correct installation of the flue pipe, refer to the sheet provided together with the pre-selected kit.

The horizontal routes of the flue pipes must incline about 1.5 degrees (25 mm per meter); therefore the terminal must be higher than the intake at the boiler.

The single coaxial pipe with the terminal must be fitted horizontal as the drainpipe is already angled with the correct incline.

CORRECT system for installing the wall flue

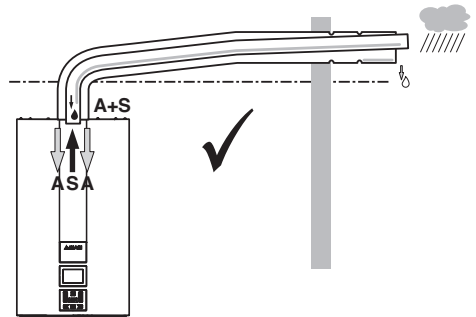


Fig. 6.5

- A = air intake
- S = flue exhaust

INSTALLATION

CORRECT system for installing

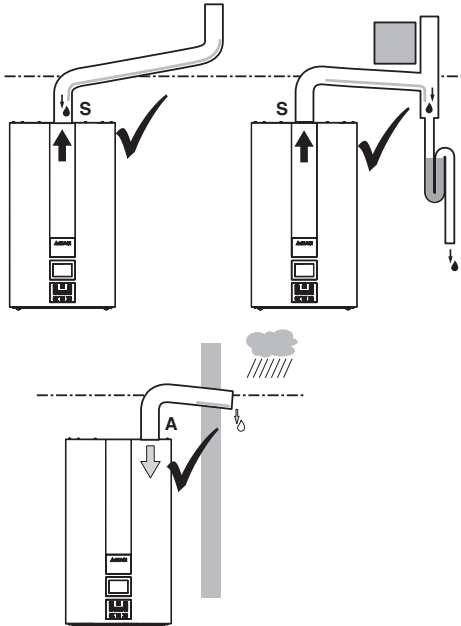


Fig. 6.6
A = air intake
S = flue exhaust

INCORRECT system for installing

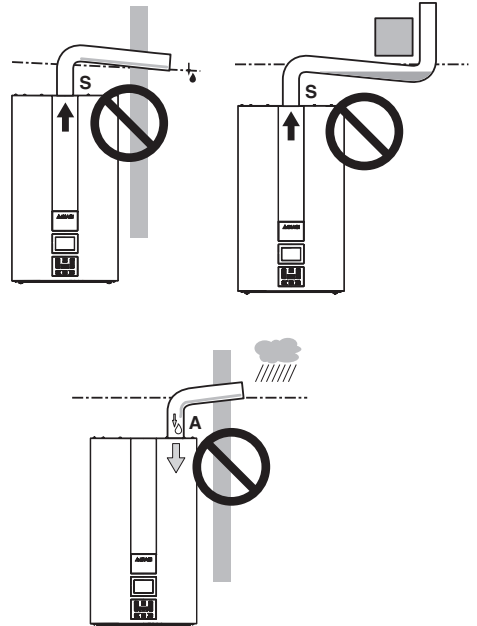


Fig. 6.7
A = air intake
S = flue exhaust

6.8 Choice of flu

The flue exhaust/air intake can be installing in the mode:

C13 C33 C53 C63

Refer to the sheet provided with the pre-selected kit, in separate packaging.

The horizontal routes of the flue pipes must incline about 1.5 degrees (25 mm per meter).



The terminal must be higher than the infeed boiler side.

The single coaxial pipe with terminal must be horizontal because the drain pipe is al-

INSTALLATION

ready angled.

The following kits to be connected to the boiler are available:

Wall flue exhaust kit (Fig. 6.8 A)

Type C₁₃

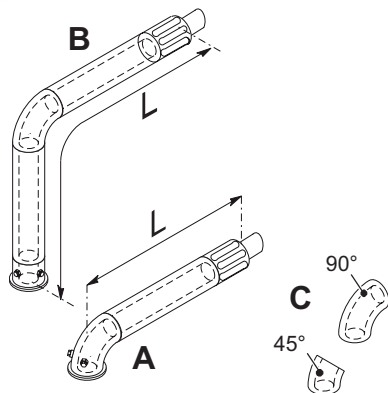


Fig. 6.8

Coaxial pipe \varnothing 60/100 mm with a nominal length of 915 mm.

This kit allows the flues to be exhausted in the rear wall or at the side of the boiler.

The minimum length of the pipe must be no less than 0.5 m, whilst the maximum with the aid of extensions must not exceed 10 m.

Vertical flue exhaust kit with 90° bend (Fig. 6.8 B)

Coaxial pipe \varnothing 60/100 mm.

This kit allows the boiler exhaust axis to be lifted by 635 mm.

The length must be no less than 0.5 m, whilst the maximum with the aid of extensions must not exceed 10 m in horizontal and however, the terminal must always exhaust horizontally.

Additional bends at 45° or 90° (Fig. 6.8 C)

Coaxial bends \varnothing 60/100 mm.

These bends when used with the pipe reduce the maximum length of the flue pipe by:

For the bend of 45° loss	0,5 m
For the bend of 90° loss	1 m

Exhaust intake split pipes kit \varnothing 80 mm (Fig. 6.9) - (Fig. 6.10)

This kit allows the flue exhaust to be separated from the air intake.

The terminals can be inserted in the relevant chimneys planned for such purpose, or discharge fumes or pick up air directly from the wall.

N.B: The air intake and the flue outlet must not terminate on opposite sides of the building (EN 483).

Type C₁₃

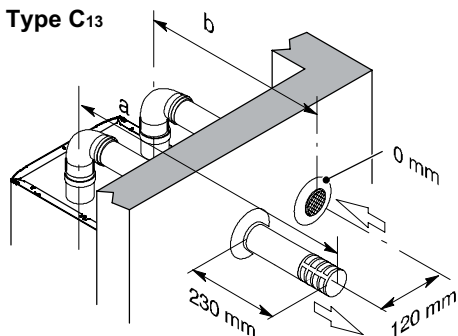


Fig. 6.9

The minimum length of the pipes must be less than 0.5 m, whilst the maximum sum of routes A + B that can be realised with the aid of extensions must not exceed 40 m.

Bends of \varnothing 80 mm at 90° and at 45° are available that reduce the maximum total length of the pipes by:

INSTALLATION

For the bend of 45° loss	0,9 m
For the bend of 90° loss	1,65 m

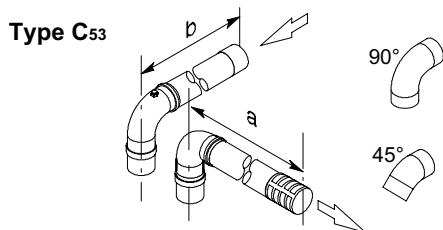


Fig. 6.10

C₆₃ TYPE

If using pipes and terminals by other manufacturers (Type C₆₃), it is necessary that these are approved and in the case of flue pipes, it is necessary to use materials compatible with condensation products.

During the pipes dimensioning phase, take into consideration the static pressure residue of the fan:

Useful static pressure at nominal heat input	30 kW	90	Pa
	35 kW	90	Pa
Overheated flue	30 kW	98	°C
	35 kW	98	°C
Maximum recirculation of CO ₂ in the suction duct	30 kW	0,95	%
	35 kW	1,00	%

Roof flue exhaust kit (Fig. 6.11)

Coaxial pipe Ø 80/125 mm with a nominal height of 0.96 m.

This kit exhausts directly to the roof.

Type C₃₃

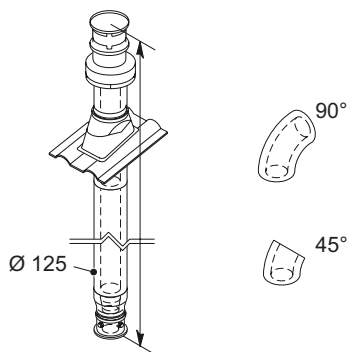


Fig. 6.11

Extensions are available for reaching the maximum height.

Its maximum height with extension is 10 m. Bends of Ø 80 mm at 90° and at 45° are available that reduce the maximum total length of the pipes by:

For the bend of 45° loss	0,5 m
For the bend of 90° loss	1 m

Plumbing kit (Fig. 6.12)

Co-axial Ø 60/100 mm + vertical part Ø 60 mm (flue outlet).

This kit allows the combustion air to be sucked up and expel the burnt gases directly to the outside through a telescopic co-axial flue (450-950 mm).

INSTALLATION

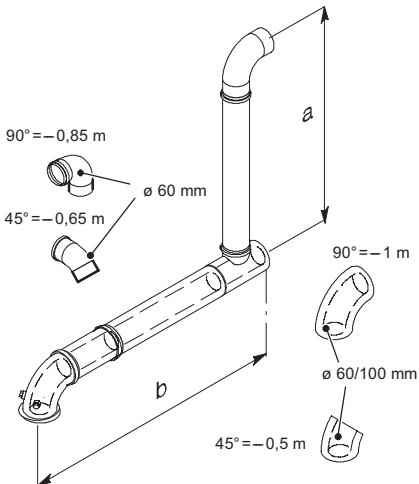


Fig. 6.12

In the last section, the fumes are expelled through a vertical section.

Extensions and elbows can be added to extend the kit's length.

Maximum equivalent length " $a+b$ " (Fig. 6.12) of 15 metres can be achieved utilising extensions.

Each additional elbow reduces the overall acceptable length of the flue system as follows:

45° (60/100 mm) reduce length by 0,5 m.

90° (60/100 mm) reduce length by 1 m.

45° (60 mm) reduce length by 0,65 m.

90° (60 mm) reduce length by 0,85 m.

6.9 Electric connection

- Unscrew screws "V" and remove the front panel "W" by pulling it and pushing it towards the top so that it is freed from the top housing Fig. 6.13.

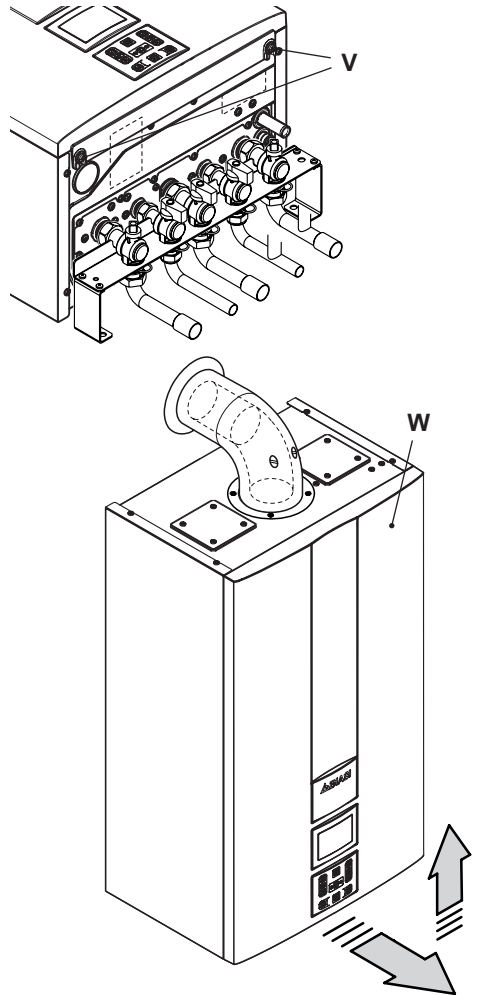


Fig. 6.13

- Identify the terminal block cover lid "X" (Fig. 6.14) and open it.

INSTALLATION

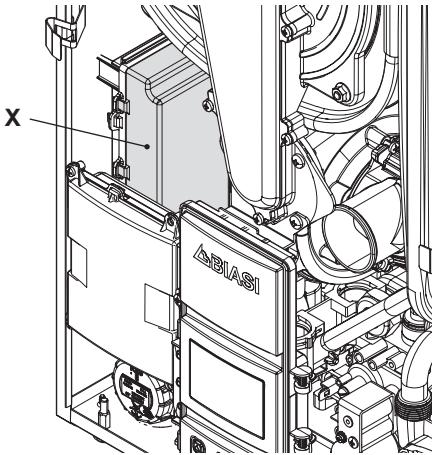


Fig. 6.14

Electric power supply connection

- Connect the electric power supply cable coming from the fused spur isolation switch to the power supply terminal block of the boiler Fig. 6.15 keeping the same connections for the live (brown wire) and the neutral (blue wire). External 3A fuse or fused plug with same current rating is recommended.
- **Do not connect live wires to terminals to which the room thermostat must be connected.**
- **Connect the earth cable (yellow/green) to an effective earth plant.**



The earth cable must be the longest of the electric power supply cables.

The appliance's electric power supply cable or wire must have a section no less than 0.75 mm², it must be kept away from hot or sharp parts and however conform to the technical regulations in force.

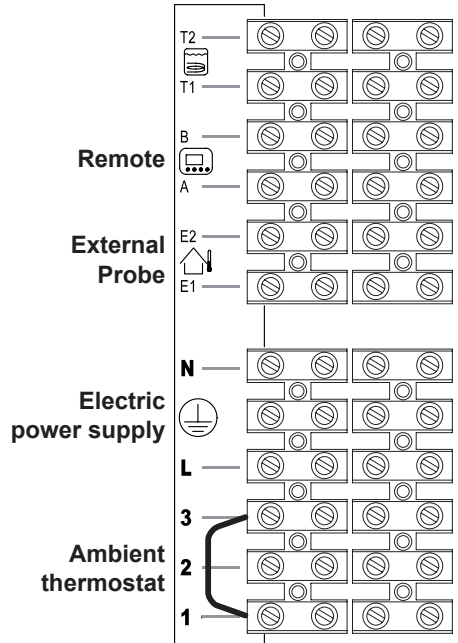


Fig. 6.15

The route of the boiler and ambient thermostat's electric power supply cable or wires must follow the route indicated in Fig. 6.16.

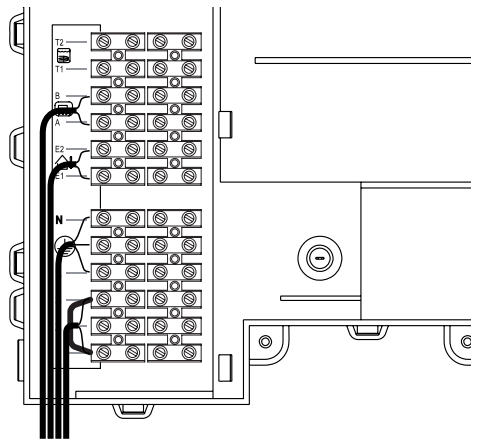


Fig. 6.16

INSTALLATION

Allow the cables to exit the boiler by using the relevant cable clamps Y (Fig. 6.17).

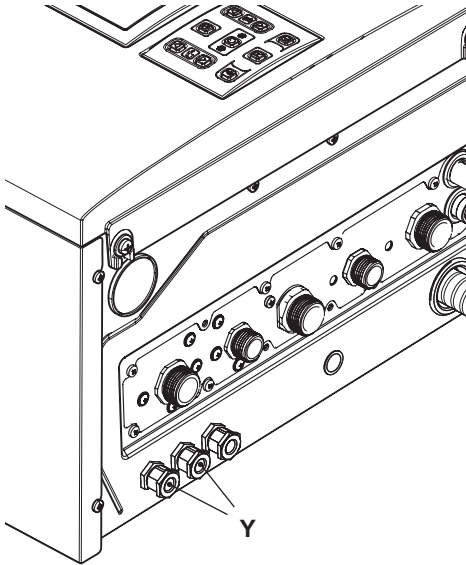


Fig. 6.17

6.10 Connecting the room thermostat or zone valves

Use the clamps indicated in Fig. 6.15 to connect the ambient thermostat.

Remove the electric jumper present between "1 and 3" when connecting any type of ambient thermostat.

The electric cables of the ambient thermostat are inserted between clamps "1 and 3" as in Fig. 6.18 or Fig. 6.19 or Fig. 6.20.



Be careful not to connect powered cables on clamps "1 and 3".

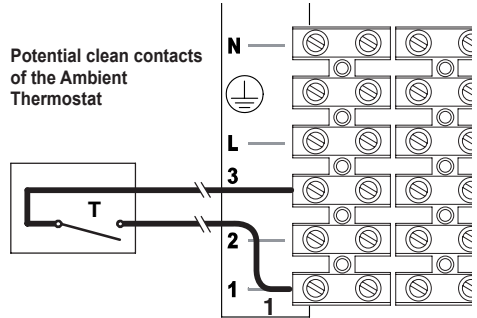


Fig. 6.18

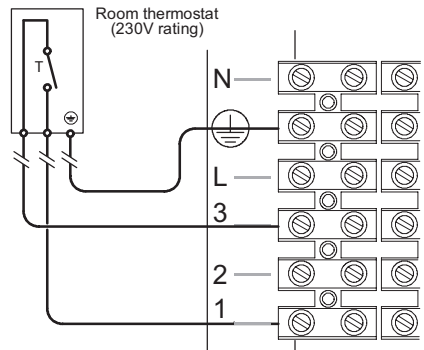


Fig. 6.19

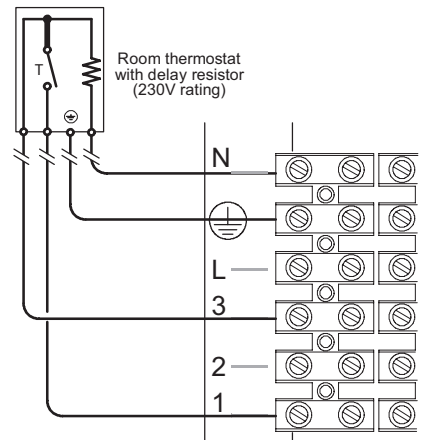


Fig. 6.20

The thermostat must be insulation class II (□) or must be correctly connected to earth.

INSTALLATION

Connecting the zone valves controlled by the ambient thermostat

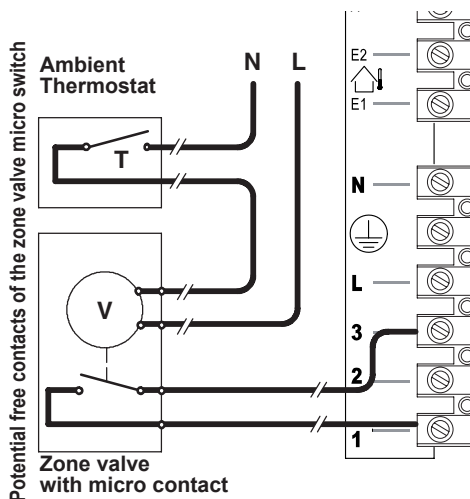


Fig. 6.21

Use the ambient thermostat's clamps indicated in Fig. 6.15 and Fig. 6.16. to connect the zone valve. Insert the electric cables of the zone valve's micro switch contacts in clamps "1 and 3" of the ambient thermostat's terminal block as in Fig. 6.16.

Remove the electric jumper between "1 and 3".



Be careful not to connect powered cables on clamps "1 and 3".

The route of the boiler and ambient thermostat's electric power supply cable or wires must follow the route indicated in Fig. 6.16. Allow the cables to exit the boiler by using the relevant cable clamps Y (Fig. 6.17).

Connection of a remote controlled zone valve

Connecting a zone valve to the terminal of the auxiliary card and the remote control to the specific terminals it is possible to control this zone with the same remote control.

Moreover, should another zone controlled by an ambient thermostat be present it is possible to regulate both zones with a different delivery temperature.

In order to achieve this setting it is necessary to enter into the programming (load entry sequence), scroll the various parameters using keys 17 or 18 (Fig. 6.23) until the letters **P04** appear on the LCD display as well as the value of the parameter, indicating the entry in "parameter 04" (Fig. 6.22).

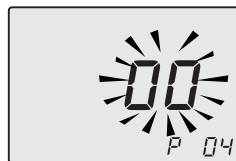


Fig. 6.22

Utilising keys 11 or 12 modify the value of the parameter from **00** to **01** valid in order to differentiate the delivery temperatures of the heating system.

By pressing key 14 confirmation of the inserted value is obtained.

Press keys 17 or 18 to exit without changing the value.

INSTALLATION

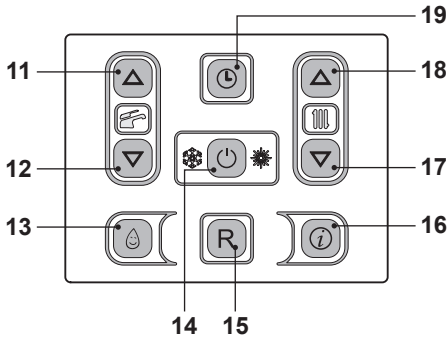


Fig. 6.23

For the connection of the zone valve use the terminals from the auxiliary card **N** (common neutral), **L (NO)** line 230V ~ (valve opens heating system), **L (NC)** line 230V ~ (valve closes heating system) Fig. 6.24.

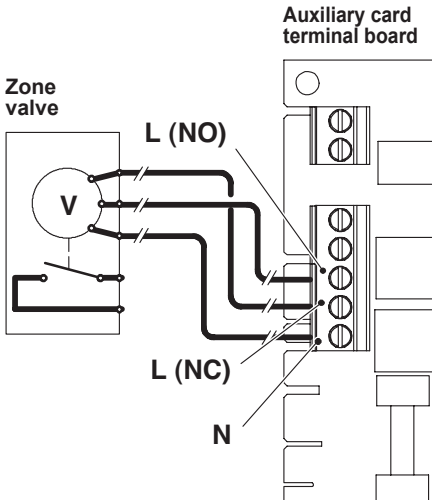


Fig. 6.24

To remotely connect utilise the terminals indicated in Fig. 6.27.

6.11 External frost protection

- Connect the frost thermostat between terminals 1 and 2 as shown in Fig. 6.25 or Fig. 6.26.

Do not connect live wires to terminals to which the frost thermostat must be connected.

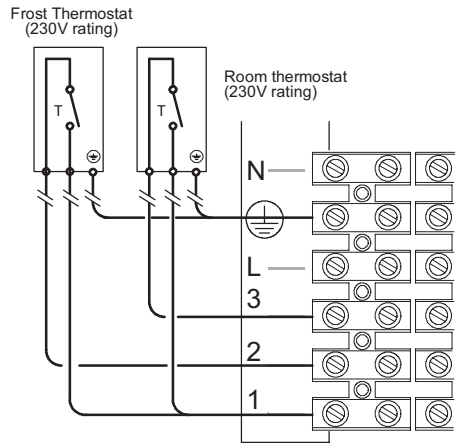


Fig. 6.25

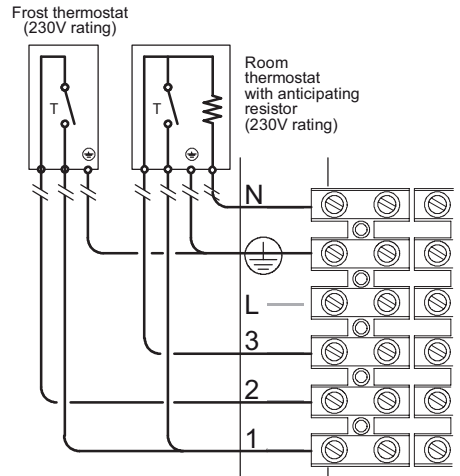


Fig. 6.26

INSTALLATION

6.12 Installation of the external temperature probe (optional)

The external probe must be installed on the external wall of the building avoiding:

- Direct radiation of solar rays.
- Humid walls or walls subject to the formation of mildew.
- Installation near to fans, drain outlets or chimneys.

6.13 Electric connection between the boiler and the external probe

To connect the external probe to the boiler use electric cables with a section no less than 0.50 mm^2 .

The electric cables for connecting the external probe to the boiler must cover different channels to the voltage ones (230 V), since they are powered at a safety low voltage and their maximum length must not exceed 20 meters.

Use the clamps indicated in Fig. 6.27 to connect the external probe.

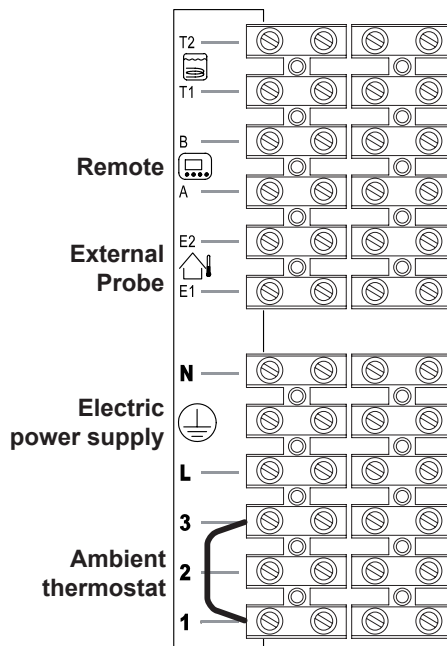


Fig. 6.27

The route of the external probe's connection wires must follow the route indicated in Fig. 6.16.

Allow the cables to exit the boiler by using the relevant cable clamps Y (Fig. 6.17).

6.14 Remote electric connection (optional)

Use the clamps indicated in Fig. 6.27 to connect the remote.

To connect the remote control to the boiler, refer also to the REMOTE CONTROL booklet.

Do not remove the electric jumper connected on the ambient thermostat terminal block between "1 and 3" Fig. 6.27.

INSTALLATION

The route of the remote control cable must follow the route indicated in Fig. 6.16. Allow the cables to exit the boiler by using the relevant cable clamps Y (Fig. 6.17).

6.15 Example of hydraulic plants with hydraulic separator (optional)

The hydraulic separator creates a reduced load loss zone that renders the primary circuit and secondary circuit hydraulically independent.

In this case the flow rate that passes through the circuits depends exclusively on the features of the pumps flow rate.

Therefore, by means of a hydraulic separator, the secondary circuit's flow rate is put into circulation only when the relative pump is on.

When the pump of the secondary is off, there is no circulation in the corresponding circuit and therefore, the entire flow rate pushed by the primary is by-passed through the separator.

Thus, with the hydraulic separator, it is possible to have a constant flow rate production circuit and a variable flow rate distribution circuit.

Hydraulic plant examples

Top zone + low temperature zone.

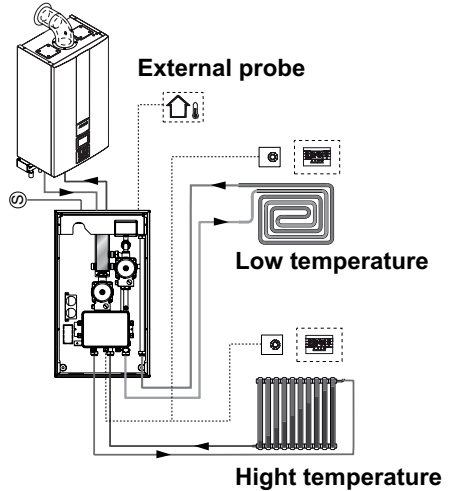


Fig. 6.28

Top zone + 2 low temperature zones.

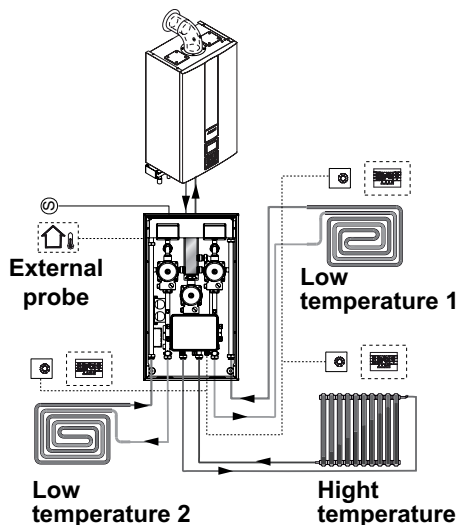


Fig. 6.29

COMMISSIONING

7 COMMISSIONING

7.1 Warnings

The commissioning of this boiler and system must only be undertaken by a Gas Safety registered engineer in accordance with the requirements of the Gas Safe Installation and Use Regulations and be approved by Gas Safe.

Ensure that the Benchmark Log Book is satisfactorily completed during the commissioning process. The Log Book is located at the end of this manual. This manual should be handed to the User following completion of the installation and commissioning process. Failure to comply with these requirements may invalidate the manufacturers guarantee.

For Ireland (IE), it is necessary to complete a "Declaration of Conformity" to indicate compliance to I.S.813.2002.

7.2 Electrical installation

Preliminary electrical system checks to ensure electrical safety shall be carried out by a competent person. i.e. polarity, earth continuity, resistance to earth and short circuit.

If a fault has occurred on the appliance the fault finding procedure should be followed as specified in the service manual.

7.3 Gas supply installation

- Inspect the entire installation including the gas meter, test for tightness and purge, all as described in BS 6891;
For Ireland (IE), refer to I.S.813.2002.
- Open the gas cock 5 (Fig. 7.1) on the appliance and check the gas connector on the

appliance for leaks.

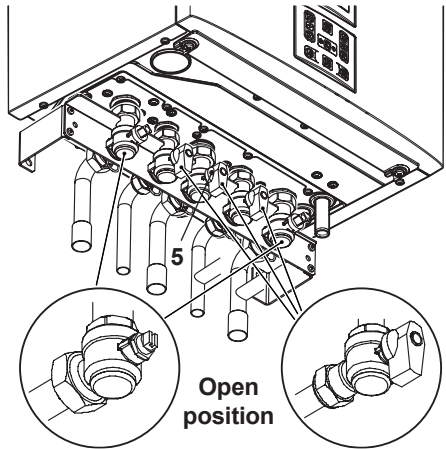


Fig. 7.1

7.4 Filling the d.h.w. system

- Close all hot water draw-off taps.
- Open the valves located in the lower part of the boiler (Fig. 7.1).
- Slowly open each draw-off tap and close it only when clear water, free of bubbles, flows out.

7.5 Initial filling of the system

- Open the c.h. flow and return valves.
- Remove the front and side panels of the case (section "Dismantling the external panels" to page 76) and the sealed chamber lid.
- Lift the plug on the automatic air purger valve 31 in Fig. 7.2 and leave open permanently.

COMMISSIONING

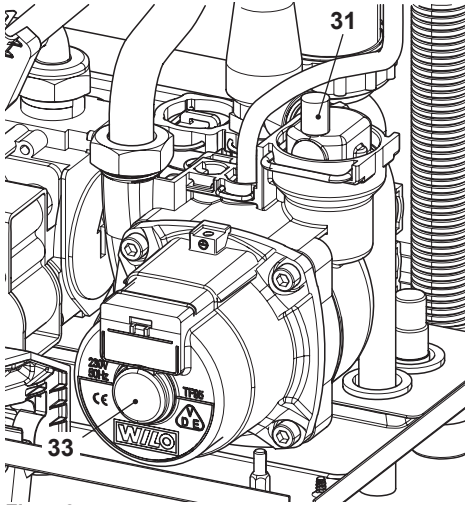


Fig. 7.2

- Before slackening the main condensing breather pipe exchanger 21 in Fig. 7.3 connect a small draining pipe to the hose nozzle to drain water out.

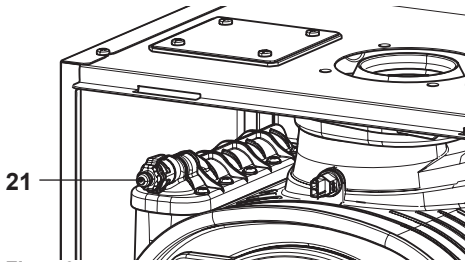


Fig. 7.3

- Gradually open stopcock at the filling point connection to the c.h. system until water is heard to flow; do not open fully.
- Open each radiator air vent starting at the lowest point of the system and close it only when clear water, free of bubbles, flows out.
- Purge the air from the pump by unscrewing the pump plug 33 (Fig. 7.2); release the pump shaft by turning in the direction indicated by the arrow on the information plate.

- Replace the pump plug.
- Continue filling the system. The actual reading should ideally be 1,3 bar and not less than 0,3 bar.
- Close all air release valves on the c.h. system.
- Inspect the boiler and the system for water tightness and remedy any leaks discovered.
- Cold flush the system to remove any loose particles and any system debris before starting the boiler for the first time

The flushing procedure must be in line with BS7593:2006 Treatment of Water in d.h.w. c.h. Systems.

When the installation and second filling are completed turn on the c.h. system and run it until the temperature has reached the boiler operating temperature. The system must then be immediately flushed through. This procedure must be repeated twice more.

During this operation a c.h. flushing detergent must be used in the quantities as specified by the appropriate manufacturer, whose function it is to dissolve any foreign matter which may be in the system.

INHIBITION (Primary Heating Circuit)

On the final refilling of the heating system it is important to ensure the system water is treated with a suitable scale and corrosion inhibitor in accordance with the manufacturers instructions.

7.6 Condensate pipe and traps

The full length of the condensate pipe should be checked for leaks.

Before running the boiler, ensure that the built in condensate trap and any other trap in the drain system is correctly filled with water.

COMMISSIONING



Fill the built in condensate trap by removing the flue elbow and pouring a cupful of water into the flue outlet (Fig. 7.4).

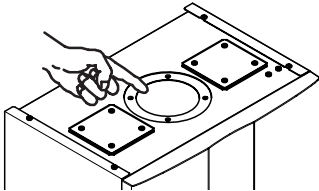


Fig. 7.4

An alternative, to the removal of the flue elbow, pour the water through the flue sampling point (Fig. 7.5).

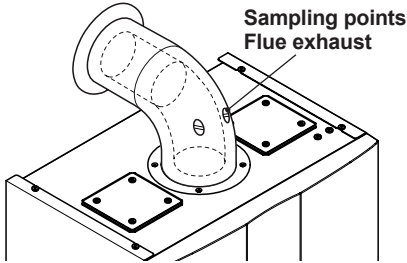


Fig. 7.5

7.7 Checking the gas supply pressure

This boiler has been factory tested to the highest quality control standards and set for the minimum and maximum gas working pressures, connected to a 1 m flue and a gas supply pressure of 20 mbar.

Any variation in gas supply pressure or flue length may result in the customer experiencing a harmonic noise from the boiler. In these circumstances, it may be necessary to reset the burner gas pressures in accordance with section 11 Gas Valve of the Service Manual.

It should be noted that a Flue Gas Analyser is required for this procedure.

7.8 Checking the inlet pressure

- Remove the boiler body's front panel, see section "Dismantling the external panels" to page 76.
- When the boiler is switched off (out of order), check the supply pressure by using the 35 point in Fig. 7.6 and compare the value read with that reported on the Gas supply pressure table in the "Technical Data" section (pag. 32 Activ A Plus 30C and pag. 35 Activ A Plus 35C).
- Close well the pressure point 35 in Fig. 7.6.

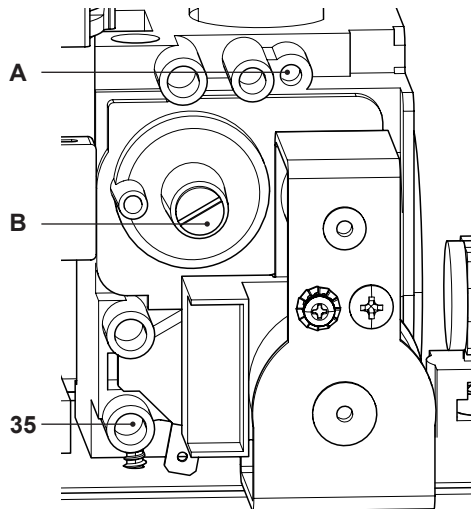


Fig. 7.6

If it does not comply with the required pressure check the gas supply line and governor for faults and/or correct adjustment.

Where the boiler is connected to a gas supply which has a zero set governor then it is necessary under the Gas Safe (Installation and Use) Regulations 26.9. to perform a combustion analysis test for CO/CO₂ (The limits for the boiler is given in "Technical Data" section pag. 32 Activ A Plus 30C and pag. 35 Activ A Plus 35C: CO₂ contents / other flue gas figures) and complete the

COMMISSIONING

Certificate of Exemption section of the Benchmark.

Important: after the checks all of the test points must be sealed.

7.9 Lighting the boiler



Some products incorporate an anti cycling time delay. It is normal when first switching the boiler on for the boiler to operate on heating for a few seconds then switch off. After 3-4 minutes has elapsed the boiler will then re ignite and operate perfectly normally. The ignition delay cycle does not prevent normal operation of the boiler to provide d.h.w.

If external controls are fitted (e.g. Timeclock, room thermostat) ensure they "call for heat".

- Electrically power the boiler by switching on the double pole isolation switch. The LCD will display, the - - - - symbol (Fig. 7.7).



Fig. 7.7

- Press the 14 key for 2 seconds until both  and  symbols appear on the display Fig. 7.8.

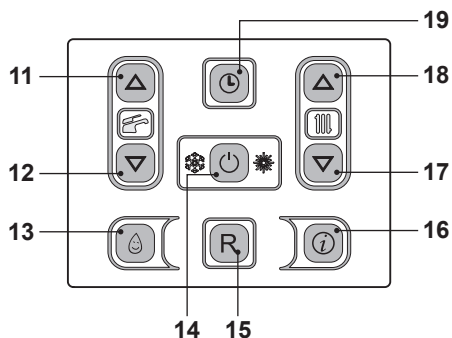


Fig. 7.8



The LCD display displays the boiler temperature (primary circuit) and the  and  symbols Fig. 7.9.



Fig. 7.9

- Open the gas cock
- Make sure that the ambient thermostat is in the "heat request" position".
- Check the correct functioning of the boiler both in domestic hot water mode and in heating mode.
- Check the gas pressures and flow rates as shown in section "GAS CONVERSION" to page 73 of this booklet.
- Check that the condensate produced during functioning fills the pipe and is regularly drained in the draining plant pipe.
- Switch off the boiler by pressing the 14 (Fig. 7.8) key for 2 seconds until the - - - - symbol appears on the LCD display (Fig. 7.7).

The boiler will now go through an ignition sequence and the burner will light.

COMMISSIONING

If after four ignition attempts (about four minutes) the boiler does not function and a code that precedes the letter **E** and the writing **RE-SET** appear on the LCD display, it indicates that the safety lock-out has stopped the boiler. The display background flashes (Fig. 7.10).

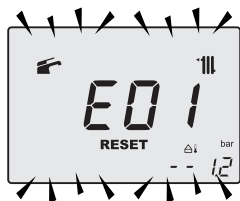


Fig. 7.10

Press the reset key on the boiler control panel 15 (Fig. 7.8) to reset its functioning.


For the first lighting up and following maintenance procedures for the gas supply, it may be necessary to repeat the resetting operation several times so as to remove the air present in the pipework.

After five consecutive resetting attempts the reset button is inhibited. To restore its function it is necessary to switch the boiler off and on from the electrical mains, using the fused spur isolation switch fitted adjacent to the appliance.

7.10 Enabling functioning of the external temperature probe by the remote control

Functioning with the external probe in the boiler must be enabled if the remote control (optional) is used.

Act on the programming of the REMOTE control to enable its functioning if the remote control (optional) is used.

- Press button  for more than 3 seconds to enter in **INFO** mode.

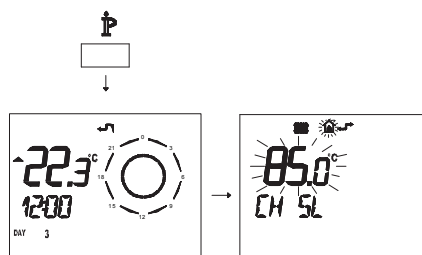

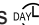


Fig. 7.11

Press buttons  and  at the same time to enter the transparent programming (Fig. 7.12).

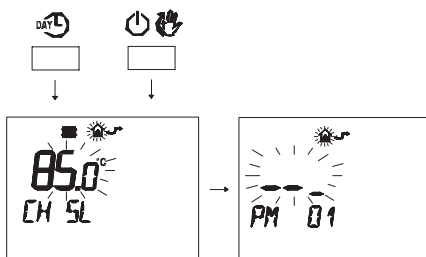




Fig. 7.12

- Press buttons  or  to display the "PM15" program that enables the external probe (Fig. 7.13).

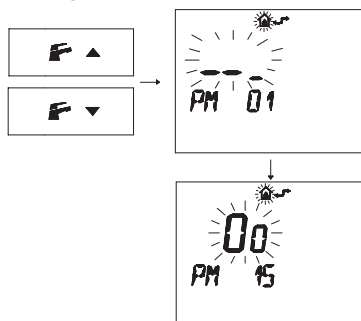


Fig. 7.13

- Modify the programmed SET by acting on buttons  or  until a setting of 60 is

COMMISSIONING

displayed, wait for the number programmed to flash (Fig. 7.14).

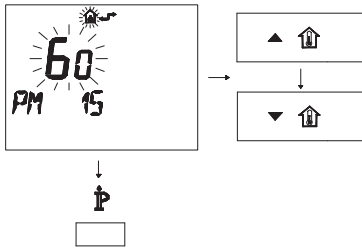


Fig. 7.14

- To exit programming, press button \bar{P} .

7.11 Setting the K coefficient of the external temperature probe

The boiler is set with a K coefficient equal to zero for boiler functioning without the probe connected.

If the boiler is **NOT EQUIPPED** with the remote control (optional) refer to Fig. 7.15.

C.h. flow temperature °C

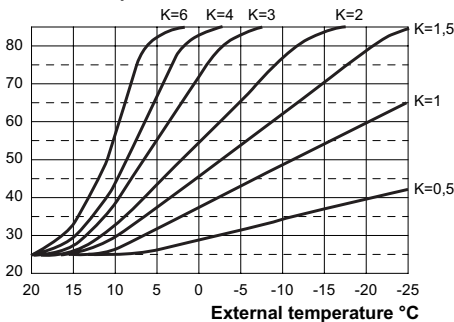


Fig. 7.15

If the boiler is **EQUIPPED** with the remote control (optional) refer to Fig. 7.16.

In this case K setting must be done from the remote control.

C.h. flow temperature °C

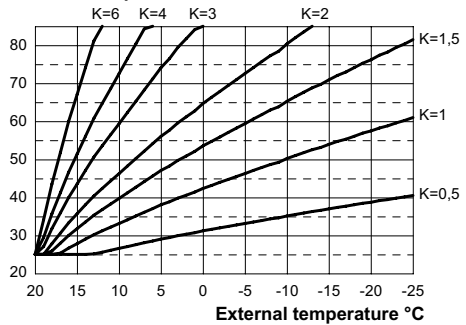


Fig. 7.16

The K coefficients is a parameter that increases or reduces the boiler flow temperature when the outside temperature changes.

When installing the external probe it is necessary to set this parameter based on the efficiency of the heating plant in order to optimise the flow temperature (Fig. 7.16).

E.g. In order to have a flow temperature at the heating plant of 60°C with an external temperature of -5°C, set a K at 1.5 (sectioned line in Fig. 7.16).

Sequence for setting the K coefficient

- Enter in "programming mode" by pressing keys 14 - 17 - 18 (Fig. 7.17) for 10 seconds at the same time until the letters **P01** are displayed on the LCD display, indicating that "parameter 01, has been activated (Fig. 7.18).

COMMISSIONING

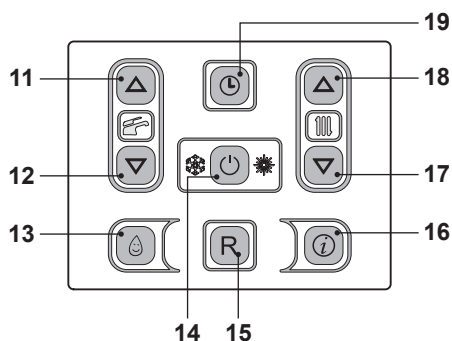


Fig. 7.17

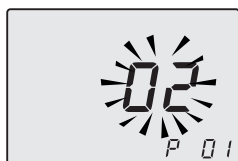


Fig. 7.18

- Scroll the various parameters using keys 17 or 18 until the letters **P15** are displayed on the LCD display, indicating that "parameter 15" (Fig. 7.19) has been activated.

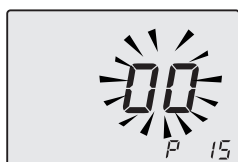


Fig. 7.19

- Using keys 17 or 18 it is possible to change the value of parameter 15 from a minimum of **01** to a maximum of **60** based on the selected bend of the K coefficient in Fig. 7.16 (the value read on the display corresponds to K coefficients decimal values). The writing **P15 - SEt** alternates on the display (Fig. 7.20).

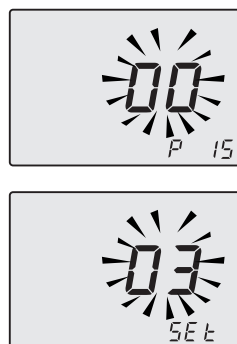


Fig. 7.20

- By pressing key 14 (Fig. 7.17) confirmation of the inserted value is obtained.
- Press keys 17 or 18 (Fig. 7.17) to exit without changing the value (Fig. 7.19)
- Exiting the "programming mode" is automatic, after 15 minutes, or by cutting power.

At this point the plant flow temperature will follow the trend in relation to the K coefficient set.

However, if the ambient temperature is not comfortable, the flow temperature of the heating plant can be increased or reduced by $\pm 15^{\circ}\text{C}$ by acting on keys 17 (reduce) and 18 (increase) (Fig. 7.17).

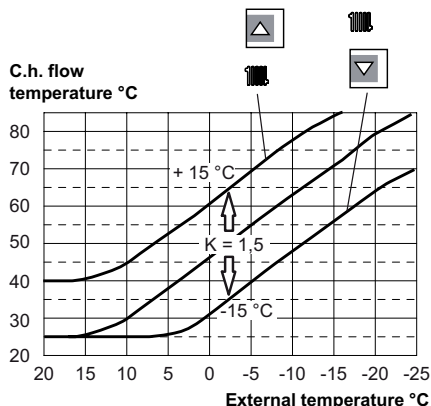


Fig. 7.21

COMMISSIONING

The temperature trend when changing the setting made with keys 17 and 18 for a **K 1,5** is shown in Fig. 7.21.

Sequence for setting the K coefficient with the remote control connected

Act on the programming of the REMOTE control to select the setting of the K coefficient.

- Electrically feed the boiler by activating the bipolar switch envisioned during installation.
- Press button **IP** for more than 3 seconds to enter in **INFO** (Fig. 7.22) mode.

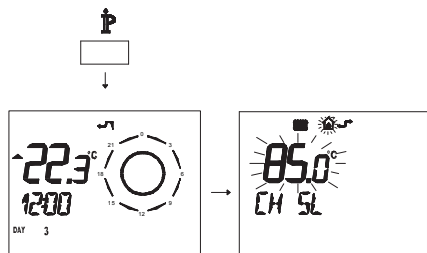


Fig. 7.22

Press button **OK** to display the **K REG** window (Fig. 7.23).

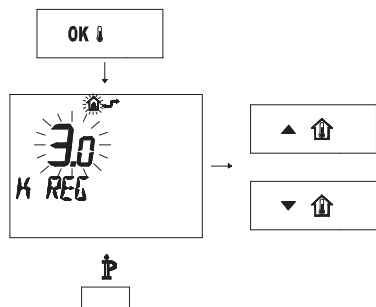


Fig. 7.23

It is possible to change the value using buttons **▲** and **▼**.

Press button **IP** to exit from mode **INFO** (Fig. 7.23).

7.12 Setting the pump speed

The pump management parameter (**P03**) is factory set to automatic (02). In other words, at the maximum speed in normal operation and at the average speed in preheating, anti-freeze and post-circulation.

The parameter can be set to 00 if you want the maximum speed in any operating mode or to 01 if you want the average speed in any operating mode (e.g. small systems).

- Enter “programming mode” by holding down keys 14 - 17 - 18 together for 10 seconds (Fig. 7.24) until the LCD display indicates the letters **P01** and the value of the parameter, indicating entry in “parameter 01” (Fig. 7.25).

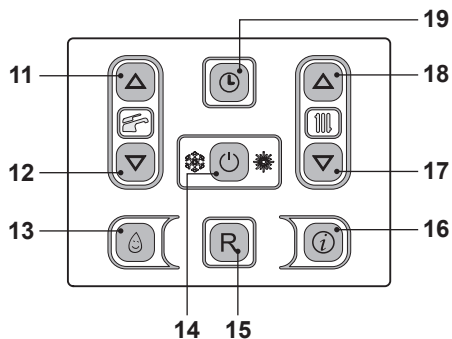


Fig. 7.24

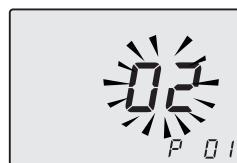


Fig. 7.25

- Scroll through the various parameters using key 17 or 18 until the LCD display indicates the letters **P03** and the value of the param-

COMMISSIONING

eter, indicating entry in "parameter 03" (Fig. 7.26).

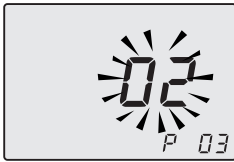


Fig. 7.26

- Use key 11 or 12 to modify the value of parameter 03 to **00**=maximum speed or **01**=average speed.
- The writing **P03 - SEt** alternates on the display (Fig. 7.27).

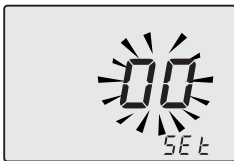
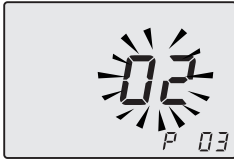


Fig. 7.27

- By pressing key 14 (Fig. 7.24) confirmation of the inserted value is obtained.
- Press keys 17 or 18 to exit without changing the value.
- Exiting the "programming mode" is automatic, after 15 minutes, or by cutting power.

7.13 Setting the pump post-circulation

The pump, in heating function, is set for a post-circulation of about one minute at the end of each heat request.

This time can be changed by a minimum of zero to a maximum of four minutes by acting on programming both from the panel controls

and the remote control.

- Enter in "programming mode" by pressing keys 14 - 17 - 18 (Fig. 7.28) for 10 seconds at the same time until the letters **P01** are displayed on the LCD display, indicating that "parameter 01" (Fig. 7.29) has been activated.

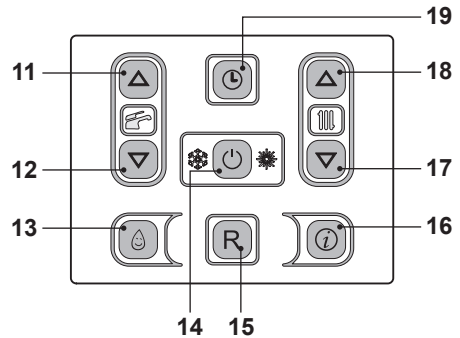


Fig. 7.28

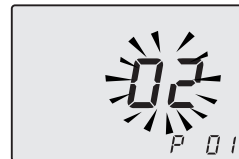


Fig. 7.29

- Scroll the various parameters using keys 17 or 18 until the letters **P11** are displayed on the LCD display, indicating that "parameter 11" (Fig. 7.30) has been activated.



Fig. 7.30

- It is possible to modify parameter 11 by **00**=0s to **99**=255s using keys 17 or 18 (each increase or reduction by a unit on the

COMMISSIONING

display corresponds to 2,5 seconds). Ex. 17=42 seconds.

- The writing **P11 - SEt** alternates on the display (Fig. 7.31).

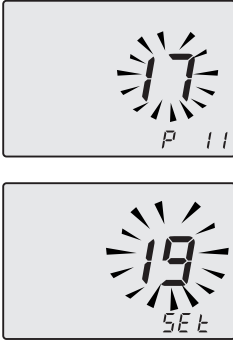


Fig. 7.31

- By pressing key 14 (Fig. 7.28) confirmation of the inserted value is obtained.
- Press keys 17 or 18 (Fig. 7.28) to exit without changing the value.
- Exiting the “programming mode” is automatic, after 15 minutes, or by cutting power.

Programming using the REMOTE control

- Press button **P** for more than 3 seconds to enter in **INFO** mode (Fig. 7.32).

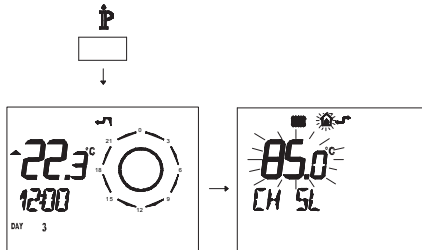


Fig. 7.32

- Press buttons **DAY** and **ON/OFF** at the same time to enter transparent programming (Fig. 7.33).

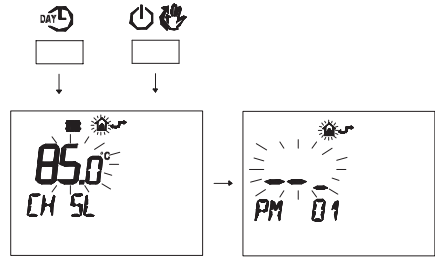


Fig. 7.33

- Press buttons **F** or **F** to display the “PM11” program of the pump post-circulation (Fig. 7.34).

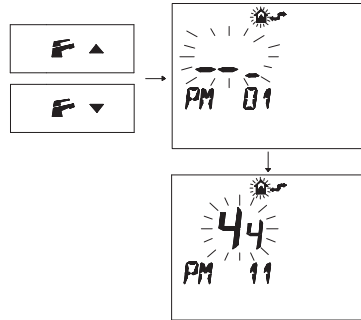


Fig. 7.34

- To modify the programmed SET, act on buttons **▲** or **▼** and wait for the programmed number to flash (Fig. 7.35). Each step increased or decreased corresponds to 1 second.

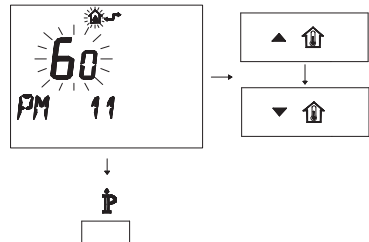


Fig. 7.35

- To exit programming, press button **P**.

COMMISSIONING

7.14 Selecting the reignition frequency

When the boiler functions in normal on/off heating mode, the minimum time between two ignitions is set at three minutes (re-ignition frequency).

This time can be changed by a minimum of zero to a maximum of eight and a half minutes by acting on programming both from the panel controls and the remote control.

- Enter the "programming mode" by pressing keys 14 - 17 - 18 (Fig. 7.36) for 10 seconds at the same time until the letters **P01** on the LCD display, indicating that "parameter 01" (Fig. 7.37) has been activated.

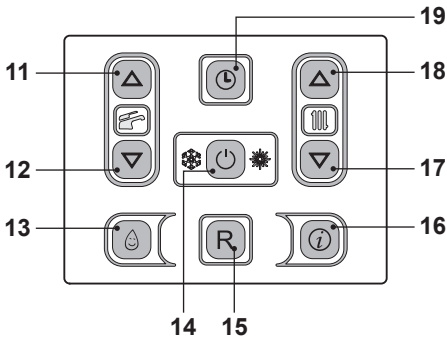


Fig. 7.36

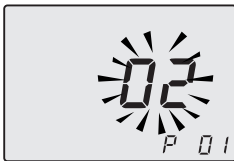


Fig. 7.37

- Scroll the various parameters using keys 17 or 18 until the letters **P10** are displayed on the LCD display, indicating that "parameter 10" (Fig. 7.38) has been activated.



Fig. 7.38

- It is possible to modify parameter 10 by **00=0s** to **100=510s** using keys 11 or 12 (each increase or reduction by a unit on the display corresponds to 5 seconds). Ex. 36=180 seconds.
- The writing **P10 - SEt** alternates on the display (Fig. 7.39).

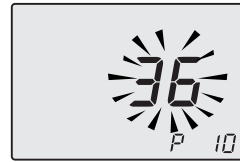



Fig. 7.39

- By pressing key 14 (Fig. 7.36) confirmation of the inserted value is obtained.
- Press keys 17 or 18 (Fig. 7.36) to exit without changing the value.
- Exiting the "programming mode" is automatic, after 15 minutes, or by cutting power.

Programming using the REMOTE control

Act on the programming of the REMOTE control to select a minimum time between two ignitions when the boiler functions in normal on/off heating mode.

- Press button  for more than 3 seconds to enter in **INFO** mode (Fig. 7.40).

COMMISSIONING

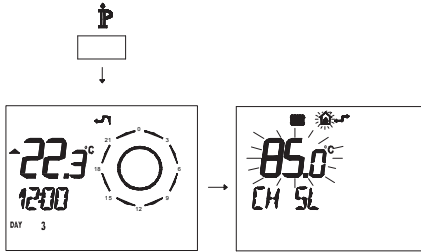


Fig. 7.40

- Press buttons **DAY** and **POWER** at the same time to enter transparent programming (Fig. 7.41).

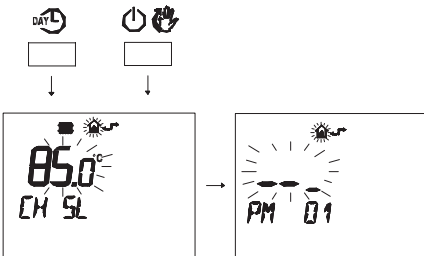


Fig. 7.41

- Press buttons **F** and **▲** or **F** and **▼** to display the "PM10" program for selecting the ignition frequency (Fig. 7.42).

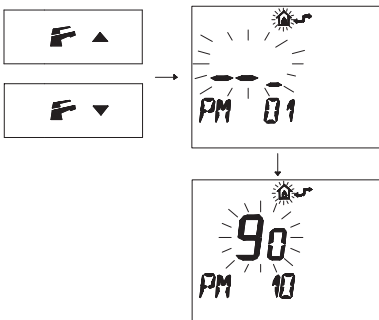


Fig. 7.42

In Fig. 7.42 a SET programmed at **90** is displayed corresponding to a re-ignition time of about 3 minutes.

The adjustment field is from 0 to 8 and half

minutes.

Each step increased or decreased corresponds to 2 seconds.

- To modify the programmed SET, act on buttons **▲** or **▼** and wait for the number programmed to flash (Fig. 7.43).

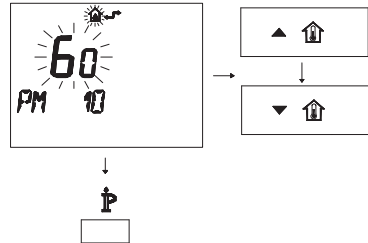


Fig. 7.43

- To exit programming, press button **P**.

7.15 Checking the ignition device

With the burner on high flame close the gas cock.

After four ignition attempts (about four minutes) the boiler does not function and a code that alternates between the letter **E** and the writing **RESET** appear on the LCD display, it indicates that the safety lock-out has stopped the boiler. The display background flashes (Fig. 7.44).

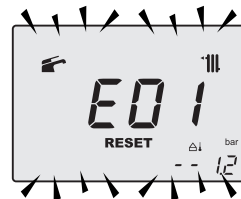


Fig. 7.44

Press the reset key 15 on the boiler control panel to reset its functioning.

INSTALLATION

COMMISSIONING

7.16 Checking the flue system

The flue system should be visually checked for soundness. Check all clamps, gaskets and fixing are secure and tight.

Ensure that the flue terminal is sited correctly in accordance with the flue fitting instructions and Fig. 5.1 on page 39 of this manual.

To carry out a combustion check refer to the instructions given in the section "Combustion analysis check" to page 80 of this manual.

Reference figures are given in the "Technical Data" section (pag. 32 Activ A Plus 30C and pag. 35 Activ A Plus 35C) of this manual (Flue gas figures).

7.17 Checking the condensate drain pipe

Check the soundness and integrity of the condensate drain pipe.

Verify the cleanness and correct filling of the condensate traps.

7.18 Instructing the user

Hand over this combined User & Installation manual and the Service manual to the end user and explain how to use the unit in both c.h. and d.h.w. modes.

Take the User step by step through the lighting instructions.

Show the User how to switch off the appliance quickly and indicate the position of the electric supply isolator.

Explain the proper use and adjustment of all system controls; this will ensure the greatest possible fuel economy.

Explain the function and use of the function selector.

Explain and demonstrate the function of time and temperature controls (if fitted).

Explain how to turn off the appliance for both

short and long periods and advise on the precautions necessary to prevent damage should the appliance be inoperative when freezing conditions may occur.

Fill in the details required on the Boiler Guarantee Certificate and hand to the User advising them to return the correct section for boiler Guarantee registration.

Finally, advise the User that, for continued safe and efficient operation, the appliance must be serviced by a competent person at least once a year.

The user is responsible for keeping the documentation integral and within reach for consultation.

7.19 Adjustment of useful c.h. output

The following procedure allows the output of the boiler for central heating to be adjusted to meet the system requirement. Adjusting the useful central output does not prevent the boiler firing at maximum rate for domestic hot water production.

Refer to Fig. 7.45 and determine the correct Value appertaining to the output required for the central heating requirement.

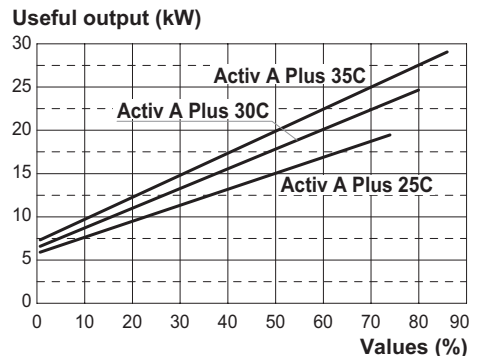


Fig. 7.45

COMMISSIONING

- Enter the "programming mode" by pressing keys 14 - 17 - 18 (Fig. 7.47) for 10 seconds at the same time until the letters **P01** are displayed on the LCD display, indicating that "parameter 01" (Fig. 7.46) has been activated.

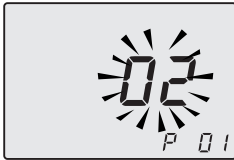


Fig. 7.46

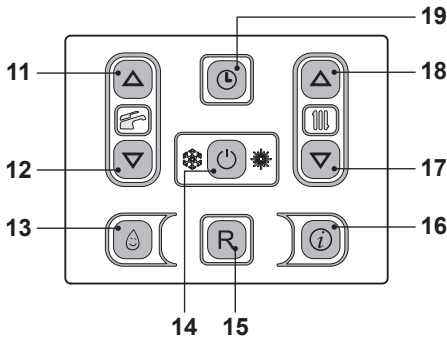


Fig. 7.47

- Scroll the various parameters using keys 17 or 18 until the letters **P12** are displayed on the LCD display and the value of the parameter (79=Activ A Plus 30C or 86=Activ A Plus 35C), indicating that "parameter 12" (Fig. 7.48) has been activated.



Fig. 7.48

- It is possible to modify parameter using keys 11 or 12 (Fig. 7.47) (Refer to Fig. 7.45 and determine the correct Value appertaining to

the output required for the central heating requirement.).

- By pressing key 14 (Fig. 7.47) confirmation of the inserted value is obtained.
- Press keys 17 or 18 (Fig. 7.47) to exit without changing the value.
- Exiting the "programming mode" is automatic, after 15 minutes, or by cutting power.

7.20 Setting record

Important: at the end of the setting operation it is important to fill/update the table (Fig. 7.49).

This to allow a correct setting of this boiler in case of replacement of the main control p.c.b.

PARAMETER	DIGIT	VALUES
Boiler type	P 01	
Water sensors configuration	P 02	
Pump management	P 03	
TA/OT zone management	P 04	
Gas type	P 05	
Not used	P 06	-----
C.h. flow max temperature °C	P 07	
Factory parameters reset	P 08	
Chimney sweep function	P 09	
C.h. reignition frequency	P 10	
C.h. pump post-circulation	P 11	
Max. useful output in c.h. mode	P 12	

COMMISSIONING

PARAMETER	DIGIT	VALUES
C.h. pump working type	P 13	
Ignition power	P 14	
K value (external probe diagram)	P 15	
Regulation of the minimum heating power	P 16	
D.h.w. burner turn off function	P 17	
NTC on the c.h. return	P 18	
User interface	P 19	
Not used	P 20	-----
Not used	P 21	-----
Not used	P 22	-----
Not used	P 23	-----
Not used	P 24	-----
Not used	P 25	-----
Not used	P 26	-----
Minimum heating return temperature °C	P 27	
Maintenance intervals	P 28	
D.h.w. entry temperature for calculation def=10	P 29	
Correct pressure main system (Pon)	P 30	

Fig. 7.49

- Enter the "programming mode" by pressing keys 14 - 17 - 18 (Fig. 7.50) for 10 seconds at the same time until the letters **P01** are displayed on the LCD display and the value of the parameter (36=Activ A Plus 30C or 37=Activ A Plus 35C), indicating that "parameter 01" (Fig. 7.51) has been activated.

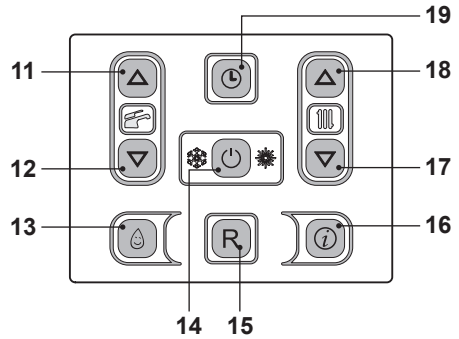


Fig. 7.50

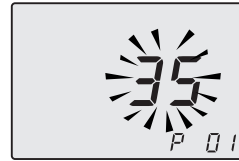


Fig. 7.51

- Scroll the various parameters using keys 17 or 18 until the letters **P02** are displayed on the LCD display, indicating that "parameter 02" has been activated.
- Press keys 11 or 12 to change the value and confirm the value of the parameter with key 14.
- Press keys 17 or 18 (Fig. 7.50) to exit without changing the value.
- Repeat all the above setting sequences in order to visualize the parameters and their values.
- Exiting the "programming mode" is automatic, after 15 minutes, or by cutting power.

GAS CONVERSION

8 GAS CONVERSION

8.1 Warnings

The commissioning of this boiler and system must only be undertaken by a Gas Safety Registered Engineer, qualified to work on Liquefied Petroleum Gas (LPG) in accordance with the requirements of the Gas Safe Installation and Use Regulations.

Components used to adapt it to the type of gas available must be genuine parts only.

Factory setting = Natural gas.

8.2 Operations and gas setting



Check that the gas cock mounted on the gas piping to the boiler is closed and that the appliance is not powered.

- Remove the body's front panel and turn the control panel as shown in section "MAINTENANCE" to page 75.
- Unscrew the connector C, remove the fixing fork A and remove the pipe B (Fig. 8.1).

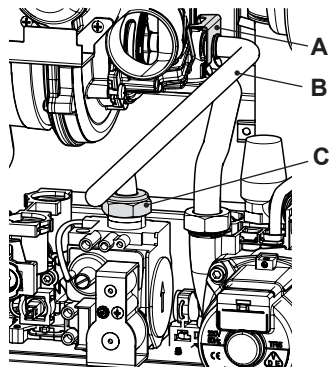


Fig. 8.1

- Carry out gas conversion by correctly replacing the gas restrictor (Fig. 8.2), referring to the "Technical Data" section page 32 (Activ A Plus 30C) and page 35 (Activ A Plus 35C).

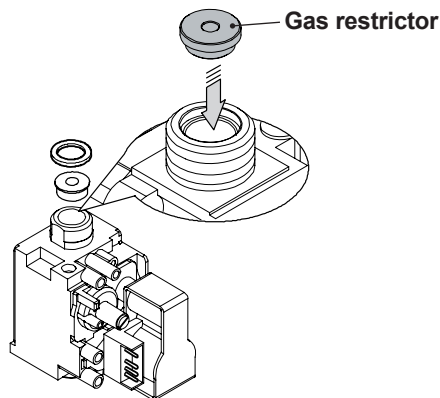


Fig. 8.2



Attention, to reassemble repeat the operations carried out in reverse order. Be careful not to damage the OR gasket of the gas pipe when inserting the pipe in the air box (air/gas mixer). After any service operation on the components of the gas circuit check all the connections for gas tightness.

The factory boiler is set for functioning with Natural gas (G20).

To set the functioning of the boiler with LPG (G31) gas, carry out the following settings:

- Enter in "programming mode" by pressing keys 14 - 17 - 18 (Fig. 8.3) for 10 seconds at the same time until the letters **P01** are displayed on the LCD display, indicating that "parameter 01" (Fig. 8.4) has been activated.

GAS CONVERSION

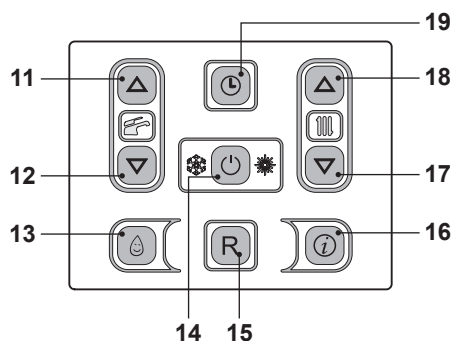


Fig. 8.3

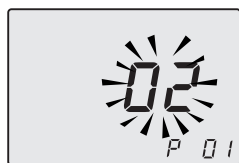


Fig. 8.4

- Scroll the various parameters using keys 17 or 18 until the letters **P05** are displayed on the LCD display, indicating that "parameter 05" (Fig. 8.5) has been activated.



Fig. 8.5

- Pressing the 11 key 5 times it is possible to modify the value of parameter 5 (see table).

Parameter	Gas type
00	G20
05	G31

- By pressing key 14 (Fig. 8.3) confirmation of the inserted value is obtained.
- Press keys 17 or 18 (Fig. 8.3) to exit without changing the value.

- Exiting the "programming mode" is automatic, after 15 minutes, or by cutting power.
- Calibrate the gas valve according to the instructions given in the Service manual, section Gas valve - Adjustment.
- Reposition the controls panel and re-mount the front panel of the body.
- Apply the label indicating the gas nature and pressure value for which the appliance is regulated. The self adhesive label is contained in the transformation kit.

9 MAINTENANCE

9.1 Warnings

The procedures detailed in this chapter **must be carried out only by a Gas Safety Registered Engineer**. Thus you are advised to contact an Authorised Service Agent.

For Ireland (IE), the servicing work must be carried out by a competent Person.

For efficient and continuous operation of the boiler you are advised to have, at least once a year, maintenance and cleaning done by an Approved Service Engineer.

Isolate the appliance from the electricity supply by turning off the fused spur isolation switch adjacent to the appliance and turn off the gas cock, before carrying out any procedures, whatsoever, for cleaning, maintenance, opening or dismantling boiler panels. The Engineer should complete the Service Interval Record at the back of the manual.

9.2 Programming the maintenance period

- Activate the clock function, as described in "Time/Day/Date setting" to page 15.
- Enter "programming mode" by holding down keys 14 - 17 - 18 together for 10 seconds (Fig. 9.1) until the LCD display indicates the letters **P01**, indicating entry in "parameter 01" (Fig. 9.2).

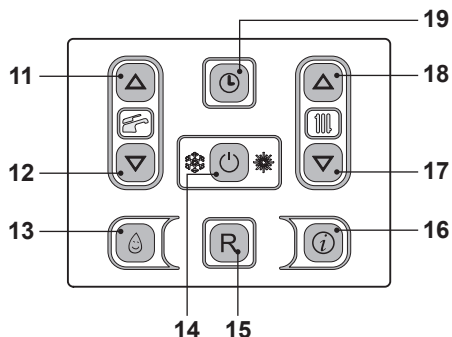


Fig. 9.1

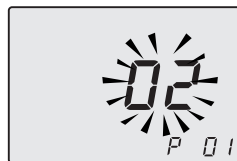


Fig. 9.2

- Scroll through the various parameters using key 17 or 18 until the LCD display indicates the letters **P28** and the value of the parameter, indicating entry in "parameter 28" (Fig. 9.3).

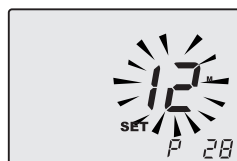


Fig. 9.3

- Use key 11 or 12 to modify the value of parameter 28 from **00** months to **48** months. The value **99**, which disables the maintenance request, is permitted. The writing **P28 - Set** alternates on the display (Fig. 9.4).

MAINTENANCE

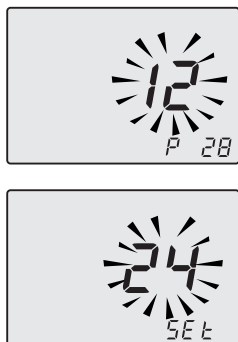


Fig. 9.4

- By pressing key 14 (Fig. 9.1) confirmation of the inserted value is obtained.
- Press keys 17 or 18 to exit without changing the value.
- Exiting the "programming mode" is automatic, after 15 minutes, or by cutting power.

After maintenance, if the value is left on **0** the maintenance symbols will not disappear but instead continue to flash, as they did prior to maintenance.

The remaining months until maintenance will be replicated in read only in the 'info' section under value **J15**.

N.B.: the flashing symbol in Fig. 9.5 is not an error. The boiler continues to run normally but it indicates the expiry of the maintenance period.



Fig. 9.5

9.3 Dismantling the external panels

Front panel

- Unscrew screws A and remove the front

panel D by pulling it and pushing it towards the top so that it is freed from the top housings (Fig. 9.6).

Side panels

Loosen screws "B - F" and "C - H" in Fig. 9.6 and remove the two side panels E and G by pulling towards the outside.

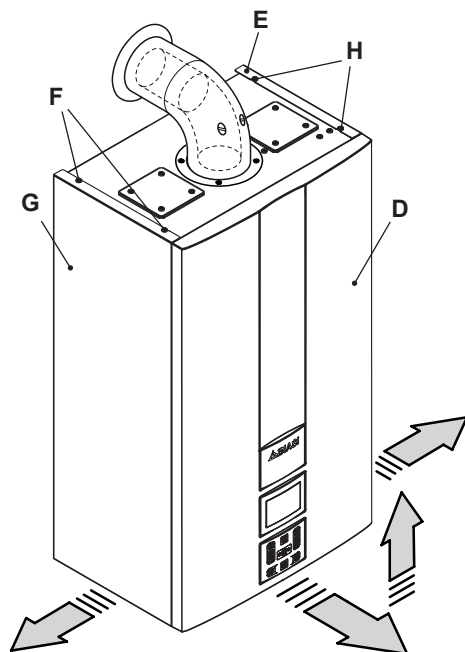
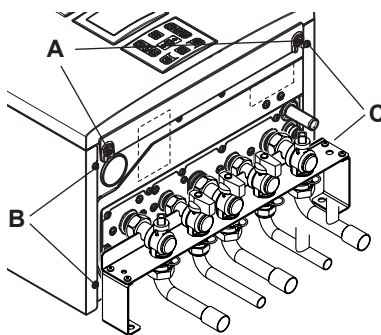


Fig. 9.6

MAINTENANCE

Control panel

Turn the controls panel I, as shown in figure Fig. 9.7, to access in an optimal manner the components inside the boiler.

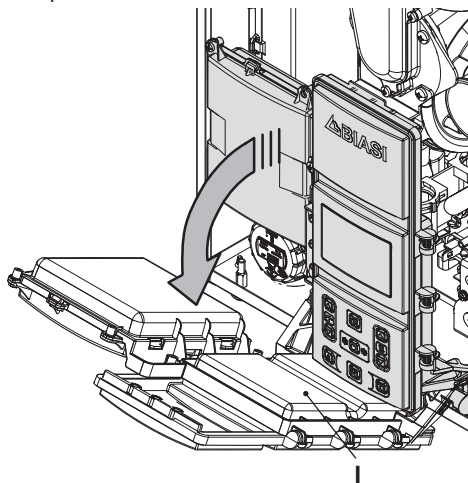


Fig. 9.7

9.4 Reassembly the external panels

Side panels

Fit the external panels E and G in the reverse order to that described on section "Dismantling the external panels" to page 76.

Front panel

- Fit the front panel D, hooking it on the upper side.
- Push the spring towards the internal side of the boiler and simultaneously push the front case panel D until it is completely hold in place (Fig. 9.8) step 1-2.
- Repeat the same operation on the opposite side of the front panel D, (Fig. 9.8) step 3-4.
- Ensure that the front panel edge is close-fitting to the side panels.
- Lock in place the panel D with the appropriate screws A (Fig. 9.6).

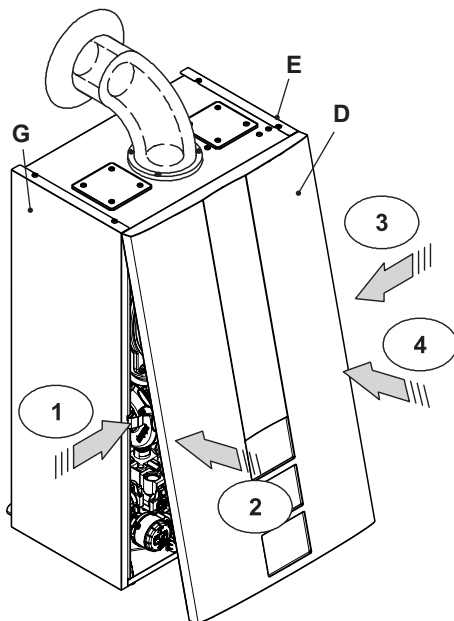


Fig. 9.8

9.5 Emptying the d.h.w. system

- Turn off the d.c.w. inlet isolating valve 6 (Fig. 9.9).

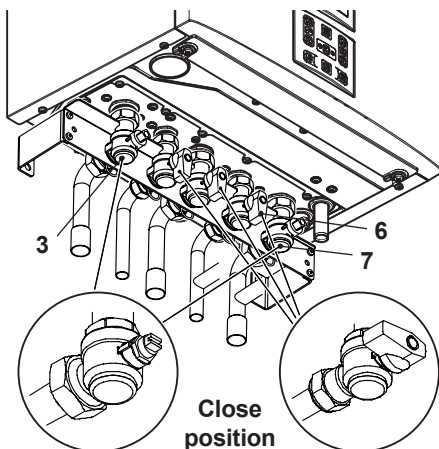


Fig. 9.9

- Turn on the hot water taps and any drain cocks.

9.6 Emptying the c.h. system

- Close the c.h. isolating valves (3 and 7 in Fig. 9.9).
- Loosen the central heating drain cock 9 indicated in Fig. 9.10.

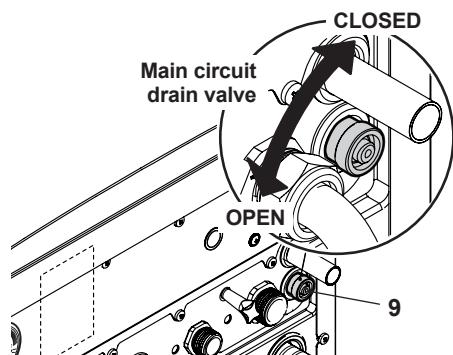


Fig. 9.10

- To make draining easier, lift the plug 31 of the automatic relief valve in Fig. 9.11.
- A small quantity of water will remain in the d.h.w. heat exchanger after draining. If the boiler is being drained to prevent freezing, the d.h.w. heat exchanger must be removed and inverted to drain fully or an antifreeze solution added.

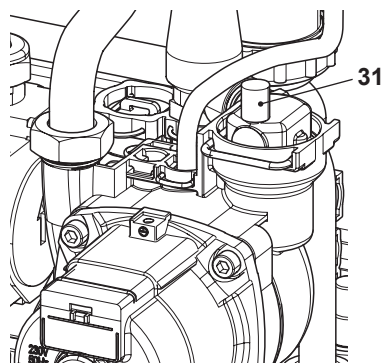


Fig. 9.11

9.7 Cleaning the condensing primary exchanger and the burner

Removing the fan burner unit 47 in Fig. 9.12.

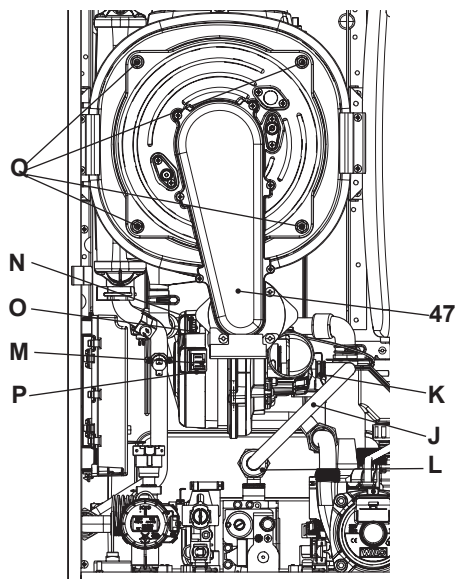


Fig. 9.12

- Remove the body's front panel and turn the controls panel (see "Dismantling the external panels" to page 76).
- Unscrew the connector L, remove the fixing fork K and remove the pipe J.
- Unhook the silencer pipe.
- Insert a flat screwdriver in the connector recess P and lever towards the bottom, disconnect the connector at the same time M by pulling towards the front M (Fig. 9.12).
- Disconnect the fan connector N by pressing the plastic hook O positioned at the bottom part of the connector (Fig. 9.12).
- Unscrew screws Q and remove the fan burner unit 47 (Fig. 9.12)
- Unscrew the Q screw nuts and remove the burner group fan 47 (Fig. 9.12)
- Extract the burner casing by pulling it outwards.

MAINTENANCE

- The silicon gasket on the front panel of the combustion chamber Fig. 9.13 has to be changed when deteriorated and in any case it is compulsory to substitute it every 2 years.

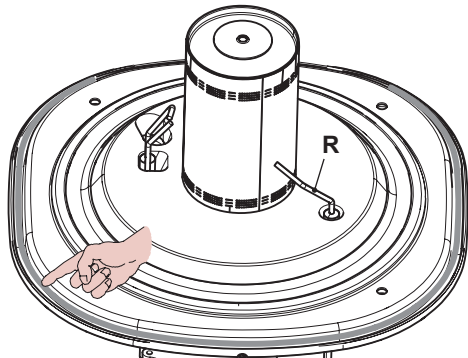


Fig. 9.13

- The detection electrode R in Fig. 9.13 also functions as a sensor for the correct drainage of the condensate. Should the mentioned electrode come into contact with the condensate water present within the combustion chamber it sends the boiler into safety lockout. Therefore, should the insulation be wet or deteriorated, provide for the substitution of the same.

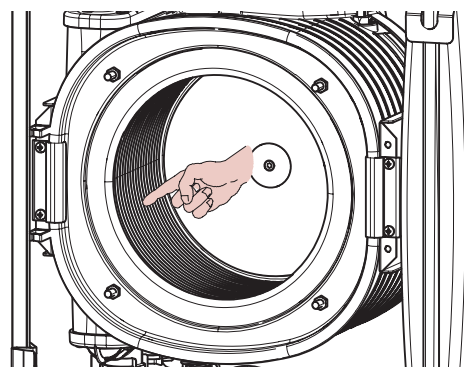


Fig. 9.14

If the condensate primary exchanger elements are dirty (notable only after removing

the burner body), brush them using a bristle brush and remove the dirt using a suction device.

The burner does not require any particular maintenance, just remove dust using a bristle brush.

More specific maintenance will be valued and carried out by an Authorised Assistance Centre Technician.



Attention, to reassemble repeat the operations carried out in reverse order. Be careful not to damage the OR gasket of the gas pipe when inserting the pipe in Air box.

After any service operation on the components of the gas circuit check all the connections for gas leaks.

9.8 Check the pressure of the heating expansion vessel

Drain the heating circuit as described in section "Emptying the c.h. system" to page 78 and check that the expansion vessel pressure is not less than 1 bar.

If the pressure is less, see to correct pressurisation.

9.9 Cleaning the domestic hot water exchanger

Descaling the domestic hot water exchanger will be valued by an approved Service Engineer, who will carry out any cleaning using specific products.

9.10 Checking the flue expulsion pipe

Have the integrity of the flue outlet pipe air intake pipe, checked periodically, at least once a year. For all the above maintenance operations it is advisable to call an approved Service Engineer.

9.11 Combustion analysis check

Carry out performance checks at the intervals provided by the laws in force.

- Connect a flue analyser to the flue analysis outlets on the flue exhaust of the boiler Fig. 9.15.

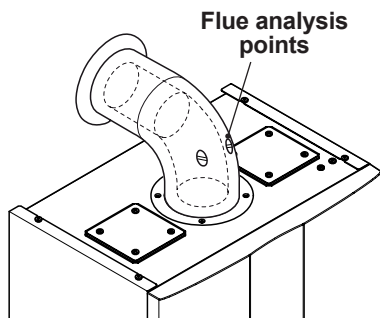


Fig. 9.15

- Activate the “chimney sweep function” at maximum heating power (vedere "Setting the boiler chimney sweep function" a pag. 81).
- Make sure that the ambient thermostat is in the position “call for heat”.
- Withdraw an abundant amount of d.h.w. by opening the faucets.
- Check the combustion of the boiler using the outlets located on the flue tubes (Fig. 9.15) and compare the data measured with that following.

Model Activ A Plus 30C		
Nominal heat input ^{(A) (E)}	kW	25,0
Nominal efficiency	%	97,4
Combustion efficiency	%	98,2
Air excess	n	1,23
Flue gas CO ₂ content	%	9,2 - 9,8
Flue gas O ₂ content	%	3,9
Flue gas CO content	ppm	120
Flue gas temperature	°C	74,0

Values refer to tests with a an 80 mm double exhaust split by 1 + 1 m and natural gas G20 and a supply / return heating temperature of 60°/80°C

Fig. 9.16

Model Activ A Plus 35C		
Nominal heat input ^{(A) (E)}	kW	30,0
Nominal efficiency	%	98,2
Combustion efficiency	%	98,3
Air excess	n	1,23
Flue gas CO ₂ content	%	9,2 - 9,8
Flue gas O ₂ content	%	3,9
Flue gas CO content	ppm	175
Flue gas temperature	°C	81,6

Values refer to tests with a an 80 mm double exhaust split by 1 + 1 m and natural gas G20 and a supply / return heating temperature of 60°/80°C

Fig. 9.17

The values in the tables are measured at the nominal useful power with factory calibration.

9.12 Checking the condensate drain pipe

The condensate drain pipe 40 (Fig. 9.18) does not require any particular maintenance but just check:

- That no solid deposits have formed, if so remove them.
- That the condensate drain piping is not clogged.

Unscrew the plug to clean inside the pipe.

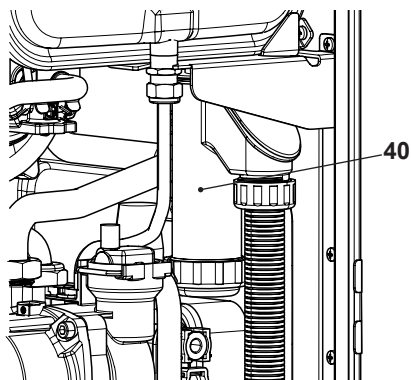


Fig. 9.18

9.13 Visual inspection of appliance

Visually inspect all water joints, seals and connections for any evidence of leakage and retighten, grease or replace them as necessary.

9.14 Checking the gas supply pressure

Check appliance for gas tightness. Recheck operational pressures as described in section "Checking the gas supply pressure" to page 60 of this manual.

9.15 Water inhibitor concentration

Where chemical products are used the level of water treatment should be checked on an annual basis and re treated after full or partial drain down.

A conductivitymeter can be used to check the correct concentration of inhibitor in the heating water.

9.16 Setting the boiler chimney sweep function

With the boiler set in chimney sweep mode, it is possible to exclude some boiler automatic functions making check and control operations easier.

- Enter in "programming mode" by pressing keys 14 - 17 - 18 (Fig. 9.19) for 10 seconds at the same time until the letters **P01** are displayed on the LCD display, indicating that "parameter 01" (Fig. 9.20) has been activated.

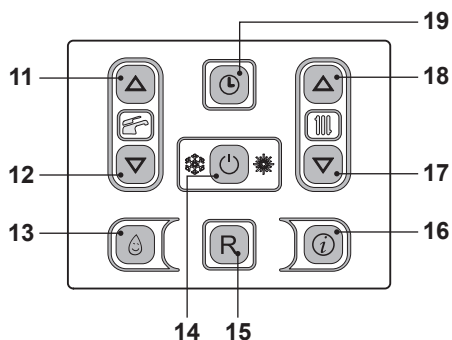


Fig. 9.19

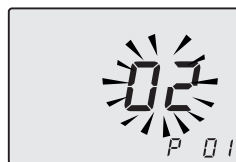


Fig. 9.20

Chimney sweep function at minimum output in domestic hot water mode

- Press keys 17 and 18 (Fig. 9.19) at the same time until the LCD display displays the letters **LP** that alternate with the heating water temperature value (e.g. **45**), indicating the activation of the "chimney sweep function" at minimum output (Fig. 9.21).

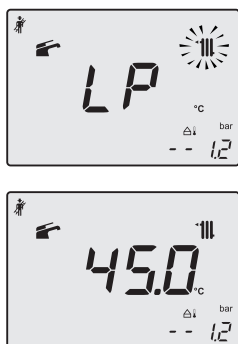


Fig. 9.21

Chimney sweep function at minimum output in heating mode

- By pressing 18 (Fig. 9.19) it is possible to change power in chimney sweep mode: with the letters **hP** on the LCD display which alternate between the heated water temperature (i.e. **32**), we are in the "chimney sweep function" at the minimum power during heating (Fig. 9.22).

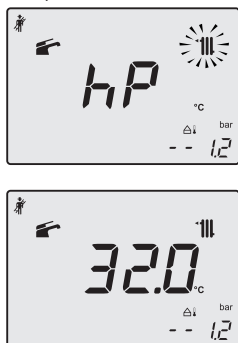


Fig. 9.22

Chimney sweep function at maximum output in heating mode

- Press key 18 to vary the output in chimney sweep mode: when the LCD display displays the letters **cP** that alternate with the heating water temperature value (e.g. **78**), the "chimney sweep function" is at maximum (even-

tually range rated) output in heating mode (Fig. 9.23).

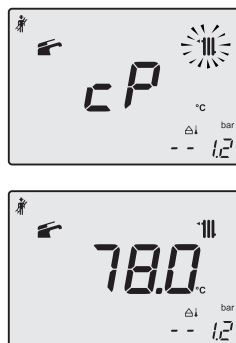


Fig. 9.23

Chimney sweep function at maximum output in domestic hot water mode

- Press further key 18 to vary again the output in chimney sweep mode: when the LCD display displays the letters **dP** that alternate with the heating water temperature value (e.g. **60**), the "chimney sweep function" is at maximum output in domestic hot water mode" (Fig. 9.24).

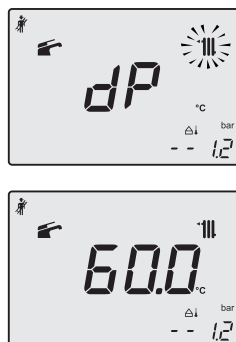


Fig. 9.24

- Press keys 14 - 17 - 18 (Fig. 9.19) at the same time again to exit the "chimney sweep mode" and return to the previously set boiler status (Fig. 9.25).

MAINTENANCE



Fig. 9.25



GAS BOILER COMMISSIONING CHECKLIST

BOILER SERIAL No. _____ NOTIFICATION No. _____

CONTROLS To comply with the Building Regulations, each section must have a tick in one or other of the boxes

TIME & TEMPERATURE CONTROL TO HEATING	ROOM T/STAT & PROGRAMMER/TIMER <input type="checkbox"/>	PROGRAMMABLE ROOMSTAT <input type="checkbox"/>
TIME & TEMPERATURE CONTROL TO HOT WATER	CYLINDER T/STAT & PROGRAMMER/TIMER <input type="checkbox"/>	COMBI BOILER <input type="checkbox"/>
HEATING ZONE VALVES	FITTED <input type="checkbox"/>	NOT REQUIRED <input type="checkbox"/>
HOT WATER ZONE VALVES	FITTED <input type="checkbox"/>	NOT REQUIRED <input type="checkbox"/>
THERMOSTATIC RADIATOR VALVES	FITTED <input type="checkbox"/>	
AUTOMATIC BYPASS TO SYSTEM	FITTED <input type="checkbox"/>	NOT REQUIRED <input type="checkbox"/>

FOR ALL BOILERS CONFIRM THE FOLLOWING

THE SYSTEM HAS BEEN FLUSHED IN ACCORDANCE WITH THE BOILER MANUFACTURER'S INSTRUCTIONS?

THE SYSTEM CLEANER USED _____

THE INHIBITOR USED _____

FOR THE CENTRAL HEATING MODE, MEASURE & RECORD

GAS RATE m³/hr ft/hr

BURNER OPERATING PRESSURE (IF APPLICABLE) N/A mbar

CENTRAL HEATING FLOW TEMPERATURE °C

CENTRAL HEATING RETURN TEMPERATURE °C

FOR COMBINATION BOILERS ONLY

HAS A WATER SCALE REDUCER BEEN FITTED? YES NO

WHAT TYPE OF SCALE REDUCER HAS BEEN FITTED? _____

FOR THE DOMESTIC HOT WATER MODE, MEASURE & RECORD

GAS RATE m³/hr ft/hr

MAXIMUM BURNER OPERATING PRESSURE (IF APPLICABLE) N/A mbar

COLD WATER INLET TEMPERATURE °C

HOT WATER OUTLET TEMPERATURE °C

WATER FLOW RATE lts/min

FOR CONDENSING BOILERS ONLY CONFIRM THE FOLLOWING

THE CONDENSATE DRAIN HAS BEEN INSTALLED IN ACCORDANCE WITH THE MANUFACTURER'S INSTRUCTIONS? YES

FOR ALL INSTALLATIONS CONFIRM THE FOLLOWING

THE HEATING AND HOT WATER SYSTEM COMPLIES WITH PARTS 4 & 7 OF THE BUILDING REGULATIONS

THE APPLIANCE AND ASSOCIATED EQUIPMENT HAS BEEN INSTALLED AND COMMISSIONED IN ACCORDANCE WITH THE MANUFACTURER'S INSTRUCTIONS

IF REQUIRED BY THE MANUFACTURER, HAVE YOU RECORDED A CO/CO₂ RATIO READING? N/A YES CO/CO₂ RATIO

THE OPERATION OF THE APPLIANCE AND SYSTEM CONTROLS HAVE BEEN DEMONSTRATED TO THE CUSTOMER

THE MANUFACTURER'S LITERATURE HAS BEEN LEFT WITH THE CUSTOMER

COMMISSIONING ENG'S NAME PRINT _____ Gas Safe Register ID No. _____

SIGN _____ DATE _____

SERVICE INTERVAL RECORD

It is recommended that your heating system is serviced regularly and that you complete the appropriate Service Interval Record Below.

Service Provider. Before completing the appropriate Service Interval Record below, please ensure you have carried out the service as described in the boiler manufacturer's instructions. Always use the manufacturer's specified spare part when replacing all controls

SERVICE 1 DATE _____
ENGINEER NAME _____
COMPANY NAME _____
TEL No. _____
Gas Safe Register ID CARD SERIAL No. _____
COMMENTS _____
SIGNATURE _____

SERVICE 2 DATE _____
ENGINEER NAME _____
COMPANY NAME _____
TEL No. _____
Gas Safe Register ID CARD SERIAL No. _____
COMMENTS _____
SIGNATURE _____

SERVICE 3 DATE _____
ENGINEER NAME _____
COMPANY NAME _____
TEL No. _____
Gas Safe Register ID CARD SERIAL No. _____
COMMENTS _____
SIGNATURE _____

SERVICE 4 DATE _____
ENGINEER NAME _____
COMPANY NAME _____
TEL No. _____
Gas Safe Register ID CARD SERIAL No. _____
COMMENTS _____
SIGNATURE _____

SERVICE 5 DATE _____
ENGINEER NAME _____
COMPANY NAME _____
TEL No. _____
Gas Safe Register ID CARD SERIAL No. _____
COMMENTS _____
SIGNATURE _____

SERVICE 6 DATE _____
ENGINEER NAME _____
COMPANY NAME _____
TEL No. _____
Gas Safe Register ID CARD SERIAL No. _____
COMMENTS _____
SIGNATURE _____

SERVICE 7 DATE _____
ENGINEER NAME _____
COMPANY NAME _____
TEL No. _____
Gas Safe Register ID CARD SERIAL No. _____
COMMENTS _____
SIGNATURE _____

SERVICE 8 DATE _____
ENGINEER NAME _____
COMPANY NAME _____
TEL No. _____
Gas Safe Register ID CARD SERIAL No. _____
COMMENTS _____
SIGNATURE _____

SERVICE 9 DATE _____
ENGINEER NAME _____
COMPANY NAME _____
TEL No. _____
Gas Safe Register ID CARD SERIAL No. _____
COMMENTS _____
SIGNATURE _____

SERVICE 10 DATE _____
ENGINEER NAME _____
COMPANY NAME _____
TEL No. _____
Gas Safe Register ID CARD SERIAL No. _____
COMMENTS _____
SIGNATURE _____

17962.2100.0 2811 88A5 UK



Biasi UK Ltd
Commercial Road
Leamore Enterprise Park
WALSALL

WS2 7NQ

Sales Tel. 01922 714600
Tech. Service Tel. 01922 714636
www.biasi.co.uk