

## OPTIMAX 25 0V

wall-mounting,  
pre-mixed  
condensing gas boiler



CE

INSTRUCTIONS FOR USE INSTALLATION AND MAINTENANCE

**IMPORTANT**

**Your “benchmark” Installation, Commissioning and Service Record Log Book will be enclosed in your customer information pack.**

**“This record must be completed and left with the end user”.**

Ferroli is a member of the Benchmark initiative and fully supports the aims of the programme. Benchmark has been introduced to improve the standards of installation and commissioning of central heating systems in the UK and to encourage the regular servicing of all central heating systems to ensure safety and efficiency.

Please see installation and servicing guidelines.

	This symbol indicates <b>“Caution”</b> and is placed next to all safety warnings. Carefully follow these instructions in order to avoid danger and damage to persons, and or property.
	This symbols calls attention to a note or an important notice for the installer/service engineer.



- Read the warnings given in this manual thoroughly. They provide important information for safe installation, use and maintenance
- Keep the manual carefully for future consultation.
- The instruction manual is an integral and essential part of the product and must be kept safely by the user.
- If the appliance is sold or transferred to another owner or if the owner moves, leaving the appliance behind, always ensure that the manual is kept with the appliance for consultation by the new owner and /or installer.
- Incorrect installation or poor maintenance absolves the manufacturer from all liability for damage to people or property.
- Installation and maintenance must be carried out in conformity with current legislation, according to the manufacturer’s instructions and by qualified personnel.
- Before cleaning or maintenance, disconnect the appliance from the mains via the switch on the appliance or a suitable isolating device.
- In the event of malfunction or faulty operation, switch off the appliance. Do not attempt to repair or carry out any other operation on the appliance directly. Contact qualified personnel only.
- Repairs or the replacement of components must be carried out exclusively by qualified personnel using original spare parts only. Failure to respect the above may compromise the safety of the appliance.
- To guarantee efficient operation, the appliance must be serviced once a year by an authorised service centre.
- The appliance may not be used for purposes other than those for which it was explicitly designed. Any other use is considered improper and therefore dangerous.
- Incorrect installation and use or failure to follow the instructions provided by the manufacturer absolve the manufacturer from all liability for damage.
- After unpacking, check that the contents are complete and undamaged.
- Keep packing out of reach of children as it is potentially hazardous.
- To clean external parts, use a damp cloth moistened with soapy water if necessary. Avoid using abrasive cleaning products and solvents.

**Declaration of conformity**

Manufacturer: FERROLI S.p.A.

Address: Via Ritonda 78/a 37047 San Bonifacio VR Italy

declares that this unit complies with the following EU directives:

- Gas Appliance Directive 90/396
- Efficiency Directive 92/42
- Low Voltage Directive 73/23 (amended by 93/68)
- Electromagnetic Compatibility Directive 89/336 (amended by 93/68)



President and Legal Representative

Cav. del Lavoro  
Dante Ferroli



## **1. OPERATING INSTRUCTIONS.....4**

1.1 Introduction.....	4
1.2 Control panel .....	5
1.3 Turning ON and OFF .....	6
1.4 Adjustments .....	6
1.5 Maintenance.....	7
1.6 Faults.....	7



## **2. INSTALLATION .....8**

2.1 General Instructions.....	8
2.2 Boiler location .....	9
2.3 Water connections .....	10
2.4 Connection to the gas system.....	13
2.5 Electrical Connections .....	13
2.6 Flue system .....	16
2.7 Condensate outlet connection .....	22



## **3. SERVICE AND MAINTENANCE.....24**

3.1 Adjustments .....	24
3.2 System start-up.....	25
3.3 Maintenance.....	26
3.4 Troubleshooting.....	28



## **4 TECHNICAL CHARACTERISTICS AND DATA.....30**

4.1 Dimensions and connections .....	30
4.2 General view and main components .....	31
4.3 Hydraulic diagram.....	32
4.4 Technical data table .....	33
4.5 Wiring diagram .....	34

# 1. OPERATING INSTRUCTIONS

## 1.1 Introduction

Dear Customer,

Thank you for choosing **Optimax 25 OV**, a FERROLI wall-mounted boiler of the latest generation, featuring advanced design and cutting-edge technology.

**Optimax 25 OV** is a high-efficiency **condensing pre-mix** appliance for heating with extremely low emissions, running on natural gas or LPG.

The boiler consists of an aluminium laminar heat exchanger providing effective condensation of the water vapour contained in the flue gases, permitting extremely high efficiency.

Above the heat exchanger, in the boiler, there is a ceramic surface pre-mix burner, equipped with electronic ignition and ionization flame control, which achieves extremely low emissions while ensuring high reliability and long life operation.

The boiler is totally room sealed from the installation room: the air needed for combustion is drawn from outside. The boiler also includes a modulating speed fan, modulating gas valve, safety valve, temperature sensors, a safety thermostat and a flue gas sensor.

Thanks to the twin microprocessor control and adjustment system with advanced self-diagnosis, unit operation is for the most part automatic. The power for heating is automatically governed by the control system.

The user only has to set the temperature desired inside the home (by means of a room thermostat and or regulate the temperature of the system). The adjustment and control system will provide optimum operation throughout the year.

The display continuously provides information on the unit's operating status and it is easily possible to obtain additional information on the sensor temperatures, set-points, etc. or configure them. Any operating problems associated with the boiler or system is immediately signalled by the display and, if possible, corrected automatically.



## 1.2 Control panel

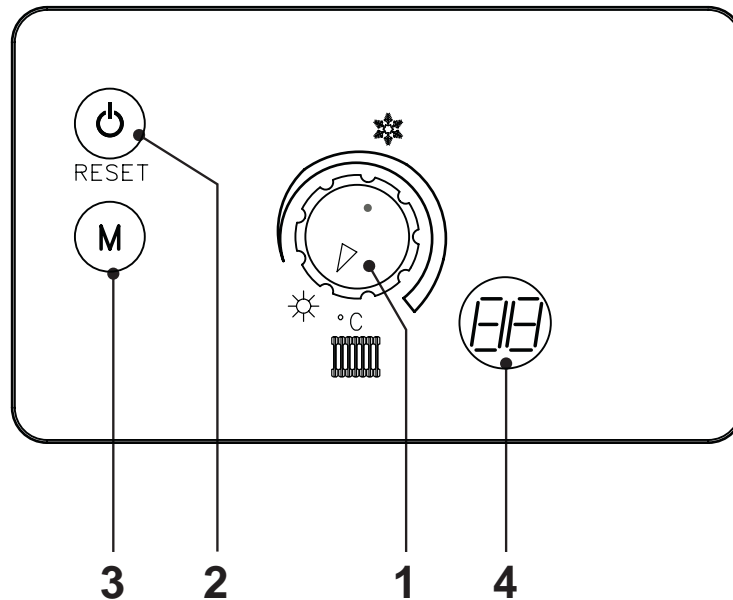


fig. 1

### **1 - System temperature adjustment / Summer/Winter selection**

This knob is used to adjust the system temperature and can switch over between summer / winter. To increase the system temperature, turn the knob clockwise; anticlockwise to decrease it. To select the summer mode, turn it anticlockwise to the minimum setting.

### **2 - ON-OFF / Reset / Test**

Holding the key down for at least 5 seconds turns off the boiler. To turn it back on, press the key again for 5 seconds.

Pressing the key resets boiler operation after a lock-out.

Pressing the key 3 times within 3 seconds automatically takes you to TEST operation.

### **3 - Multi-function**

In combination with the reset key, this is used to access the Installer menu.

### **4 - Operating display**


On stand-by and during boiler operation this indicates the boiler operating temperature, burner flame established (point at bottom lights up) or should a fault occur the appropriate code will appear within the display.


## 1.3 Turning ON and OFF

### Ignition

- Open the gas isolation valve on the boiler.
- Purge the gas supply taking the necessary precautions.
- Turn on the electrical switch at the 3amp switched fused spur.
- The boiler is now ready to function automatically whenever the external controls are calling for heat.

### Turning off

Press the  key for 5 seconds (see fig. 1).

When the boiler is turned off with this key, the printed circuit board is still powered, heating operation is disabled and the display appears  the frost protection will remain active.

Close the gas isolation valve under the boiler and disconnect electrical power.



To avoid damage caused by freezing during long shutdowns in winter, it is advisable to drain all water from the system.

## 1.4 Adjustments

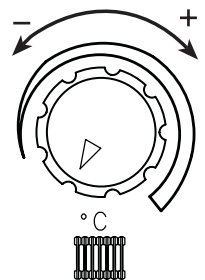
### Room temperature adjustment (Via room thermostat )

Using the room thermostat, set the temperature desired in the room. Controlled by the room thermostat, the boiler lights and heats the system water to the set system delivery setpoint temperature. The boiler turns off when the desired temperature in the rooms is reached, it will re-light when the room temperature falls below the setpoint level, providing there is still a demand from the time clock.

### Heating temperature setting

To set the system delivery temperature, turn the knob (ref. 1 - fig. 1). It can be varied from a minimum of 30 °C to a maximum of 90 °C.

Turning the knob sets the required temperature (clockwise to increase, anticlockwise to decrease) that is shown on the display. During the setting, the display quickly flashes and once defined it stops flashing after 2 sec. and reverts back to showing the actual operating temperature.



### Summer/Winter selection

To select Summer/Winter, use knob 1 (fig. 1).

Turning it onto  (Summer) turns off the heating function but the frost protection stays active.

Turning it onto  (Winter) turns on heating, via the time clock and room thermostat.



If the boiler is also used for hot water production do not select the summer position as this will disable both heating and hot water modes.

## 1.5 Maintenance

It is strongly recommended that an annual maintenance of the boiler is carried out by a qualified gas engineer. Please refer to the "maintenance" section in this manual.


The casing, the control panel and the aesthetic parts of the boiler can be cleaned using a soft and damp cloth.


Do not use abrasives or solvents.

## 1.6 Faults


In the event of operational faults, the display blinks and a fault identification code appears.

Listed below are the faults that can be caused by simple, user-detectable problems.

The boiler is equipped with an advanced self-diagnosis system. In the event of a problem with the boiler, or system the display will show the fault code. There are some faults that will require the end user to press RESET  (2 - fig. 1); if the boiler fails to start, it is necessary to rectify the fault indicated by the LED display (faults from 1 to 26); other faults cause temporary shutdown that are automatically reset as soon as the value comes back within the boiler's normal working range (faults from 30 to 46).

Example		
DISPLAY	Fault	Cure
01	Boiler failed to light	Make sure that the gas isolation valve on the boiler and on the gas meter are open. Press the RESET button  (2 Fig. 1).

If the problem remains after two attempts at resetting, contact your nearest FERROLI Caresafe. For other faults, refer to section 3.4 "Troubleshooting".

 Before calling the FERROLI Caresafe helpline, check that the problem is not due to there being no gas or electricity, and that all external controls are wired correctly and calling for heat.

## 2. INSTALLATION

### 2.1 General Instructions



This device must only be used for the purpose for which it is specially designed. This unit is designed to heat water to a temperature below boiling point and must be connected to a heating system and, compatible with its performance, characteristics and its heating capacity. Any other use is considered improper.

BOILER INSTALLATION MUST ONLY BE PERFORMED BY QUALIFIED PERSONNEL, IN ACCORDANCE WITH ALL THE INSTRUCTIONS GIVEN IN THIS TECHNICAL MANUAL, THE PROVISIONS OF CURRENT LAW, THE RECOMENDATION OF BS STANDARDS, ANY LOCAL REGULATIONS AND THE RULES OF COMPETENT WORKMANSHIP.

Incorrect installation can cause damage or physical injury for which the manufacturer declines any responsibility.

#### **This appliance must be installed strictly in accordance with these instructions and regulations:**

The Gas Safety Regulations (Installations & Use).

The Local Building Regulations.

The Building Regulations (Part L).

The Buildings Standards (Scotland - Consolidated) Regulations.

British Standards Codes of Practice:

- B.S. 5440 Part 1 Flues
- B.S. 5440 Part 2 Air supply
- B.S. 5449 FORCED CIRCULATION HOT WATER SYSTEMS
- B.S. 6798 INSTALLATION OF GAS FIRED HOT WATER BOILERS
- B.S. 6891 GAS INSTALLATIONS
- B.S. 7671 IEE WIRING REGULATIONS
- B.S. 4814 SPECIFICATION FOR EXPANSION VESSELS
- B.S. 5482 INSTALLATION OF LPG
- B.S. 7593 TREATMENT OF WATER IN DOMESTIC HOT WATER CENTRAL HEATING SYSTEMS
- B.S. 5546 INSTALLATION OF HOT WATER SUPPLIES FOR DOMESTIC PURPOSES

Model Water Bye Laws

- B.S. 5955-8 PLASTIC PIPEWORK INSTALLATION

For Northern Ireland the rules in force apply



## 2.2 Boiler location

The unit's combustion circuit is sealed off from the installation room. The installation room must be sufficiently well ventilated to prevent any dangerous conditions from forming in the event of even slight gas leakage. This safety standard is required by the EEC Directive no. 90/396 for all gas units, including those with a so-called sealed chamber.

Therefore the place of installation must be free of dust, flammable materials or objects or corrosive gases. The room must be dry and not subject to freezing.

The boiler is design to be installed on a solid wall. The wall fixing must ensure a stable and effective support for the appliance, using the bracket and fixings supplied.

If the unit is enclosed in cupboard or mounted alongside, there must be space for normal maintenance work. Fig. 2 and tab. 1 give the minimum clearances to leave around the unit.

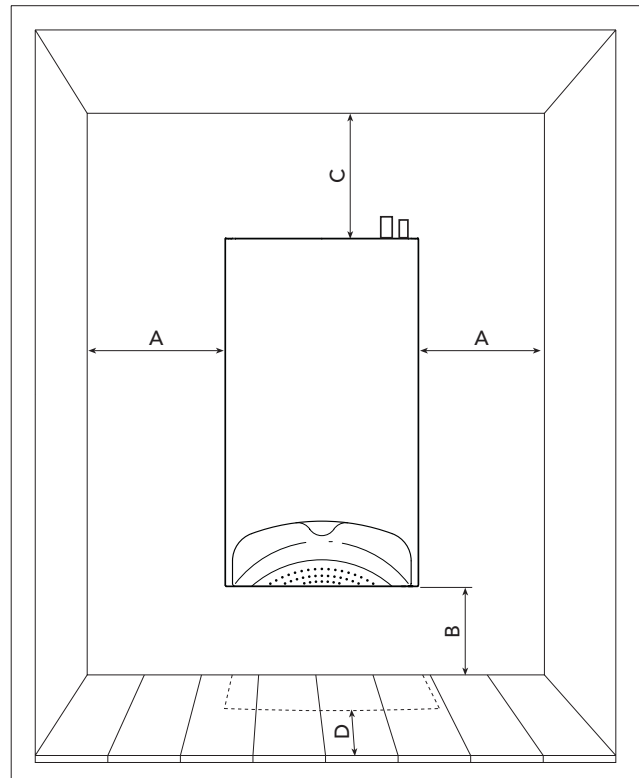


fig. 2


Table 1		
	Minimum	Recommended
A	30 mm	300 mm
B	200 mm	300 mm
C	280 mm	300 mm
D	15 mm (via an openable panel)	> 600 mm

### 2.3 Water connections

The heating capacity of the unit should be previously established by calculating the building's heat requirement according to current regulations. For good operation and long life of the boiler, the plumbing system must be well proportioned and always complete with all those accessories that guarantee regular operation and running.

If the flow and return pipes follow a path where air pockets could form in certain places, it is advisable to install air vents at these points. Also, install a drain plug at the lowest point in the system to allow its complete emptying, when required.

The temperature differential between the flow and the return to the boiler should not exceed 20° C (11° recommended).

 Do not use the water system pipes to earth electrical appliances.

Before installation, thoroughly clean all the pipes of the system to remove residues or impurities that could affect the unit's operation. Flush system in accordance with BS 7593.

Make the connections to the corresponding tappings as shown in fig. 3.

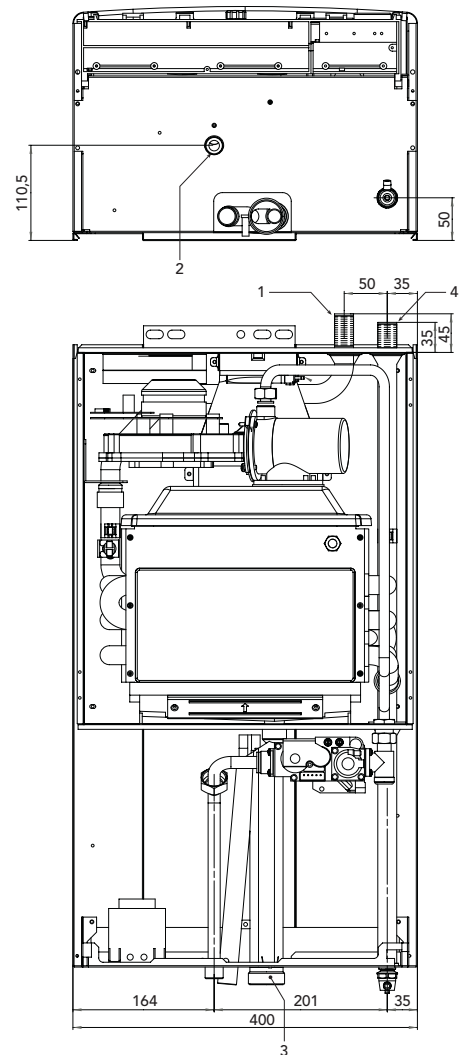
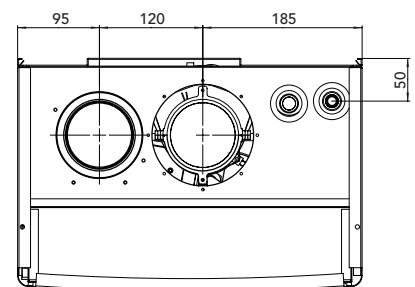



fig. 3

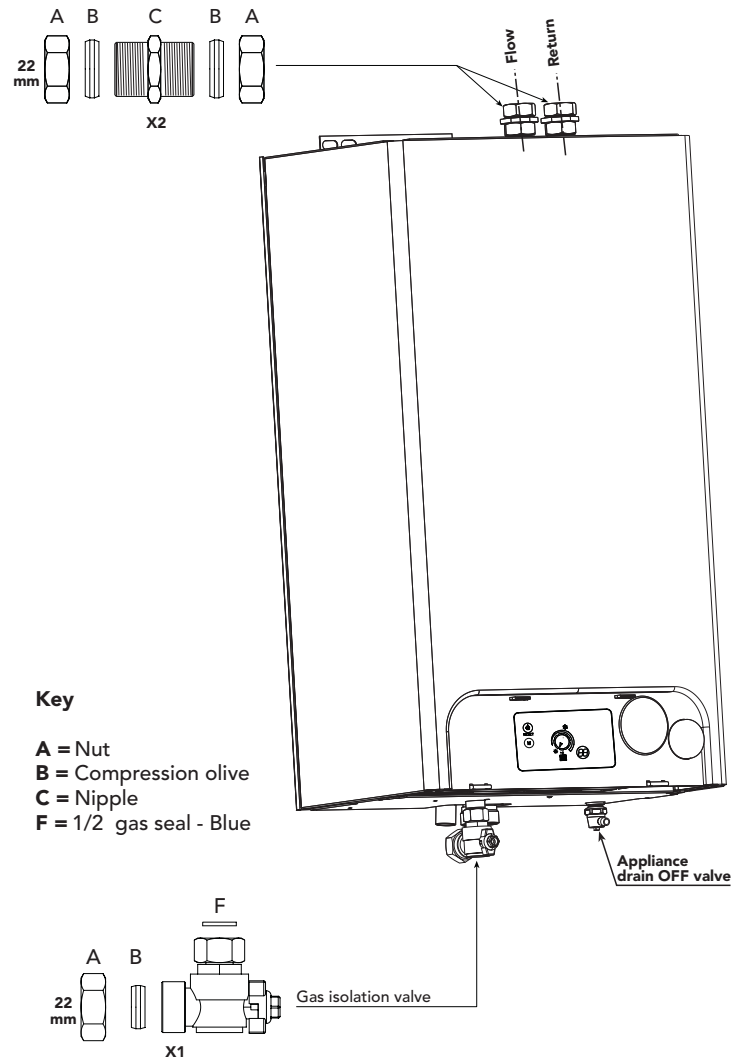
Key

- 1 CH flow (22 mm with compression coupler fitted)
- 2 Gas inlet (22 mm with isolation valve)
- 3 Condense outlet
- 4 CH return (22 mm with compression coupler fitted)



 It is advisable to install anti-tamper isolation valves between the boiler and heating system allowing the boiler to be isolated from the system if necessary.

The connecting kits shown in fig. 4 are supplied as standard.



## Make Up Water

This appliance is designed to work on an open vented fully pumped heating system only, (see fig 5 page 12). The make up of water must be made via a suitably sized cold feed and expansion tank installed to the current regulations.

This appliance is not suitable for gravity type installations or primatic type cylinders only indirect ones should be used.

The system must be fully pumped due to the complex design of the Alluminium Laminar heat exchangers high efficiency design.

Attention - is drawn to the Model Water Byelaws.

Fittings manufactured from duplex (alpha-beta) brass are not acceptable for underground use and certain water undertakings will not accept their use above ground.

**Schematic layout for fully pumped heating and hot water.**

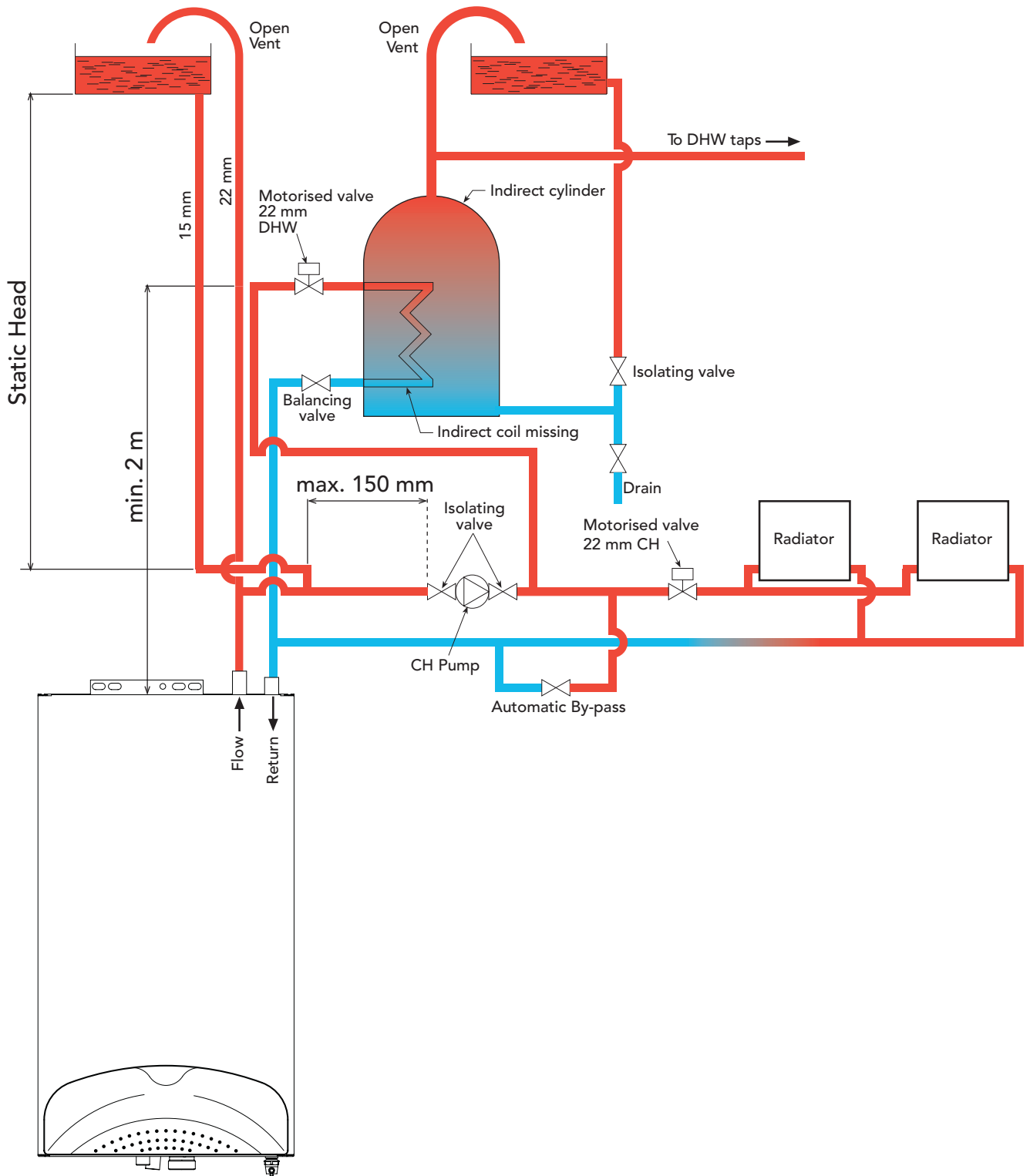


Fig. 5

## **Water treatment**

When treatment is used ferroli limited recommend only the use of Fernox or Sentinel water treatment products, which must be used in accordance with the manufactures instructions. for further information contact:

Fernox Manufacturing Co. LTD.  
Cookson Electronics, Farsyth Road  
Woking, surry, GU21 5RE  
Tel: 0870 8700362

Sentinel Division  
Betz Dearborn LTD  
Widnes, Cheshire WA8 8ND  
Tel: 0151 424 5351

Note - If the boiler is installed in an existing system any unsuitable additives must be removed by thorough cleansing. All systems should be cleansed according to B.S. 7593.

Note - In hard water areas treatment to prevent lime scale may be necessary.

Note - It is important that the correct concentration of the water treatment product is maintained in accordance with the manufacturers instructions.



## **2.4 Connection to the gas system**

If necessary the local Gas supplier should be consulted, at the installation planning stage, in order to establish the availability of an adequate supply of gas.

An existing service pipe must not be used without prior consultation with the local Gas supplier.

A gas meter can only be connected by the Local Gas supplier, or by a Local Gas suppliers Contractor.

Installation pipes should be fitted in accordance with BS6891.

Appliance inlet working pressure must be 20mbar MINIMUM, for NG and 37 mbar minimum for LPG.

Do not use pipes of a smaller size than the combination boiler inlet gas connection (22 mm).



The complete installation must be tested for gas soundness and purged as described in BS689. All pipework must be adequately supported. An isolating gas valve is provided and should be fitted on the boiler gas inlet. Please wait 10 minutes when lighting from cold before checking gas rate. Gas pressures should be checked after the boiler has operated for 10 minutes to reach thermal equilibrium.



The connecting kits shown in Fig. 4 are supplied as standard.

## **2.5 Electrical Connections**

The unit must be installed in conformity with current national and local regulations.

### **Connection to the electrical grid**

The boiler must be connected to a single-phase, 230 Volt-50 Hz electric line.



The unit's electrical safety is only guaranteed when correctly connected to an efficient earthing system executed according to current safety standards. Have the efficiency and suitability of the earthing system checked by professionally qualified personnel. The manufacturer is not responsible for any damage caused by failure to earth the system. Also make sure that the electrical system is adequate for the maximum power absorbed by the unit, as specified on the boiler dataplate, in particular ensuring that the cross sectional area of the system's cable is suitable for the power absorbed by the unit.

The boiler is prewired and provided with a cable for connection to the electricity supply. The connections to the supply must be made with a permanent connection and equipped with a double pole switch whose contacts have a minimum opening of at least 3 mm, and fused at max. 3A between the boiler and the supply. It is important to respect the polarities (LIVE: brown wire / NEUTRAL: blue wire / EARTH: yellow-green wire) when connecting to the electrical supply.

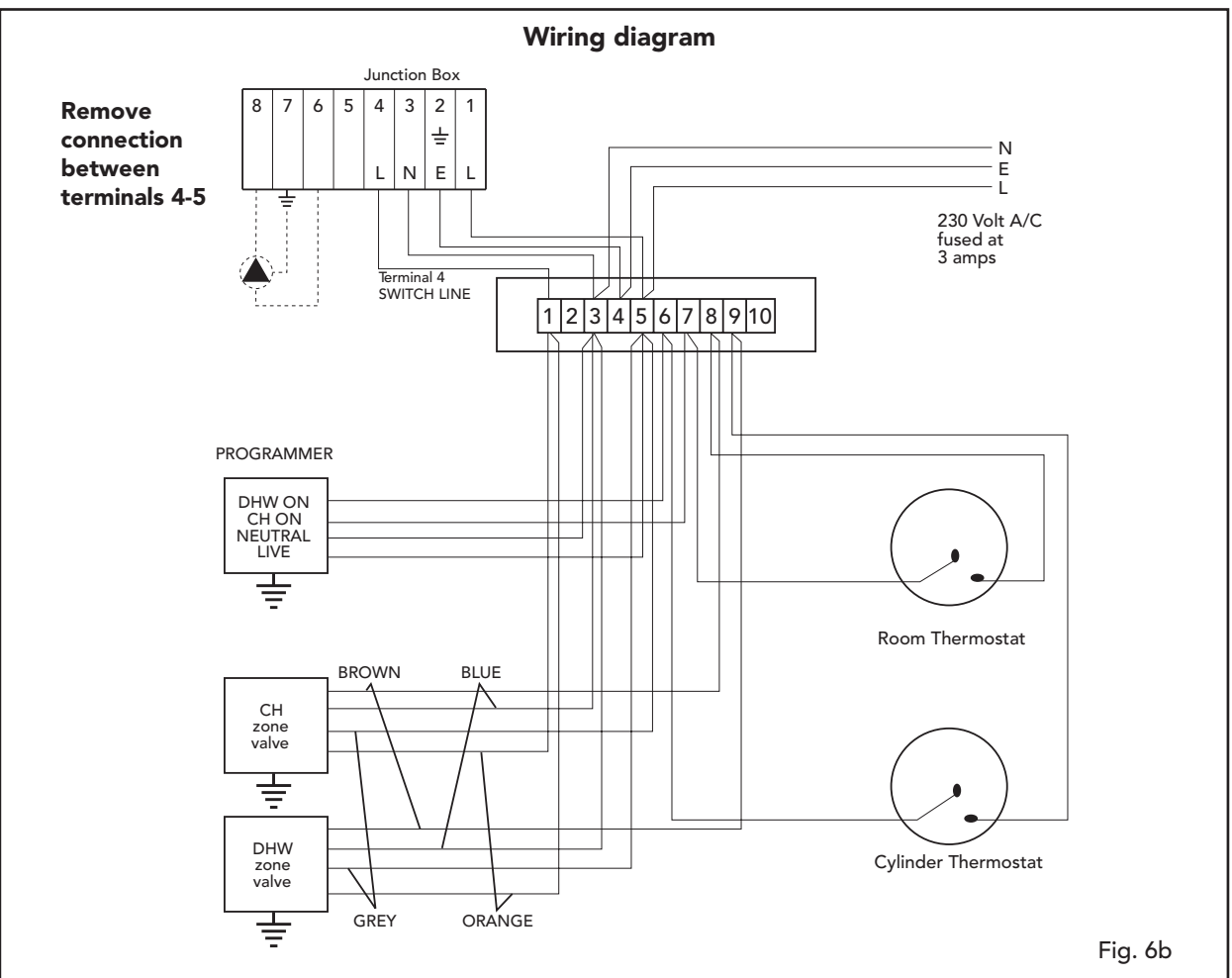
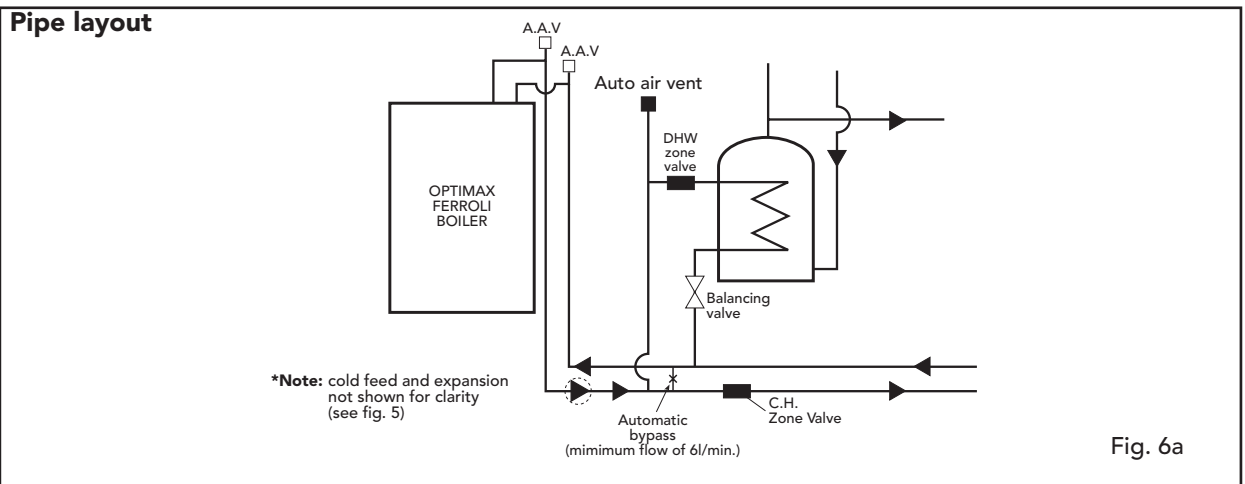
**Central heating request**

The heat demand can be done by the room thermostat (terminal 4-5) or by a switch line phase 230 V (terminal 4).

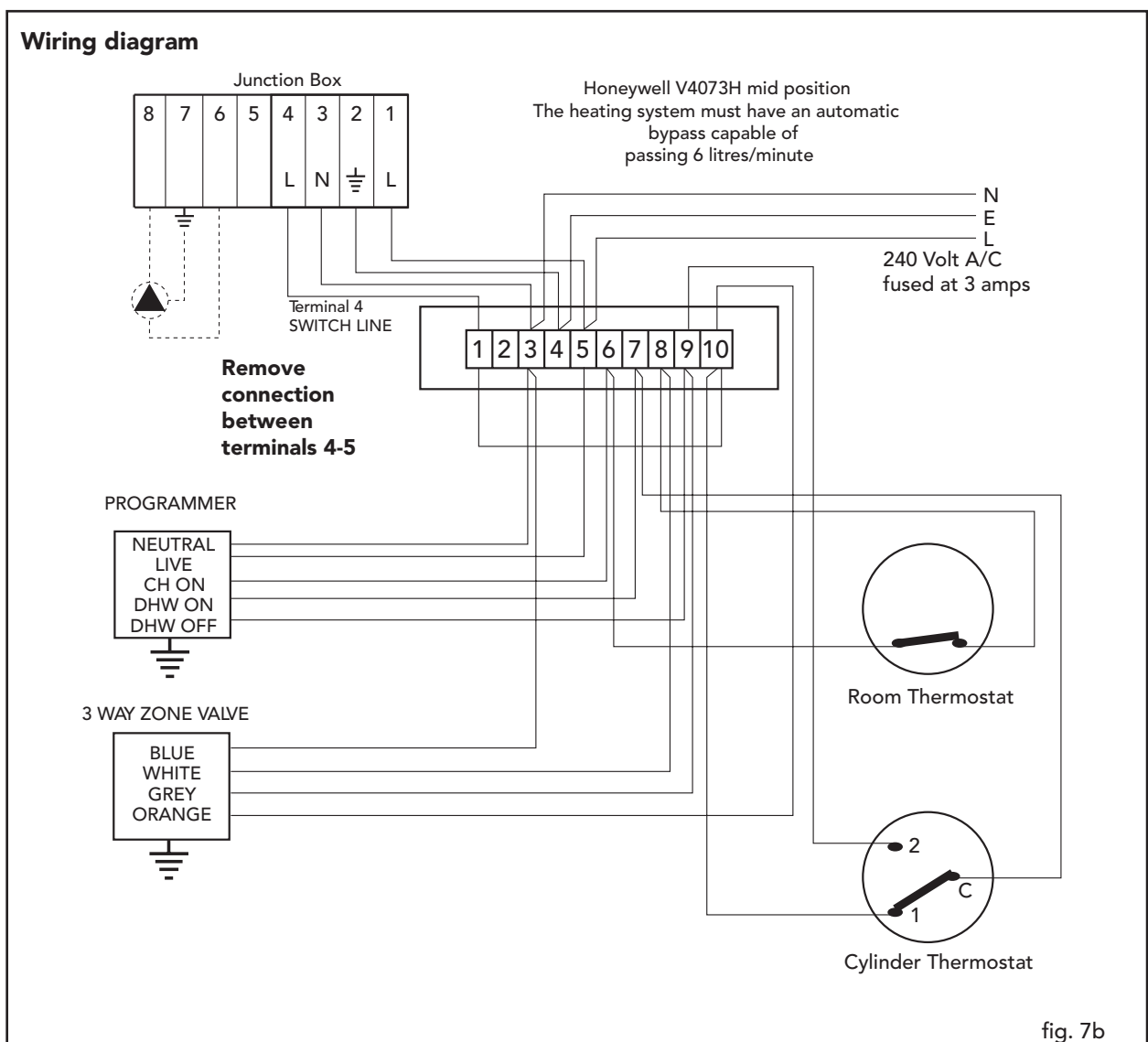
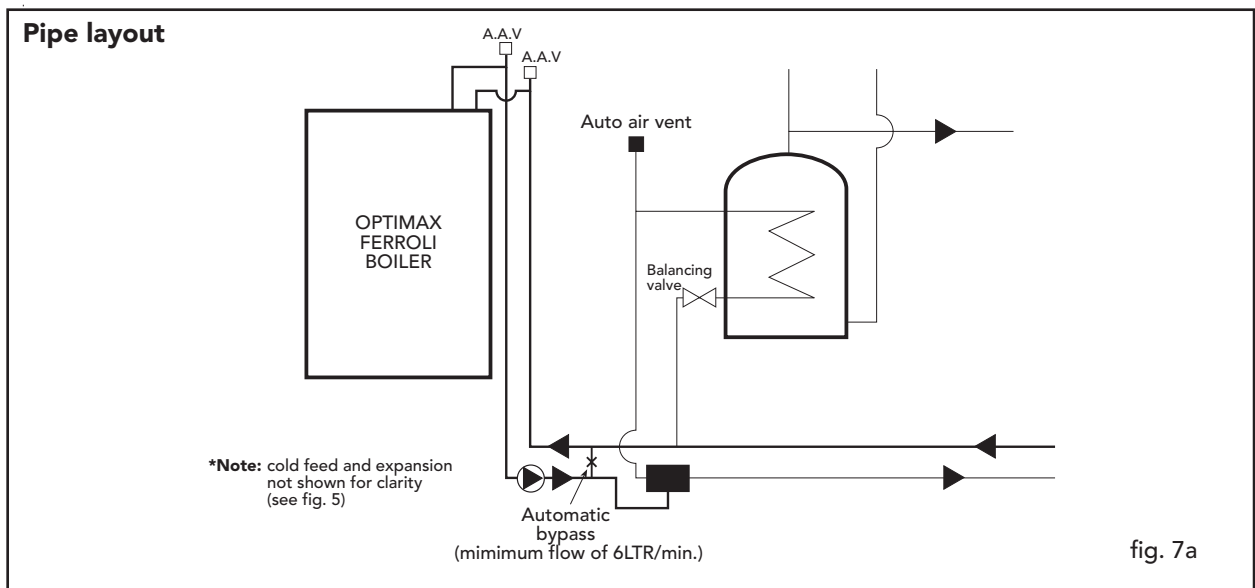
**Standard Systems**

For a general pipe layout and wiring diagram on the "S" and "Y" plan systems please see fig. 6a, 6b, and 7a, 7b.

**OPTIMAX "S" Plan**



## Optimax "Y" Plan



**!** The user must never change the unit's power cable. If the cable gets damaged, switch off the unit and have it changed solely by professionally qualified personnel. If changing the electric power cable, use only "HAR H05 VV-F" 3x0.75 mm<sup>2</sup> cable with a maximum outside diameter of 8 mm.

**Access to the electrical terminal board**

To access boiler electrical connections remove the screw and drop down electrical cover (fig. 8). The layout of the terminals for the various connections is given in the wiring diagram in fig 9 below.

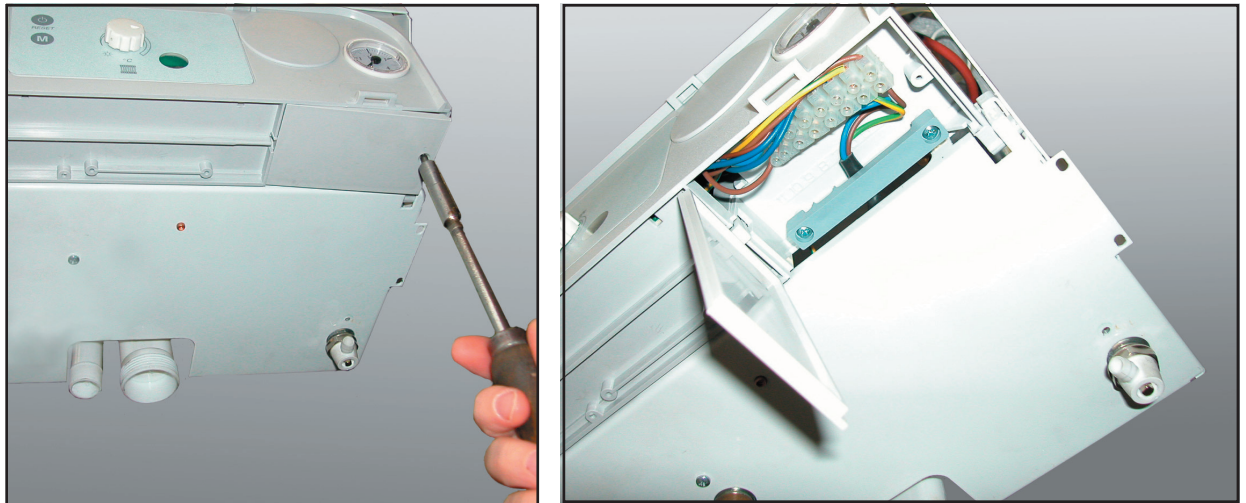


fig. 8

**Room thermostat**

**!** REMOVE CONNECTIONS 4 - 5 IF EXTERNAL CONTROL FITTED.  
**WARNING:** the room thermostat works at 230V.

**External Pump**

**!** The external pump must be connected to terminals 5, 6 (earth) and 7 of the terminal block (fig. 9), to allow the pump over-run circuit to operate.

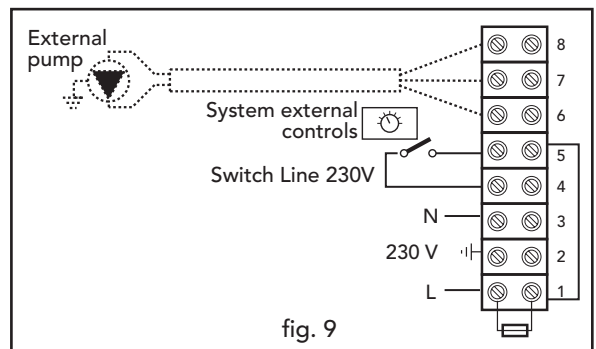


fig. 9

**2.6 Flue system**

The unit is "type C" with a sealed chamber and forced draught, the air inlet and flue outlet must be connected to one of the following flue systems. With the aid of the tables and methods of calculation indicated, before commencing installation, it is first necessary to check that the flue system does not exceed the maximum permissible length. The current standards and local regulations must be observed.

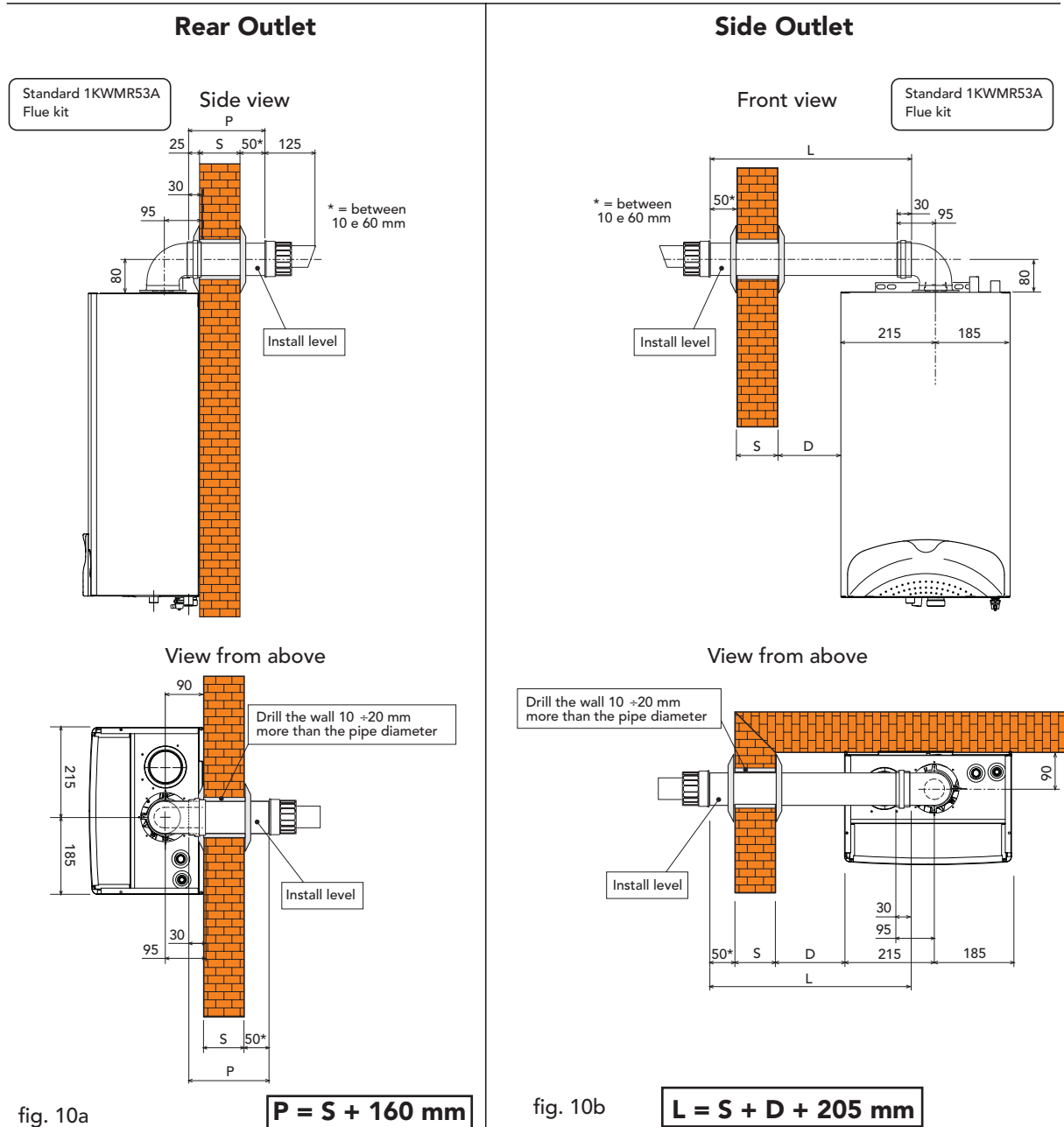
**!** It should be noted that only Ferrolì flue system and accessories should be used on this appliance, as per BS 5440 2000 and C.E. test certification.



## Connection with concentric flue system

The unit can be connected to a concentric air/flue duct with a wall or rooftop outlet as shown on the following drawings. Numerous accessories are available on request to meet the various installation requirements. Please refer to our "flue manual" or the price list.


### Standard concentric flue installation



## Horizontal flue installation

1. Define the position for installing the unit.
2. If using standard flue (1KWMR53A) this must be installed level, for non-standard flue lengths over 1mtr a fall of 3 mm per metre should be incorporated.
3. Make a hole of diameter 10 - 20 mm greater than the nominal diameter of the concentric pipe used.

4. If necessary, cut the end pipe to size, ensuring that the external pipe protrudes from the wall by between 10 and 60 mm (fig. 10a and 10b). Remove the cutting burrs.
5. Connect the flue to the boiler, positioning the seals correctly. Seal the flue into the wall with silicone or sand + cement and cover with wall seals provided.

 Flue seals should be lubricated with a silicone type grease to prevent damage (grease not supplied)

**Vertical Outlet**

The total length in equivalent metres of the concentric flue must not exceed the maximum lengths stated in the following table, note that each bend gives rise to the stated reduction. For example, a duct = 60/100 composed of 1 bend of 90° + 1 horizontal metre + 2 bends of 45° + 1 horizontal metre has a total equivalent length of 4 metres.

	Ø mm 60/100	Ø mm 80/125
Maximum permissible duct length (Horizontal)	5 m	12 m
Maximum permissible duct length (Vertical)	6 m	12 m

Reduction factors for bends	
Concentric bend at 90° - Ø 60/100 mm	1 m
Concentric bend at 45° - Ø 60/100 mm	0,5 m
Concentric bend at 90° - Ø 80/125 mm	0,5 m
Concentric bend at 45° - Ø 80/125 mm	0,25 m

**For the installation:**

1. Define the position for installing the unit.
2. Drill the wall for the air/flue pipe outlet according to the references stated in the table, considering that the horizontal sections of piping must have a gradient of approximately 3 mm per metre of length downwards to prevent any rainwater getting into the boiler.
3. Make a hole of diameter 10 - 20 mm greater than the nominal diameter of the coaxial pipe used to facilitate insertion.
4. If necessary, cut the end pipe to size, considering that the external pipe must protrude from the wall by between 10 and 60 mm (Fig. 10a and 10b). Eliminate the cutting burrs and lubricate seals.
5. Connect the ducts to the boiler, positioning the gaskets correctly and seal the wall coupling points with special sleeves.

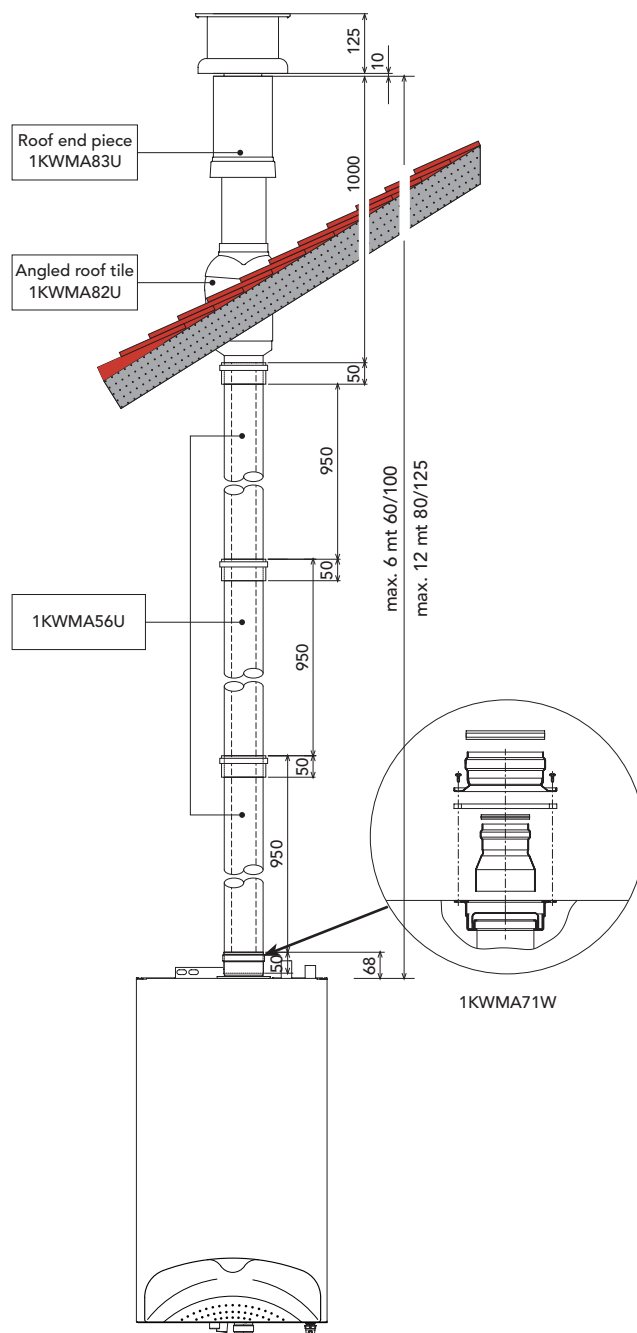


fig. 10c

## Connection with 80 mm pipe system

The unit can be connected to a system of separate air/fume ducts for a wall or rooftop outlet as shown on the drawings 11 - 12 alongside. Numerous accessories are available on request to meet the various installation requirements. The components used most frequently are stated in tables 4 - 5. Please refer to the flue manual or the price list for additional components.

To check you do not exceed the maximum permissible duct length, it is necessary to make a simple calculation before installation:

1. For each component, tables 4 - 5 provide an "equivalent load loss in linear metres", depending on the position of installation of the component (with air suction or flue extraction, vertical or horizontal). The loss is called "equivalent in linear metres" since it is compared to the loss of one metre of duct in air suction (defined as equal to 1). For example, a bend at 90° of Ø80 in flue extraction has an equivalent loss of 2.5 linear metres, i.e. it has a loss equal to that of 2.5 linear metres of duct in air suction.
2. After completely defining the layout of the two pipe flue system, add up the losses in equivalent metres, depending on the installation position, of all the components and accessories in the system.
3. Check that the total calculated loss is less than or equal to 75 equivalent metres, i.e. the maximum permissible for this model of boiler.

If the chosen flue system exceeds the maximum permissible limit, it is recommended to use ducts with a larger diameter for some sections.

Ref.	N° Pieces	Description	Equivalent loss
1	21	Vertical flue pipe Ø80	33,6 m
2	25	Vertical air pipe Ø80	25,0 m
3	1	Vertical outlet terminal	12,0 m
4	2	Kit (1KWMR54A)	0,6 m
<b>Total</b>			<b>71,2 m</b>

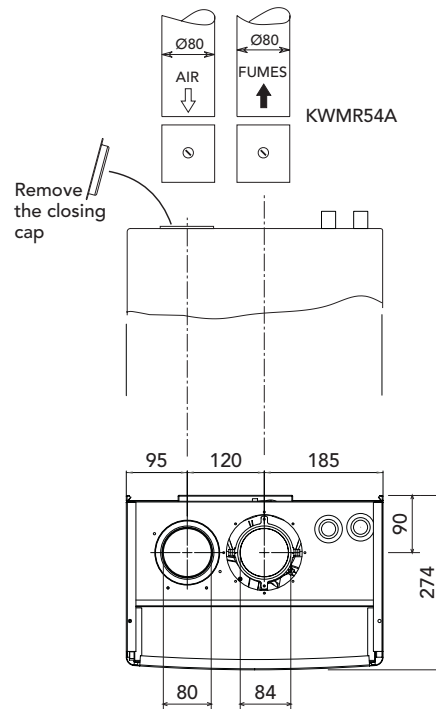


fig. 11

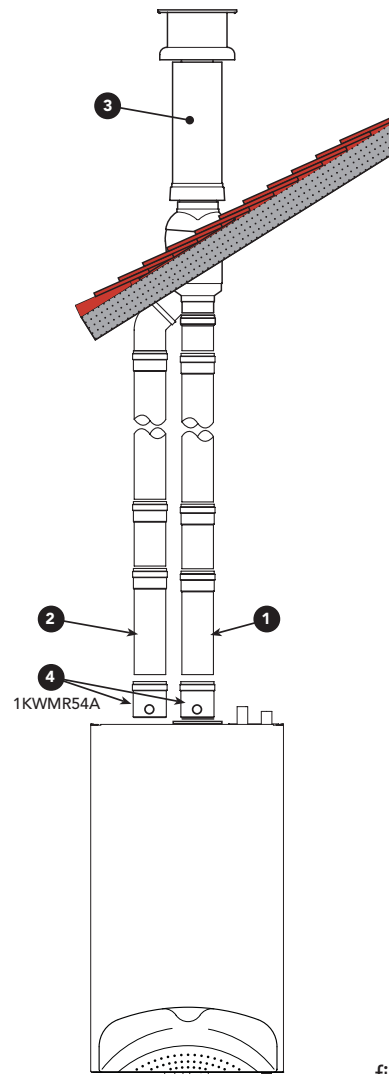


fig. 12

Table of flue and accessory

Table 4

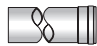





Accessories Ø 80		Equivalent losses in metres (linear)			
		Air		Flue	
Description		Vertical	Horizontal	Vertical	Horizontal
Pipe Ø 80 male-female	 KWMA83W • 1,00 m	1	1	1.6	2
Bend 45° Ø 80 mm male - female	 KWMA65W			1.2	1.8
Bend 90° Ø 80 mm male - female	 KWMA01W			1.5	2.0

Table 5

Accessories Ø 80		Equivalent losses in metres (linear)			
		Air		Flue	
Description		Vertical	Horizontal	Vertical	Horizontal
Horizontal flue terminal	 KWMA86A				5
Horizontal air terminal	 KWMA85A		2		
Vertical flue terminal	 KWMA84U				12

The stated loss values refer to genuine Ferroli flue accessories.

Terminal Position

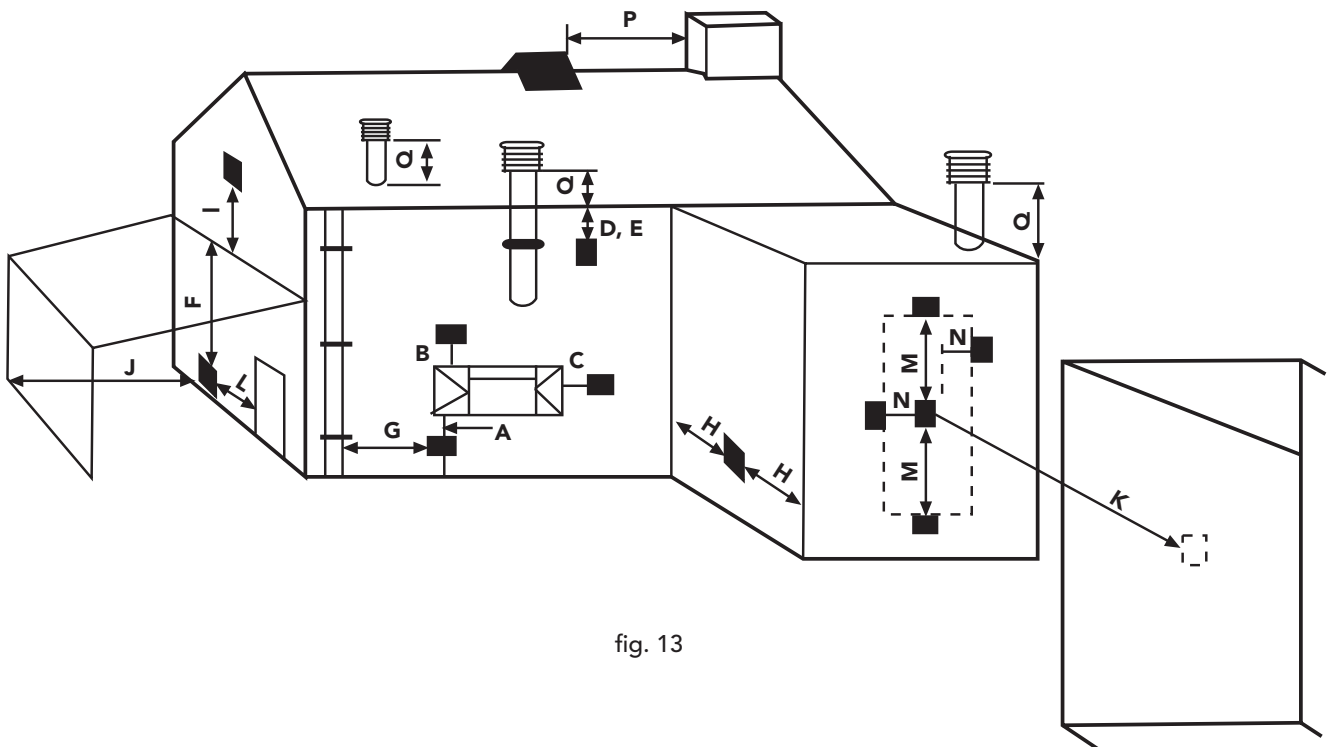


fig. 13

## Minimum Dimensions of Flue Terminal Positions

<b>A</b>	Directly below an opening, air brick, opening windows, etc.	300mm
<b>B</b>	Above an opening, air brick, opening windows, etc.	300mm
<b>C</b>	Horizontally to an opening, air brick, opening windows, etc.	300mm
<b>D</b>	Below gutters, soil pipes or drain pipes	75mm
<b>E</b>	Below eaves	200mm
<b>F</b>	Below balconies or car port roof	200mm
<b>G</b>	From a vertical drain pipe or soil pipe	150mm
<b>H</b>	From an internal or external corner	100mm
<b>I</b>	Above ground roof or balcony level	300mm
<b>J</b>	From a surface facing the terminal	600mm
<b>K</b>	From a terminal facing the terminal	1200mm
<b>L</b>	From an opening in the car port (e.g. door, window) into the dwelling	1200mm
<b>M</b>	Vertically from a terminal on the same wall	1500mm
<b>N</b>	Horizontally from a terminal on the same wall	300mm
<b>O</b>	From the wall on which the terminal is mounted	N/A
<b>P</b>	From a vertical structure on the roof	150mm
<b>Q</b>	Above intersection with roof	300mm

### NOTE

N/A = Not applicable

In addition, the terminal should not be nearer than 150mm (fanned draught) or 300mm (natural draught) to an opening in the building fabric formed for the purpose of accommodating a built-in element such as a window frame.

Condensing Terminal Positions: If the flue is to be terminated at low level, then the potential effect of the plume must be considered.

The plume should not be directed:

- across a frequently used access route
- towards a window or door
- across a neighbouring property

**Connection to collective flues or single flues with natural draught**

If you are then going to connect the Optimax 25 OV boiler to a collective flue or a single flue with natural draught, the flue must be expressly designed by professionally qualified technical personnel in conformity with the standards and rules in force.

In particular, flues must have the following characteristics:

- Be sized according to the method of calculation stated in the standard
- Be airtight to the products of combustion, resistant to the fumes and heat and waterproof for the condensate
- Have a circular or quadrangular cross-section (some hydraulically equivalent sections are permissible), with a vertical progression and with no constrictions
- Have the flue conveying the hot fumes adequately distanced or isolated from combustible materials
- Be connected to just one unit per floor, for at most 6 units in all (8 if there is a compensation duct or opening)
- Have no mechanical suction devices in the main ducts
- Be at a lower pressure, all along their length, under conditions of stationary operation
- Have at their base a collection chamber for solid materials or condensation of at least 0.5 m, equipped with a metal door with an airtight closure.

**2.7 Condensate outlet connection**

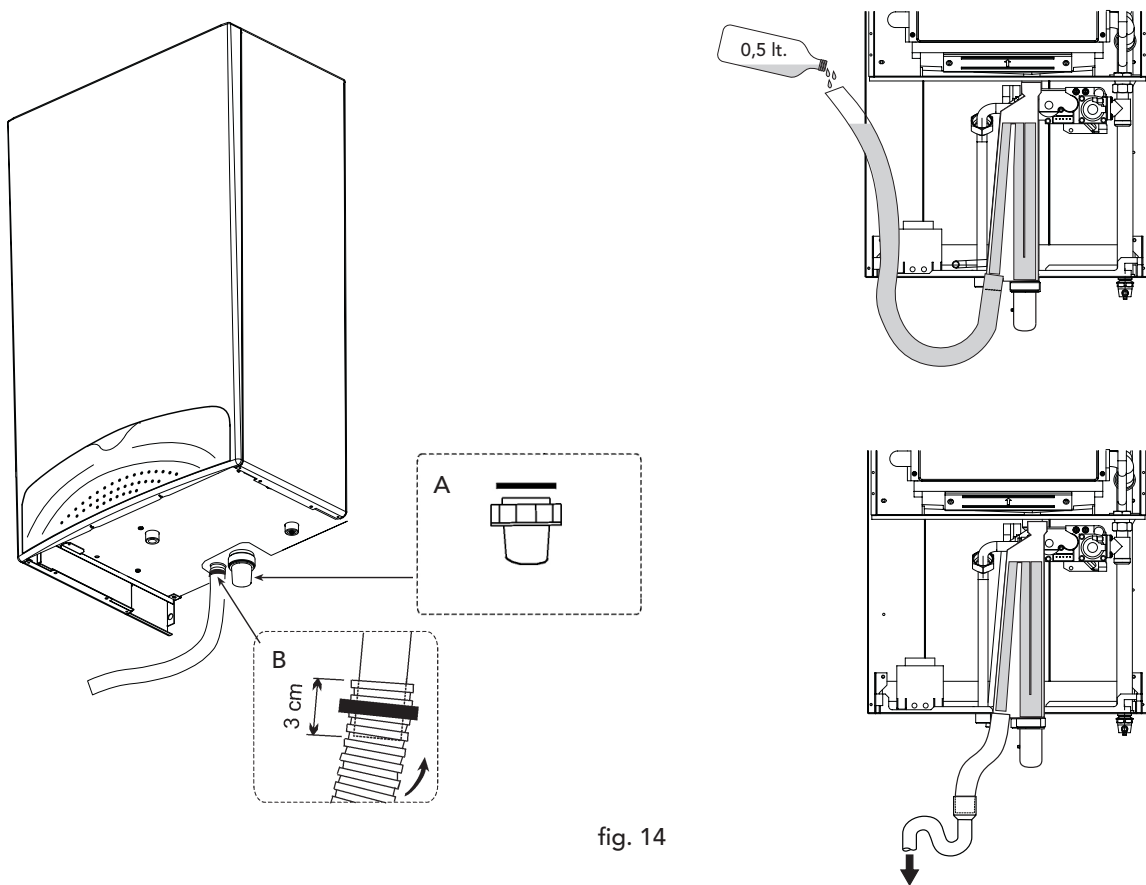


fig. 14

The boiler is equipped with an internal air-trap to drain off the condensate. Fit the inspection bowl A and the hose B, pushing it on for approximately 3 cm and securing it with a hose clamp.

Fill the air-trap with approximately 0.5 ltrs of water and connect the hose to the household waste system.

## Condensate discharge

Where possible the condensate should discharge into an internal soil pipe or waste system. The minimum pipe diameter required is 22 mm, a trap has already been fitted to the appliance with a flexible tail to facilitate the connection to the condensate discharge pipe.

The pipe should be a solvent weld plastic, not copper, as the condensate has a ph value of 4 (slightly acidic).

Where it is not possible to terminate internally, the condensate discharge pipe may be run outside (see below drawing).

Any external run is subject to freezing, in severe weather conditions. To avoid this the pipework should be installed to dispose of the condensate quickly, with as much as possible run internally, before passing through the wall.

Pipework external to the building should be increased in diameter to 32 or 40 mm solvent weld. It should be run to a external drain or soakaway, with a maximum length of 3 metres.

If a soakaway (condensate absorption point) is used, it should be constructed as shown below.

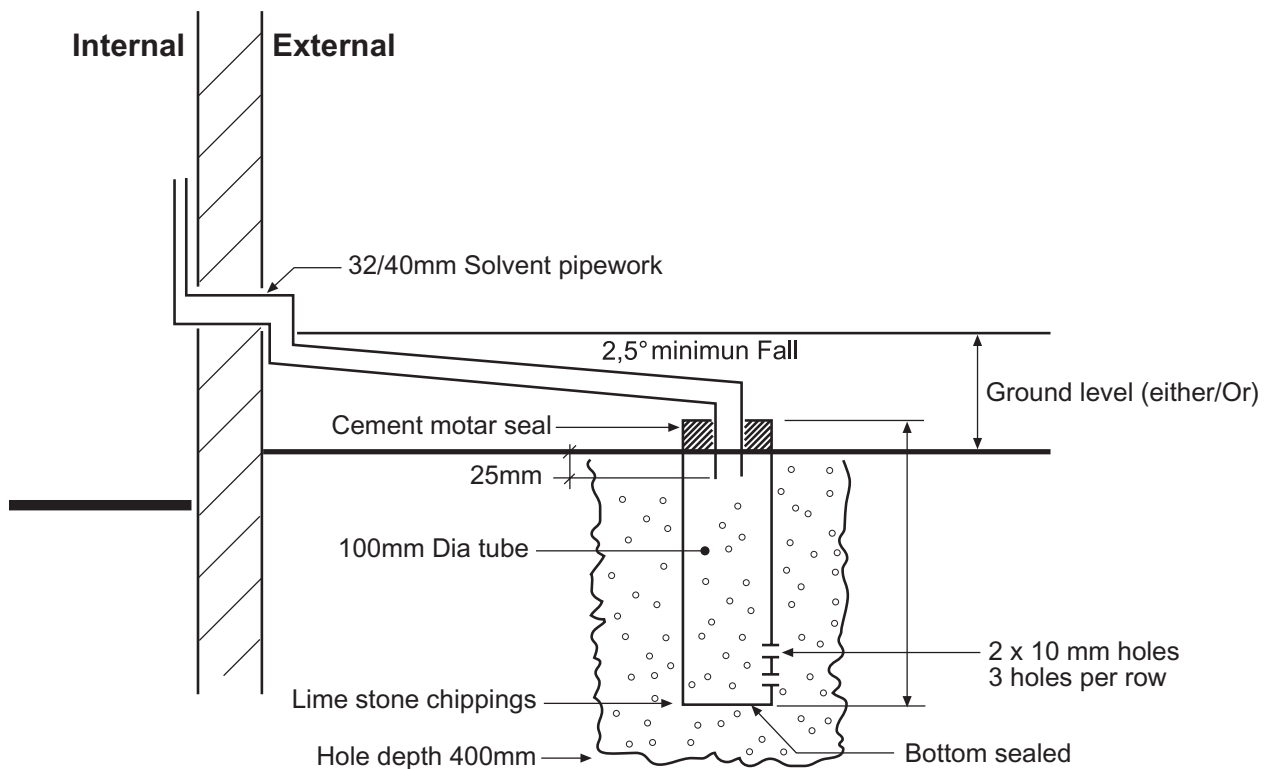


fig. 15

**Note** As an alternative you can use a purpose made soakaway such as the M<sup>c</sup> Alpine one, code SOAK1GR. This only requires the limestone chippings and the waste pipe from the the appliance to the soakaway.

### 3. SERVICE AND MAINTENANCE

#### 3.1 Adjustments

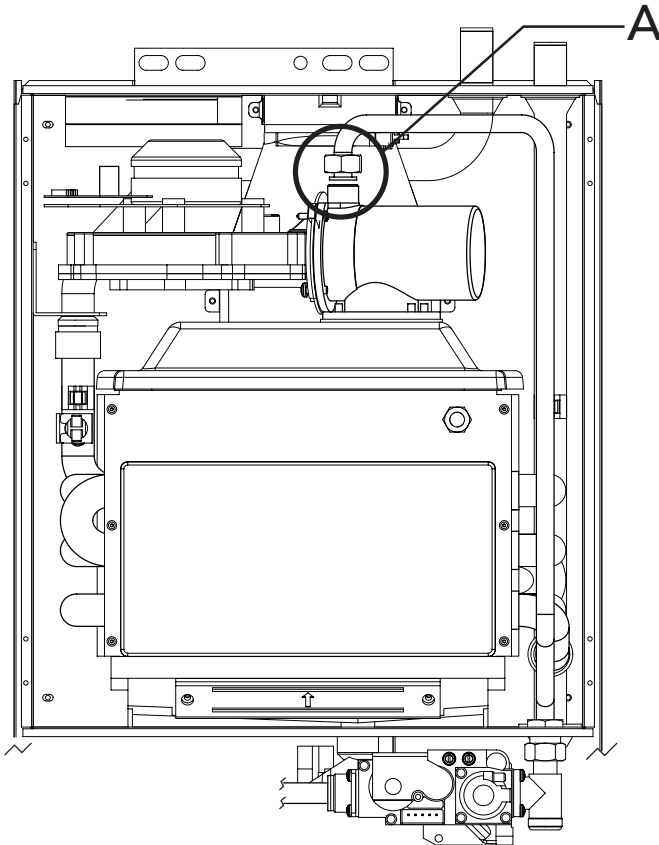
All adjustment and conversion operations must be carried out by Qualified Personnel such as the personnel of the Local After-Sales Technical Service.

FERROLI declines any responsibility for damage or physical injury caused by unqualified and unauthorized persons tampering with the device.

##### Gas supply conversion

The unit can function with either Natural Gas or LPG and is factory-set for use with one of the two gases, as clearly shown on the packing and on the unit's dataplate. Whenever a different gas to that for which the unit is preset has to be used, a conversion kit will be required, proceeding as follows:

- 1 Remove the casing.
- 2 Open the airtight chamber.
- 3 Unscrew the gas coupling A on the air/gas mixer.
- 4 Replace the injector in the mixer with the one contained in the conversion kit.
- 5 Refit the coupling A and check the connection is gastight.
- 6 Apply the sticker, contained in the conversion kit, near the dataplate.
- 7 Fit the airtight chamber and casing back on.
- 8 Check working pressure.
- 9 Set CO<sub>2</sub> mixture as detailed (page 27).



	Natural gas	LPG
Nozzle Ø	See Technical data table	

fig. 16





## 3.2 System start-up



Commissioning must be performed by Qualified Personnel. Checks to be made at first ignition, and after all maintenance operations that involved disconnecting from the systems or an intervention on safety devices or parts of the boiler:

### **Before lighting the boiler:**

- Open any isolation valves between the boiler and the systems.
- Check the tightness of the gas system, proceeding with caution and use gas leak detection fluid to detect any leaks in connections.
- Fill the water system and make sure that all air contained in the boiler and the system has been vented by opening the air vent valve on the boiler and any vent valves on the system.
- Make sure there are no water leaks in the system, hot water circuits, connections or boiler.
- Make sure the electrical system is properly connected.
- Make sure that the unit is connected to a good earthing system.
- Make sure there are no flammable liquids or materials in the immediate vicinity of the boiler.
- Ensure the flue system is correctly installed, including terminal locations.

### **Ignition**

- Open the gas isolation valve upstream of the boiler.
- Purge the gas supply and appliance
- Switch on the boiler 3amp fused spur.
- The boiler is now ready to function automatically whenever the external controls call for heating.





In case of an electrical power failure while the boiler is working, the burner will go out. When power returns, the boiler will run the self-test cycle again, after which the burner will automatically re-ignite (if there is still demand for heat).

### **Checks during operation**

- Check the tightness of the gas circuit and water systems.
- Check the efficiency of the flue and air-flue ducts while the boiler is working.
- Check that the water is circulating properly between the boiler and the system.
- Make sure that the boiler modulates correctly.
- Check the proper ignition of the boiler by performing various tests, turning it on and off with the room thermostat or remote control.
- Make sure that the fuel consumption indicated on the meter corresponds to that given in the technical data table in chap. 4.
- Check the parameters are programmed correctly and perform any required customization (power, temperatures, etc.).

### **Turning off**

Press the  key for 5 seconds (see fig. 1).

When the boiler is turned off with this key, the printed circuit board is still powered, heating operation is disabled and the display appears  but the frost protection, will still operate.

Close the gas isolation valve on the boiler and disconnect electrical power.



To avoid damage caused by freezing during long shutdowns in winter, it is advisable to drain all water from the boiler, or add a suitable antifreeze to the heating system.

### 3.3 Maintenance



The following operations are strictly reserved for Qualified Personnel, such as corgi registered engineers or Ferroli personnel.

#### **Seasonal inspection of the boiler and flue**

It is advisable to carry out the following checks at least once a year:

- The control and safety devices (gas valve, thermostats, etc.) must function correctly.
- The flue terminal end piece and ducts must be free of obstructions and leaks.
- The gas and water systems must be sound.
- The burner and exchanger must be clean.
- The electrodes must be free of scale and correctly positioned.
- The system vented to ensure no air present.
- The expansion vessel must be filled to 1 bar cold with zero system pressure.
- The gas flow and pressure must correspond to that given in the respective tables.



## Opening the casing

To open the boiler casing, you need to follow the sequence given below and the instructions of fig. 17.

- 1 Using a screwdriver, fully unscrew the 2 screws "A"
- 2 Open by lowering the panel "B"
- 3 Lift and take off the panel "C"

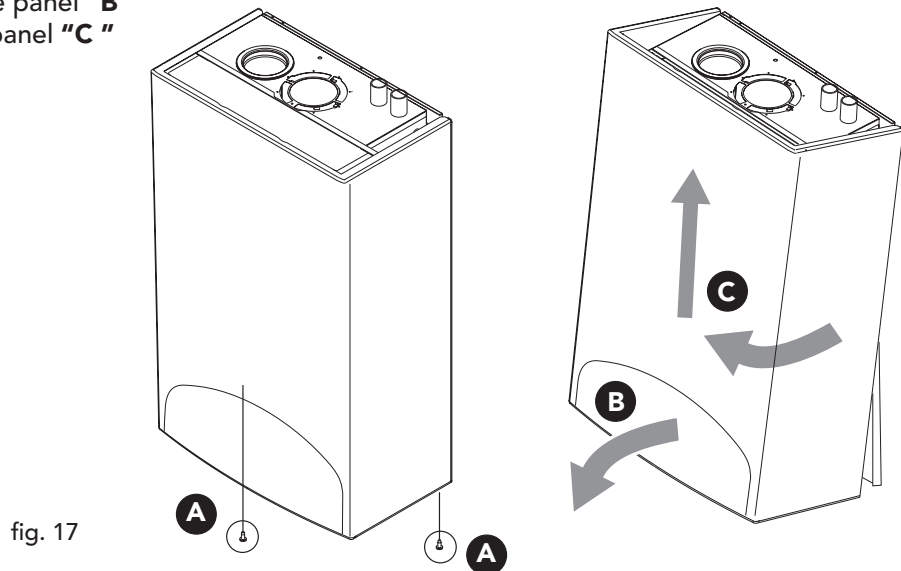


fig. 17

## Cleaning the boiler and burner

The body and burner must not be cleaned with chemical products or wire brushes. Special care must be taken over all the sealing systems pertaining to the sealed chamber (gaskets, cable clamps, etc.). In addition, it is necessary to pay attention after performing all these operations to check and carry out all the phases of ignition and thermostat operation and the gas valve.




After these checks, make sure there are no gas leaks.

## Combustion analysis

It is possible to analyse the combustion through the air and fume sampling points shown in fig. 18.

To make the measurement, it is necessary to:

- 1) Open the air and fume sampling points
- 2) Insert the probes;
- 3) Press RESET  key for 3 times in the 3 seconds to turn on TEST mode;
- 4) Wait 10 minutes for the boiler to stabilize
- 5) Take the measurement.

CO<sub>2</sub> = 8,7÷9 % for NAT GAS

CO<sub>2</sub> = 9,5÷10 % for L.P.G.

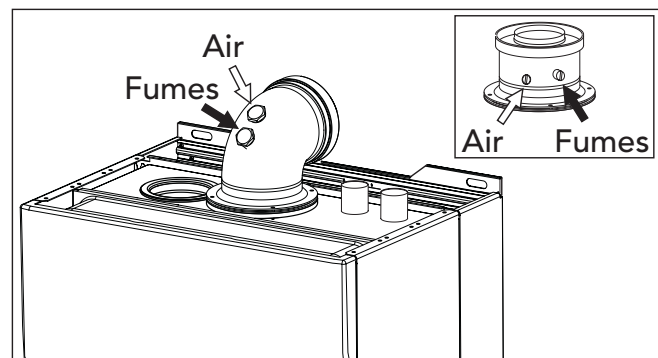


fig. 18



Analyses made with an unstabilized boiler can cause measurement errors.

## 3.4 Troubleshooting

### Fault Diagnosis

In the event of operating problems or trouble, the display flashes and a fault identification code appears.

There are faults that in order to restore operation the RESET button must be pressed or (ref.2 - fig. 1); if the boiler fails to start, it is necessary to resolve the fault (from no. 1 to no. 24). Other faults cause temporary shutdowns that are automatically reset as soon as the value comes back within the boiler's normal working range (faults from 25 to 46).

When the boiler starts functioning normally again, the display stops flashing and the fault code disappears.

Table 6

	Fault	Possible cause	Cure
F1	No burner ignition	<ul style="list-style-type: none"> <li>No gas</li> <li>Detection or ignition electrode fault</li> <li>Defective gas valve</li> <li>Incorrect inlet gas pressure</li> <li>Siphon obstructed</li> </ul>	<ul style="list-style-type: none"> <li>Check the regular gas flow to the boiler and the air has been purged from the pipes.</li> <li>Check that the electrodes are correctly positioned and free of any deposits</li> <li>Check and change the gas valve</li> <li>Check inlet gas pressure</li> <li>Check and if necessary change the siphon</li> </ul>
F2	flame detected with the burner off	<ul style="list-style-type: none"> <li>Ionization electrode defected</li> <li>Main board defected</li> </ul>	<ul style="list-style-type: none"> <li>Check the ionizing electrode wiring</li> <li>Check the CVBC</li> </ul>
F3	Safety thermostat trips	<ul style="list-style-type: none"> <li>Flow sensor not active</li> <li>No system circulation</li> </ul>	<ul style="list-style-type: none"> <li>Check the correct positioning and operation of the Flow sensor</li> <li>Check the pump and radiator valves present in the system</li> </ul>
F5	Fan problem	<ul style="list-style-type: none"> <li>Tachometer signal interrupted</li> <li>Fan damaged</li> </ul>	<ul style="list-style-type: none"> <li>Check the wiring</li> <li>Check the fan</li> </ul>
F8	No flame after the ignition phase	<ul style="list-style-type: none"> <li>PCB trouble</li> <li>Mains interference</li> </ul>	<ul style="list-style-type: none"> <li>Check and if necessary change the PCB</li> <li>Check the earthing</li> </ul>
F9	No communication between the electronic unit and the gas valve	<ul style="list-style-type: none"> <li>Incorrect wiring</li> <li>Damaged valve</li> </ul>	<ul style="list-style-type: none"> <li>Check the wiring</li> <li>Check the components</li> <li>Change the valve</li> </ul>
F10 ÷ F22	Microprocessor trouble	<ul style="list-style-type: none"> <li>Microprocessor operating trouble</li> </ul>	<ul style="list-style-type: none"> <li>Cut off and restore the electricity supply. If the trouble remains, check and/or change the main CVBC unit</li> </ul>

	Fault	Possible cause	Cure
F25	Software fault	<ul style="list-style-type: none"> <li>• Software operating fault</li> </ul>	<ul style="list-style-type: none"> <li>• Cut off and restore the electricity supply. If the trouble remains, check and/or change the main CVBC</li> </ul>
F26	No flame after the ignition phase (5 times in 4 min.)	<ul style="list-style-type: none"> <li>• Detection electrode fault</li> <li>• Flame instable</li> <li>• Incorrect valve gas Offset</li> <li>• Flue gas circuit obstructed</li> <li>• Siphon obstructed</li> </ul>	<ul style="list-style-type: none"> <li>• Check that the electrode is correct positioned and is necessary change it</li> <li>• Check the burner</li> <li>• Check Offset at the minimum power</li> <li>• Check if flue gas circuit is free</li> <li>• Clean and if necessary change the siphon</li> </ul>
F30	Flow sensor fault	<ul style="list-style-type: none"> <li>• Sensor damaged or short circuited</li> </ul>	<ul style="list-style-type: none"> <li>• Check the wiring or change the sensor</li> </ul>
F31	Flow sensor fault	<ul style="list-style-type: none"> <li>• Sensor damaged or wiring broken</li> </ul>	<ul style="list-style-type: none"> <li>• Check the wiring or change the sensor</li> </ul>
F34	Supply voltage under 190V. or over 250V.	<ul style="list-style-type: none"> <li>• Electric mains fault</li> </ul>	<ul style="list-style-type: none"> <li>• Check the electrical system</li> </ul>
F35	Irregular mains frequency	<ul style="list-style-type: none"> <li>• Electric mains fault</li> </ul>	<ul style="list-style-type: none"> <li>• Check the electrical system</li> </ul>
F36	Electronic PCB trouble		<ul style="list-style-type: none"> <li>• Change the electronic CVBC</li> </ul>
F37	Incorrect system water pressure	<ul style="list-style-type: none"> <li>• Wiring broken</li> </ul>	<ul style="list-style-type: none"> <li>• Check connection between 5-8 terminals of X7 on the display board</li> </ul>
F43	Return sensor fault	<ul style="list-style-type: none"> <li>• Sensor damaged or wiring shorted</li> </ul>	<ul style="list-style-type: none"> <li>• Check the wiring or change the sensor</li> </ul>
F44	Return sensor fault	<ul style="list-style-type: none"> <li>• Sensor damaged or wiring broken</li> </ul>	<ul style="list-style-type: none"> <li>• Check the wiring or change the sensor</li> </ul>
F45	Flue sensor fault	<ul style="list-style-type: none"> <li>• Sensor damaged or wiring shorted</li> </ul>	<ul style="list-style-type: none"> <li>• Check the wiring or change the sensor</li> </ul>
F46	Flue sensor fault	<ul style="list-style-type: none"> <li>• Sensor damaged or wiring broken</li> </ul>	<ul style="list-style-type: none"> <li>• Check the wiring or change the sensor</li> </ul>



# 4 TECHNICAL CHARACTERISTICS AND DATA

## 4.1 Dimensions and connections

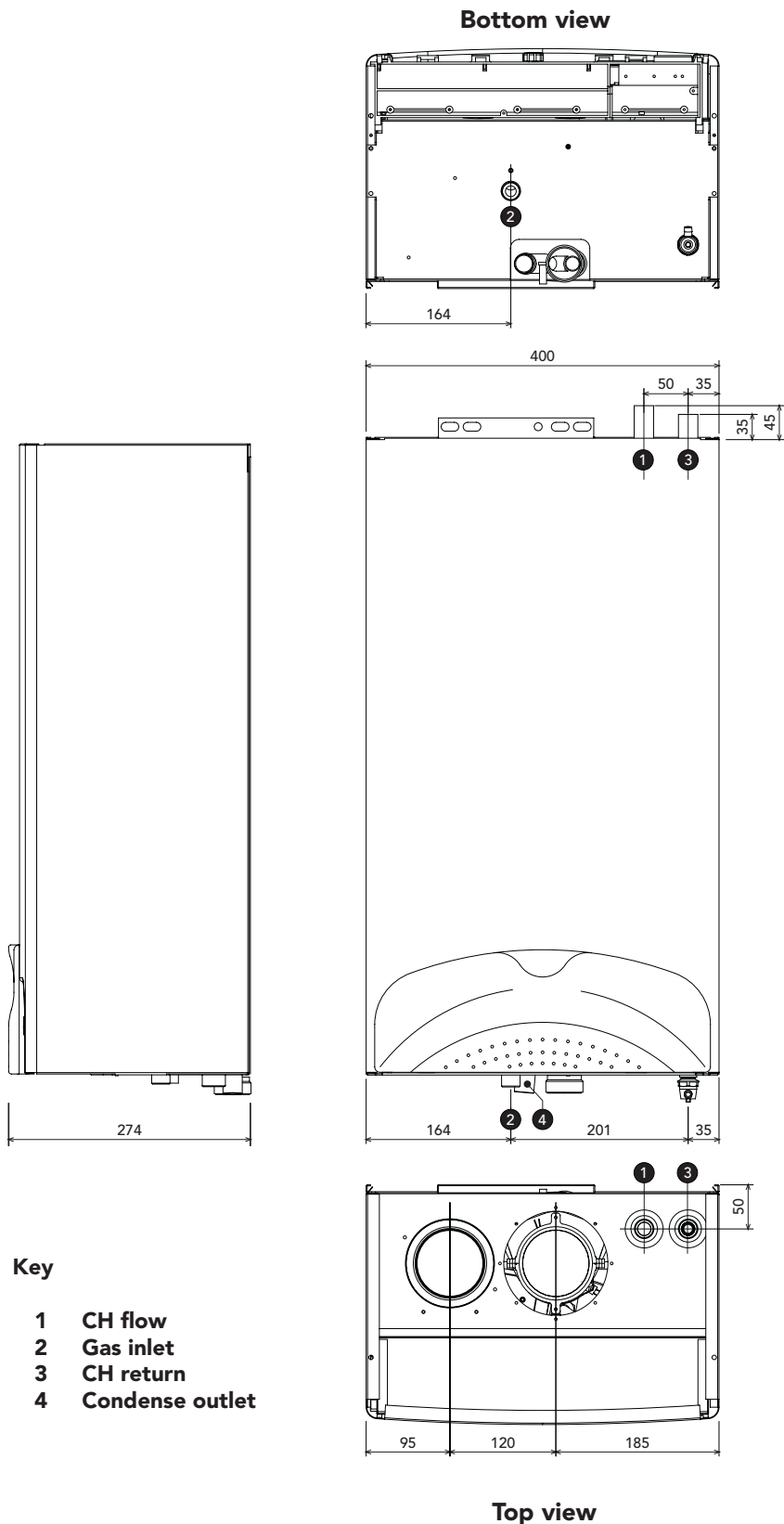


fig. 19

## 4.2 General view and main components

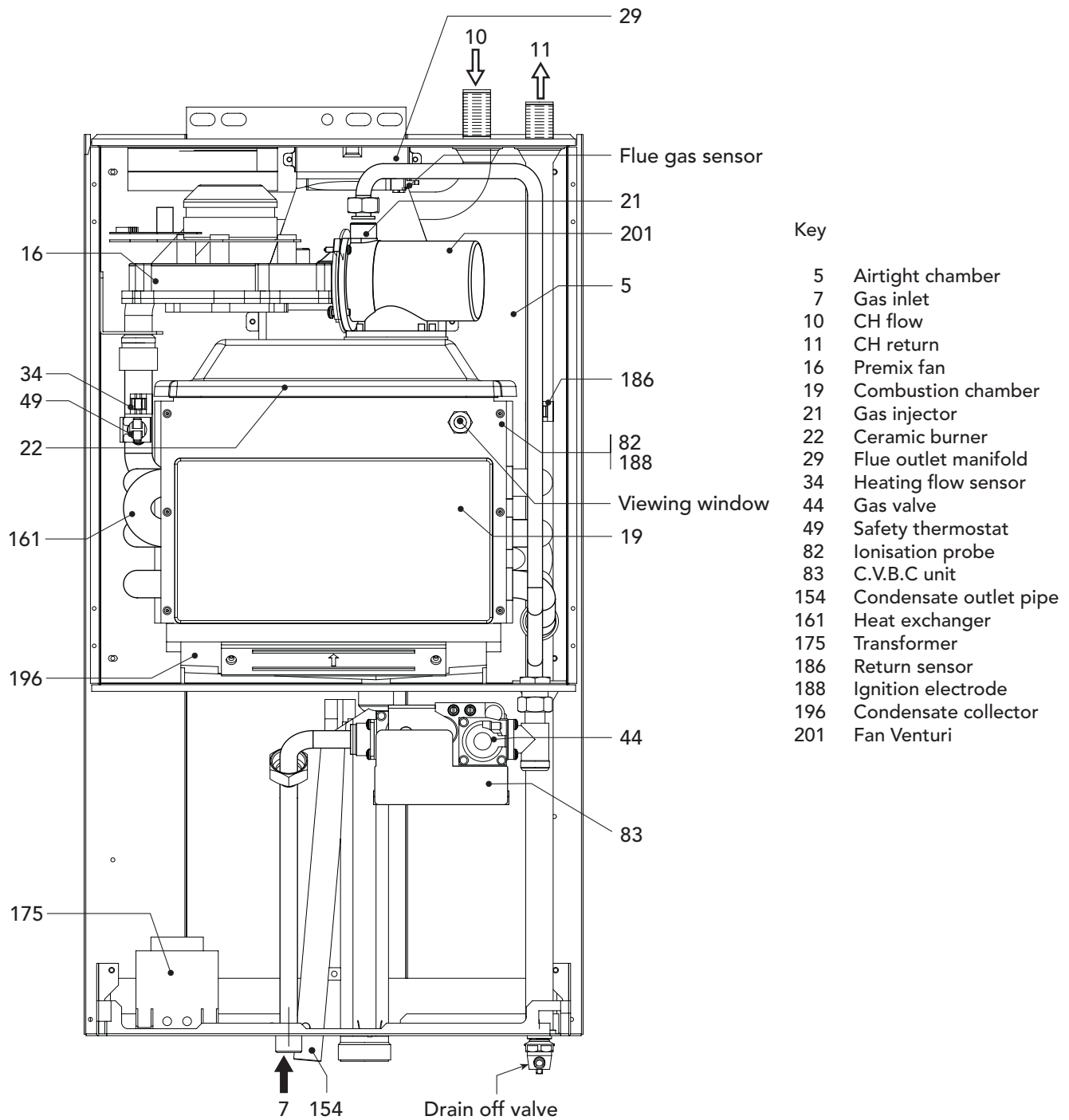


fig. 20

4.3 Hydraulic diagram

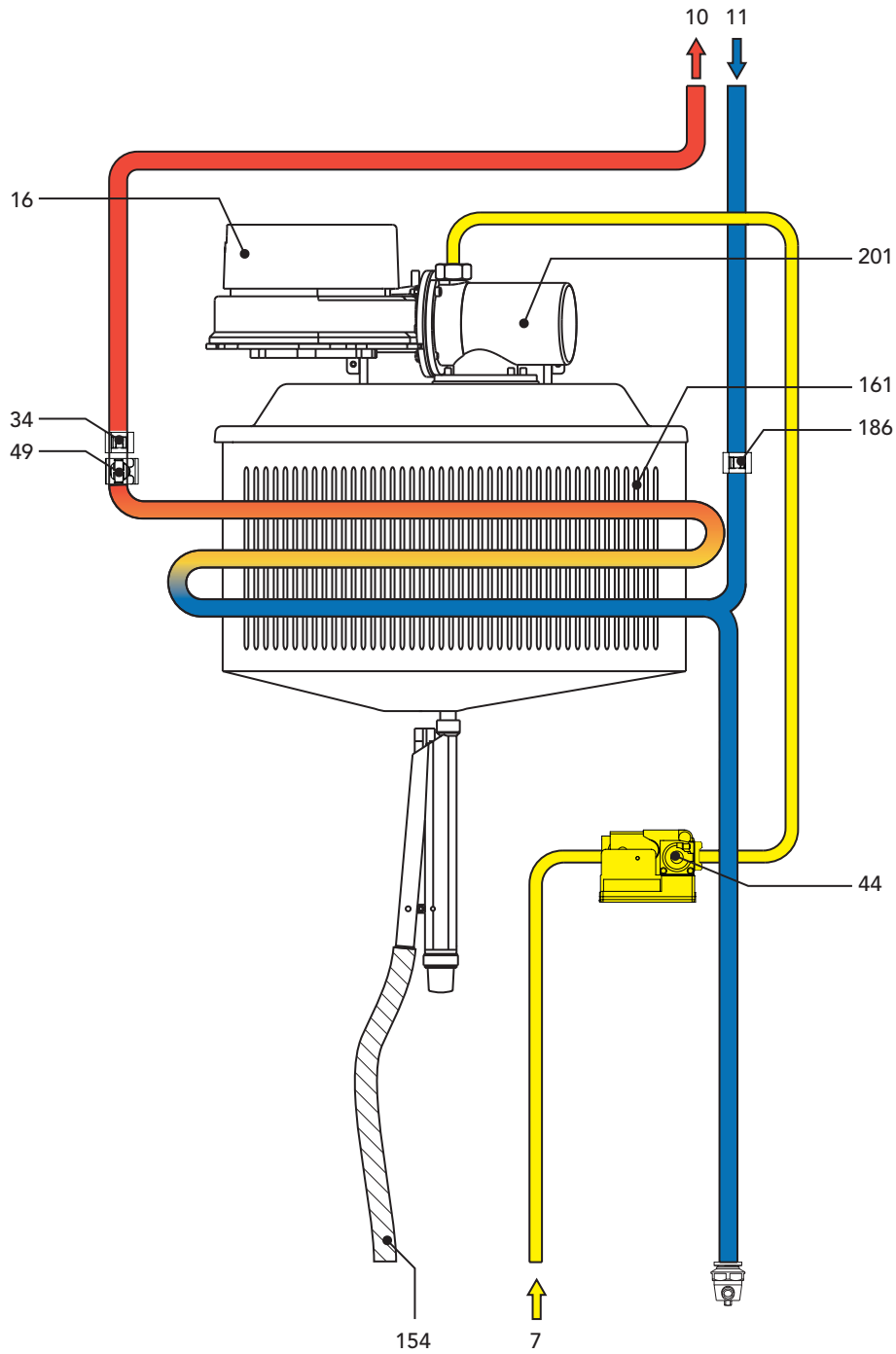


fig. 21

Key

- |    |                         |     |                        |
|----|-------------------------|-----|------------------------|
| 7  | Gas inlet               | 49  | Safety thermostat      |
| 10 | CH flow                 | 154 | Condensate outlet pipe |
| 11 | CH return               | 161 | Heat exchanger         |
| 16 | Premix fan assembly     | 186 | Return sensor          |
| 34 | Flow temperature sensor | 201 | Fan Venturi            |
| 44 | Gas valve               |     |                        |



## 4.4 Technical data table

Table 7

<b>Powers</b>		<b>Pmax</b>	<b>Pmin</b>
Hi Heating power	kW	25,2	7,5
Useful Heating Power 80° C - 60° C	kW	24,7	7,3
Useful Heating Power 50° C - 30° C	kW	26,4	8,0
Natural Gas delivery (G20)	m <sup>3</sup> /h	2,67	0,79
Natural Gas supply pressure (G20)	mbar	20	20
LPG flow rate (G31)	kg/h	1,96	0,58
LPG supply pressure (G31)	mbar	37	37
<b>Combustion</b>		<b>Pmax</b>	<b>Pmin</b>
CO2 (G20 - Natural Gas)	%	9,0	8,7
Gas nozzle (G20 - Natural Gas)	Ø mm	5,4	
CO2 (G31 - Propane)	%	10	9,5
Gas nozzle (G31 - Propane)	Ø mm	4,0	
Flue temperature 80° C-60° C	°C	65	60
Flue temperature 50° C-30° C	°C	46	31
Flue flow rate	kg/h	43	13
Quantity of condensate	kg/h	3,3	1,4
pH of condensation water	pH	4,1	
Energy marking (92/42 EEC directive)		★★★★	
NOx emission class		5	
<b>Heating</b>			
Heating temperature adjustment range	°C	30 - 90	
Maximum working pressure in heating	bar	3	
Minimum working pressure in heating	bar	0.8	
Expansion vessel capacity	litres	8	
Expansion vessel pre-filling pressure	bar	1	
Total boiler water content	litres	1,7	
<b>Dimensions, weights connections</b>			
Height	mm	720	
Width	mm	400	
Depth	mm	358	
Weight empty	kg	34	
Gas system connection	Ø mm	22	
Heating system connections	Ø mm	22	
Maximum length of separate flues D=80*	m <sub>eq</sub>	75	
<small>(*Measurement given in equivalent linear metres – cfr FERROLI calculation system)</small>			
<b>Electrical power supply</b>			
Max electrical power absorbed	W	50	



4.5 Wiring diagram

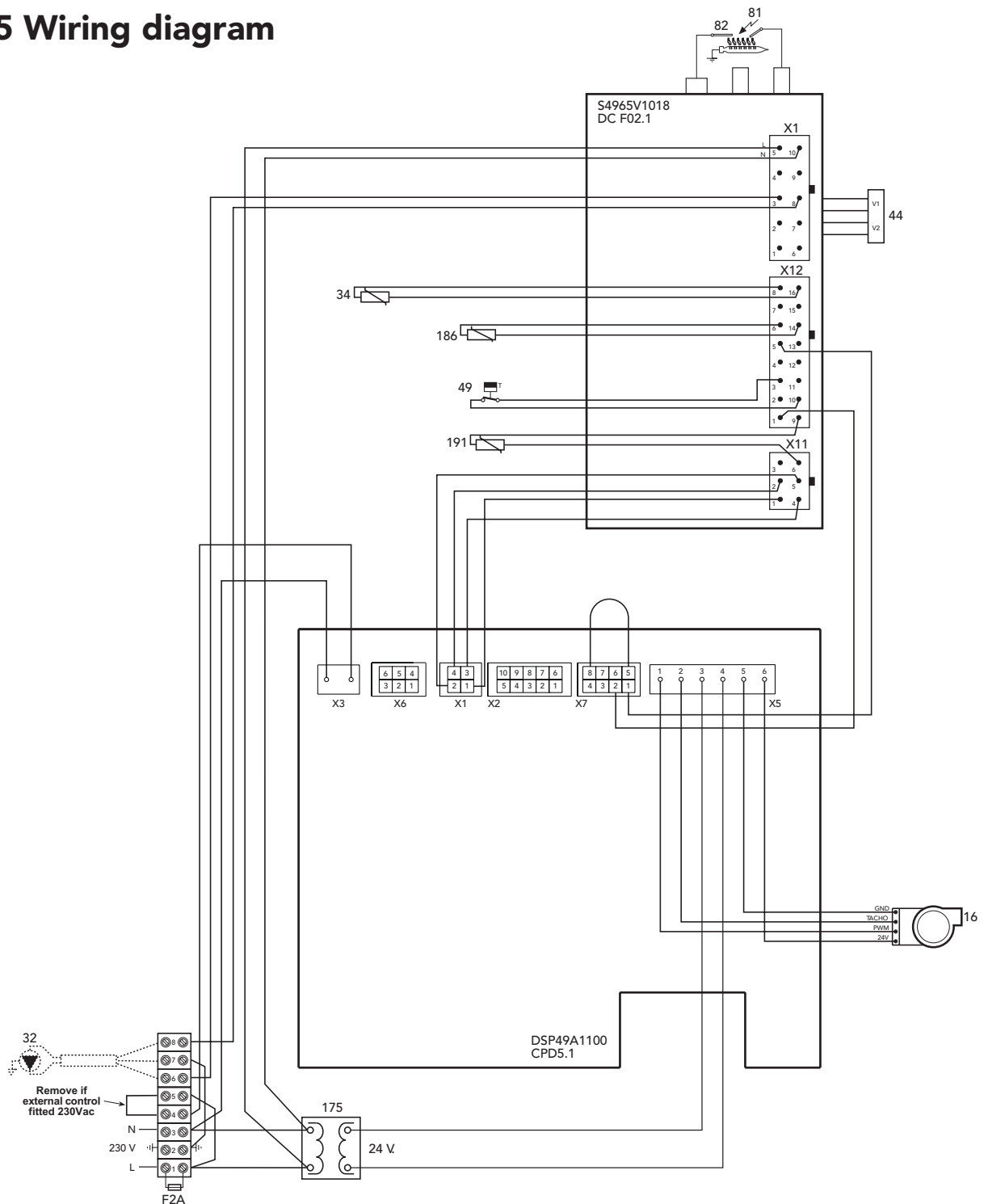


fig. 22

Key

- 16 Fan
- 32 Central heating pump (not supplied)
- 34 C.h. flow temperature sensor
- 44 Combination gas valve
- 49 Overheat cut-off thermostat
- 81 Spark electrode
- 82 Ionisation probe
- 175 Transformer
- 186 Return sensor
- 191 Flue temperature sensor





**Should you require help during installation  
call our Technical Helpline on  
08707 282 885 option 1  
To book a Ferroli service engineer  
call Ferroli caresafe on  
08707 282 885 option 2**

**Phone numbers:**

**Installer** \_\_\_\_\_

**Service Engineer** \_\_\_\_\_

**BECAUSE OF OUR CONSTANT ENDEAVOUR FOR IMPROVEMENT DETAILS  
MAY VARY SLIGHTLY FROM THOSE QUOTED IN THESE INSTRUCTIONS.**

---

**ALL SPECIFICATIONS SUBJECT TO CHANGE**

**Please note** - to avoid incurring unnecessary expense, in the event of a boiler shut down, check this is not caused by lack of electricity supply, gas supply or low water pressure before calling our Customer Service Helpline.

**Lichfield Road, Branston Industrial Estate, Burton Upon Trent, Staffordshire DE14 3HD  
Tel. 08707 282 885 - Fax 08707 282 886**