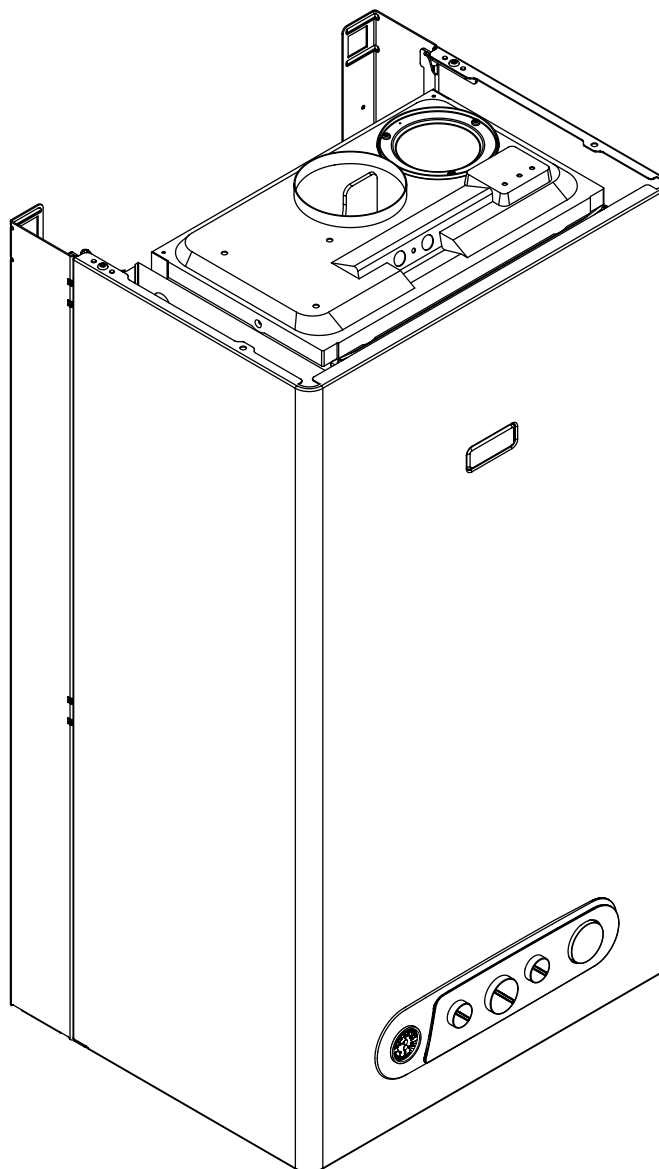
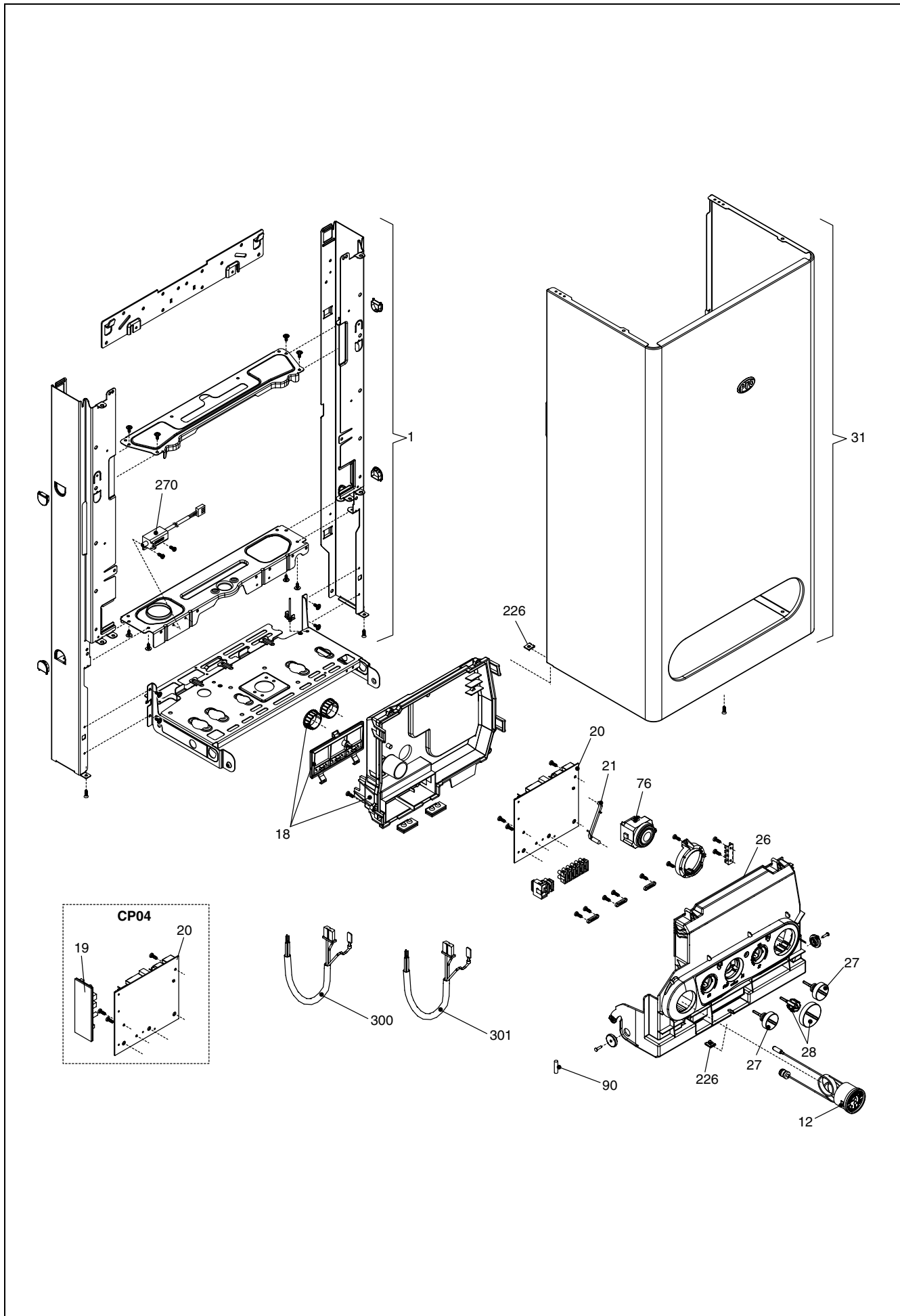


**Wall hung boilers**

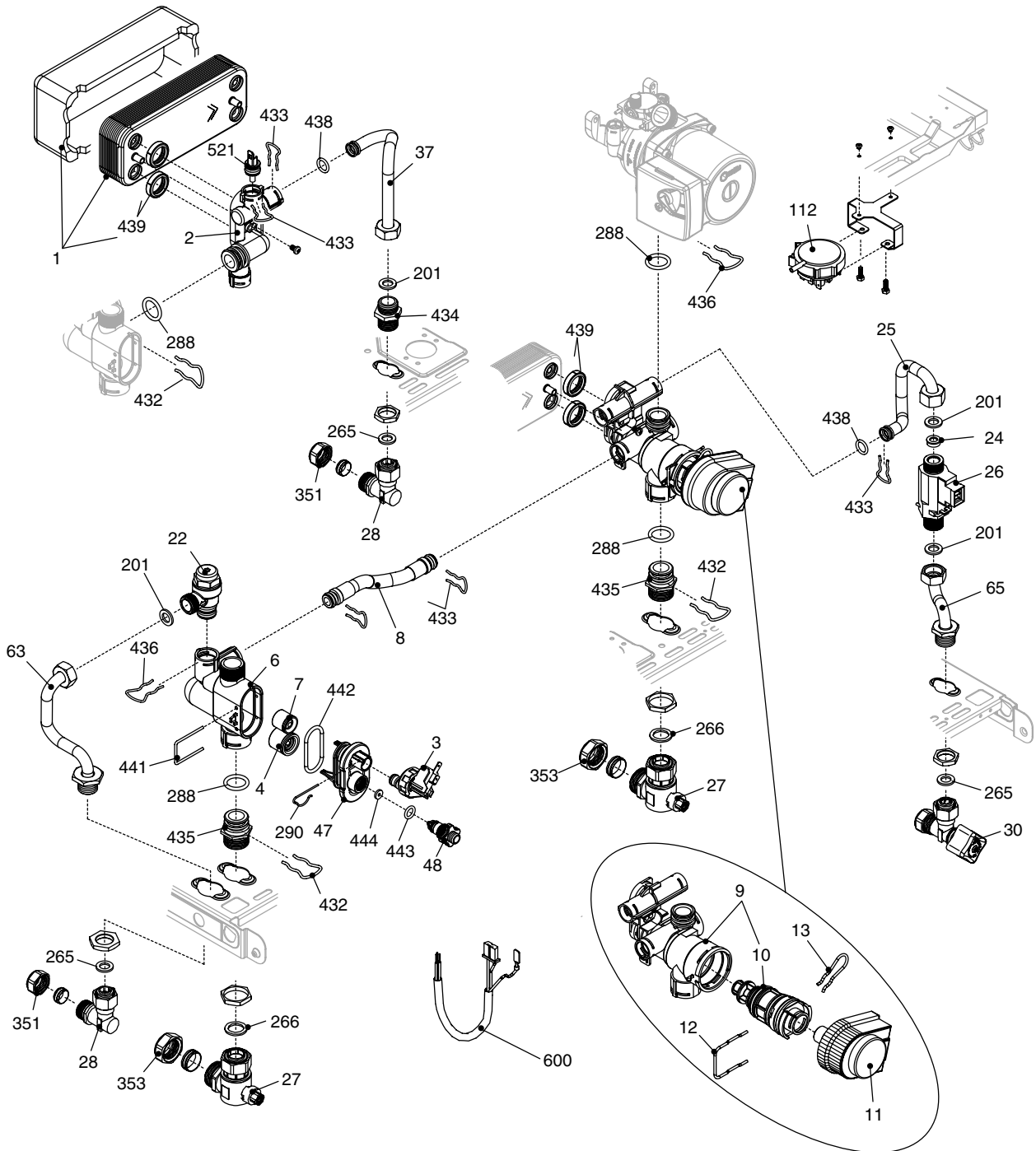
# Procombi



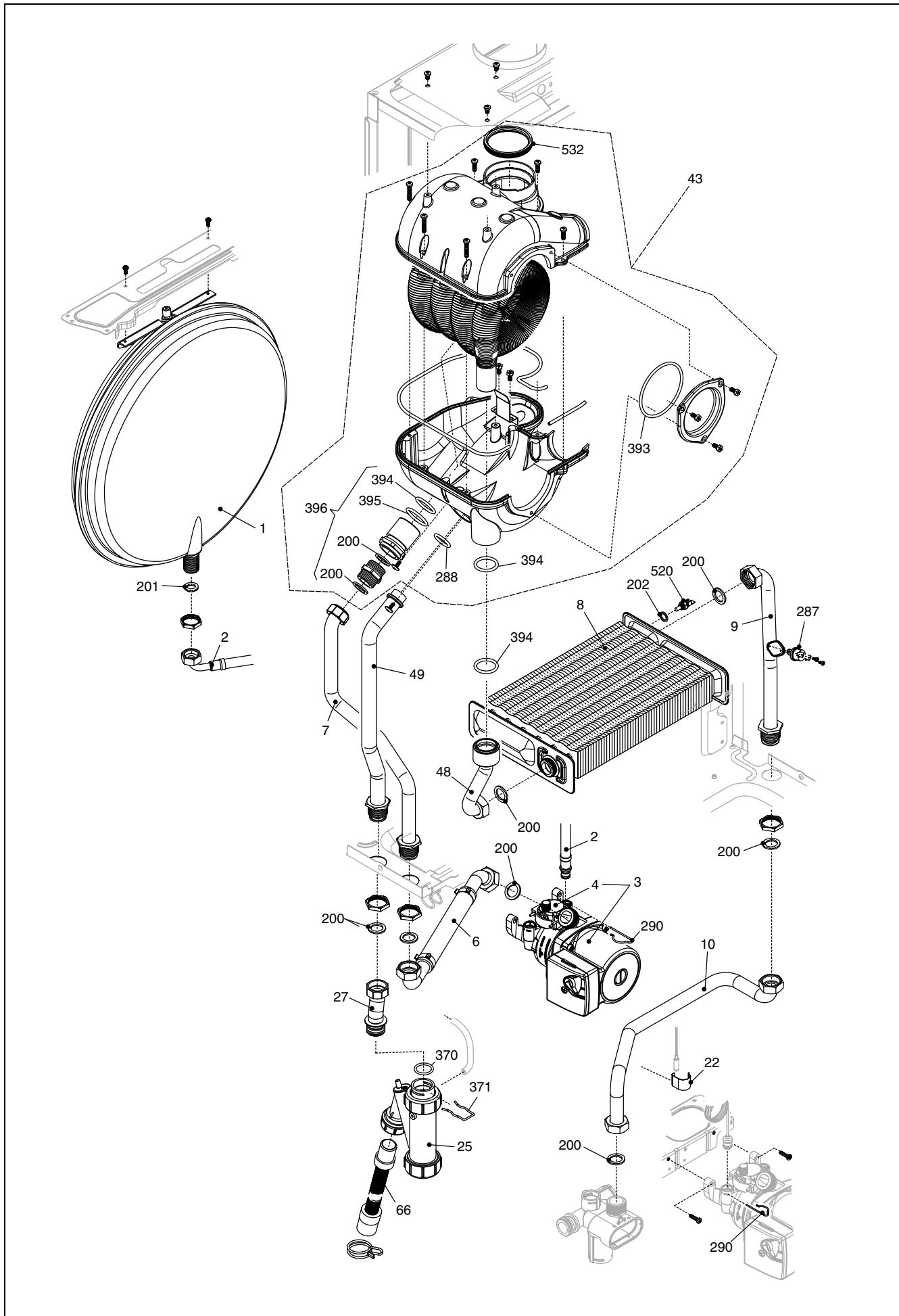
MODEL	PART NUMBER	
	MTN	GPL
Procombi 85 HE	1370003 (902)	-
Procombi 100 HE	1370013 (903)	-
Procombi 120 HE	1370043 (906)	-



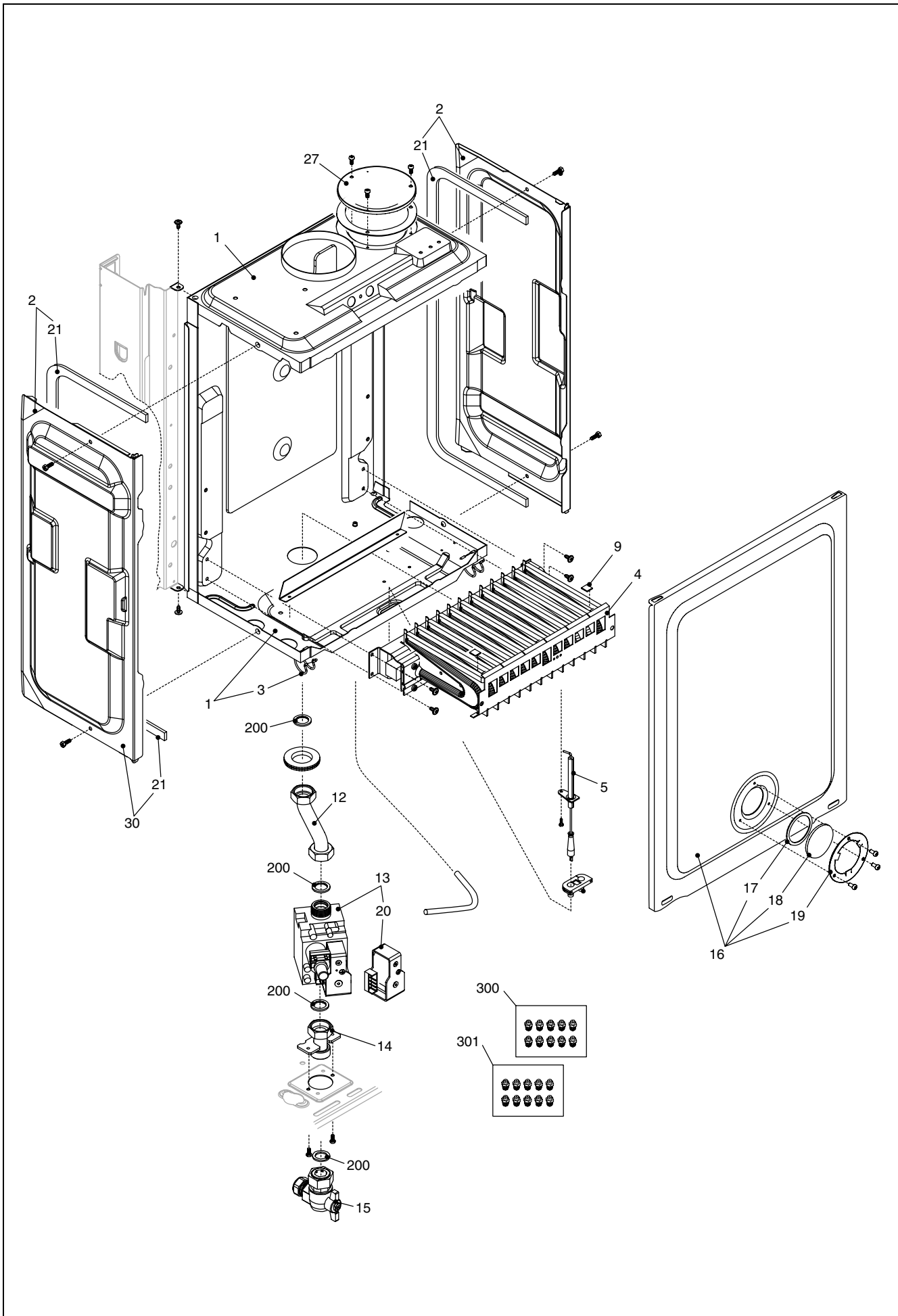
POS.	DESCRIPTION	85	100	120
1	Frame assembly	R01005415	R01005416	R01005417
12	Thermo-pressure gauge	R10026050	R10026050	R10026050
18	Cover assembly	R10027599	R10027599	R10027599
19	Flame control ignition module	R10028890	R10028890	R10028890
20	Printed circuit board CP04N	R10025340	R10025340	R10025340
20	Printed circuit board CPBTR04	R10030505	R10030505	R10030505
21	Led light guide	R10023816	R10023816	R10023816
26	Instrumental panel	20001103	20001103	20001103
27	Knob	R10028476	R10028476	R10028476
28	Knob	R10028475	R10028475	R10028475
31	Case	R10026164	R10026179	R10028025
76	Timer	R10028496	R10028496	R10028496
90	Fuse	R3478	R3478	R3478
226	Clip	R5128	R5128	R5128
270	Ignition transformer TR2	R10021272	R10021272	R10021272
300	Wiring harness	R10023840	R10023840	R10023840
301	Clock wires	R10023940	R10023940	R10023940



POS.	DESCRIPTION	85	100	120
1	Exchanger	R8036	R8037	R10024627
2	Connection	R10030114	R10030114	R10030114
3	Pressure water switch	R2044	R2044	R10028141
4	Non return valve	R10025056	R10025056	R10025056
6	By-pass casing	R10024642	R10024642	R10024642
7	Heating by-pass valve	R2047	R2047	R1552
8	Pipe	R10026193	R10026193	R10026193
9	Heating manifold	R10026506	R10026506	R10026506
10	3 way valve cartridge	R10025305	R10025305	R10025305
11	Actuator	R10025304	R10025304	R10025304
12	Clip	R10025450	R10025450	R10025450
13	Clip	R10025449	R10025449	R10025449
22	Safety valve	R10025055	R10025055	R10025055
24	Flow governor	R10026043	R10024987	R10025080
24	Flow governor	R10026044	R10026044	R10020041
24	Flow governor	R10024987	R10026045	R10026041
25	Pipe	R10026423	R10026423	R10026423
26	Dhw actuator	R10022348	R10022348	R10022348
27	Heating cock	R1789	R1789	R1789
28	Connection	R1790	R1790	R1790
30	Water supply stop cock	R10025733	R10025733	R10025733
37	Pipe	R10026424	R10026424	R10026988
47	Cover for by-pass assembly	R10024643	R10024643	R10024643
48	Cock	R10024646	R10024646	R10024646
63	Pipe	R10028492	R10028492	R10028492
65	Pipe	R10026422	R10026422	R10026422
112	Pressure differential switch	R10027535	R10027535	R10027535
201	Washer	R5026	R5026	R5026
265	Washer	R5236	R5236	R5236
266	Washer	R5237	R5237	R5237
288	Ring	R6898	R6898	R6898
290	Clip	R2165	R2165	R2165
351	Nut	R1823	R1823	R1823
353	Nut	R1824	R1824	R1824
432	Clip	R10024958	R10024958	R10024958
433	Clip	R10024986	R10024986	R10024986
434	Nipple	R10024985	R10024985	R10024985
435	Fitting/union	R10025059	R10025059	R10025059
436	Clip	R10025062	R10025062	R10025062
438	O ring	R10024988	R10024988	R10024988
439	Washer	R10025067	R10025067	R10025067
441	Clip	R10025063	R10025063	R10025063
442	O ring	R10025065	R10025065	R10025065
443	O ring	R10025064	R10025064	R10025064
444	Washer	R10025066	R10025066	R10025066
521	NTC sensor	R10027351	R10027351	R10027351
600	Hydraulic control cable	R10028531	R10028531	R10028531

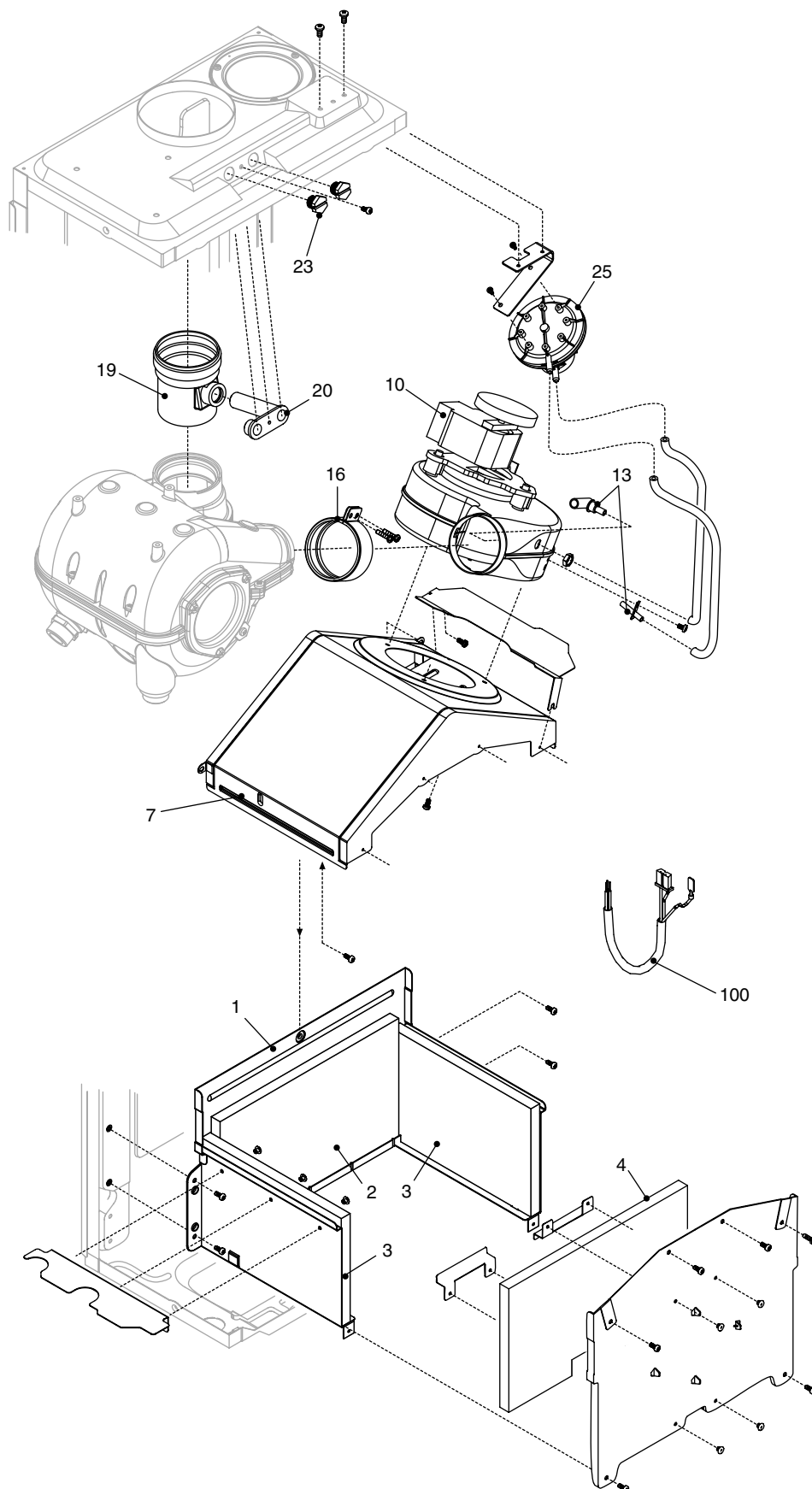


POS.	DESCRIPTION	85	100	120
1	Expansion vessel	R2204	R2573	R2573
2	Pipe	R10025188	R10025188	R10025188
3	Pump	R10027571	R10027571	R10027258
4	Air vent bottle	R10025485	R10025485	R10025485
6	Pipe	R10027975	R10027990	R10028155
7	Pipe	R10024312	R10024312	R10024519
8	Exchanger	R2381	R2378	R10020513
9	Pipe	R10021041	R10021041	R10020519
10	Pipe	R10028494	R10028506	R10030471
22	Clip	R3412	R3412	R3412
25	Siphon	R10027546	R10027546	R10027546
27	Pipe	R10028495	R10028495	R10027977
43	Condensing unit assembly	R01005411	R01005411	R01005411
48	Pipe	R10024311	R10024129	R10024518
49	Pipe	R10024313	R10024131	R10024520
66	Flexible pipe	R10027545	R10027545	R10027545
200	Washer	R5023	R5023	R5023
201	Washer	R5026	R5026	R5026
202	Washer	R5041	R5041	R5041
287	High limit thermostat	R2258	R2258	-
288	Ring	R6898	R6898	R6898
290	Clip	R2165	R2165	R2165
370	O ring	R10023533	R10023533	R10023533
371	Clip	R10023532	R10023532	R10023532
393	O ring	R10024141	R10024141	R10024141
394	O ring	R10024142	R10024142	R10024142
395	O ring	R10024143	R10024143	R10024143
396	Connections kit	R01005292	R01005292	R01005292
417	High limit thermostat	-	-	R10024710
520	NTC sensor	20004832	20004832	20004832
532	Washer	R10027540	R10027540	R10027540





POS.	DESCRIPTION	85	100	120
1	Roomsealed chamber	R10027533	R10027562	R10028011
2	Roomsealed chamber side	R10024166	R10024166	R2059
3	Clip	R0442	R0442	R0442
4	N.G. burner	R10027536	R10027564	R10028013
5	Spark / ignition electrode	R10025985	R10025985	R10025985
9	Plate	R5172	R5172	-
12	Pipe	R10028493	R10028493	R10030470
13	Gas valve	R10025074	R10025074	R10025074
14	Pipe	R10026703	R10029753	R10026703
15	3/4" gas cock	R10020897	R10020897	R10020897
16	Cover assembly	R10020216	R10020217	R10020430
17	Washer	R5072	R5072	R5072
18	Pilot sight glass	R3139	R3139	R3139
19	Ring	R4007	R4007	R4007
20	Gas valve solenoid	R10020838	R10020838	R10020838
21	Washer	R5905	R5905	R5905
27	Plug	R8084	R8084	R8084
30	Roomsealed chamber side	-	-	R2060
200	Washer	R5023	R5023	R5023
300	Ng conversion kit	R01005225	R01005225	R01005225
301	LPG conversion kit	R01005407	R01005407	R01005407



POS.	DESCRIPTION	85	100	120
1	Combustion chamber assembly	R10025935	R10026406	R10020514
2	Back insulatin panel	R5270	R5316	R10020518
3	Protection	R5271	R5271	R5271
4	Combustion chamber insulation panel	R5269	R5315	R10020517
7	Flue draught diverter	R10024310	R10024125	R10024473
10	Fan	R10024035	R10024035	R10024035
13	Venturi and pressure tube kit	R01005405	R01005405	R01005405
16	Clamp	R10024126	R10024126	R10024126
19	Pipe	R10024137	R10024137	R10024137
20	Block with combustion analysis check point	R10026933	R10026933	R10026933
23	Plug	R8086	R8086	R8086
25	Pressure differential switch	R10020889	R10020889	R10020889
100	Combustion cable	R10027559	R10027559	R10027913

<b>Rev.</b>	<b>data</b>	<b>Descrizione</b>
1.0	22/04/07	Modifiche varie e inserito modello 1370043
2.0	05/11/07	Modifiche varie
3.0	22/05/08	E00120080200 : scheda CPBTR04
4.0	05/03/2010	E00120070101 : cruscotto – E00120080360 : coibente E00120190019 : molletta – E00120100086 : rampa

