

delta

performance

delta performance
ventouse FV

EN *INSTALLATION OPERATING AND
SERVICING INSTRUCTIONS*

FR *NOTICE D'INSTALLATION,
D'UTILISATION ET D'ENTRETIEN*

NL *GEBRUIKSHANDLEIDING EN
INSTALLATIEVOORSCHRIFT*



excellence in hot water

EN **INSTALLATION OPERATING AND SERVICING INSTRUCTIONS** **1**

delta FV 35 : With ACV BMV1 oil burner

delta FV 50 : With ACV BMV2 oil burner

FR **NOTICE D'INSTALLATION, D'UTILISATION ET D'ENTRETIEN** **13**

delta FV 35 : Avec brûleur fioul ACV BMV1

delta FV 50 : Avec brûleur fioul ACV BMV2

NL **GEBRUIKSHANDLEIDING EN INSTALATIEVOORSCHRIFT** **25**

delta FV 35 : Met fuel brander ACV BMV1

delta FV 50 : Met fuel brander ACV BMV2

ES **NOTICIAS DE INSTALACIÓN, UTILIZACIÓN Y MANTENIMIENTO** **37**

delta FV 35 : Con quemador de gasoil ACV BMV1

delta FV 50 : Con quemador de gasoil ACV BMV2

IT **ISTRUZIONI DELL' INSTALLAZIONE, DELL' USO E DI MANUTENZIONE** **49**

delta FV 35 : Con bruciatore a gasolio ACV BMV1

delta FV 50 : Con bruciatore a gasolio ACV BMV2

DE **ANLEITUNG ZUR INSTALLATION, GEBRAUCH UND WARTUNG** **61**

delta FV 35 : Mit Ölbrenner ACV BMV1

delta FV 50 : Mit Ölbrenner ACV BMV2



EN ISO 9002 : 1994 Certification

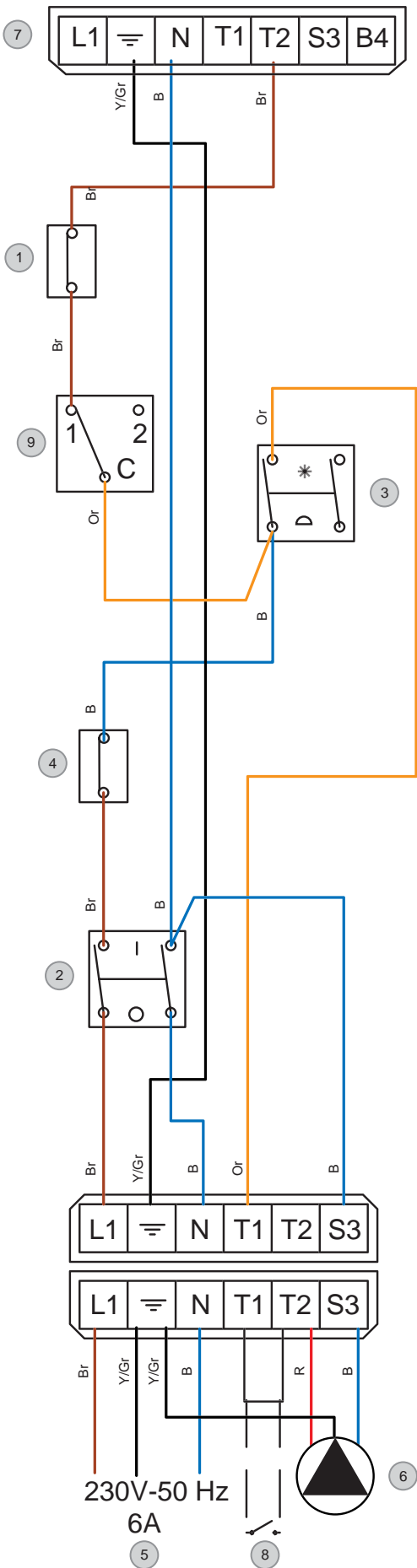


Safety Quality License for boiler and pressure vessel

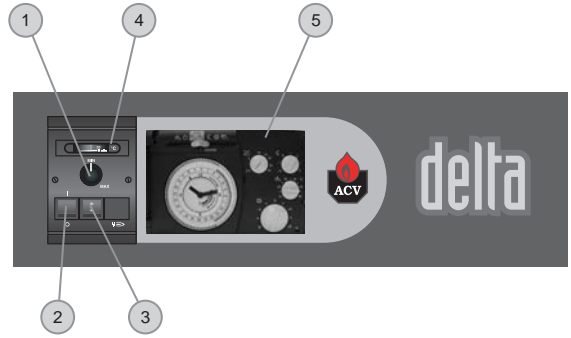


Watermark Licence - AS 3498

A



B



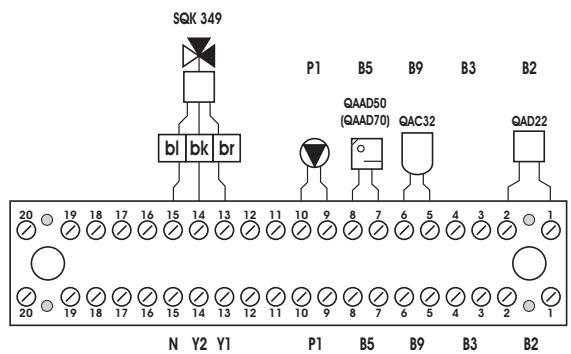
C

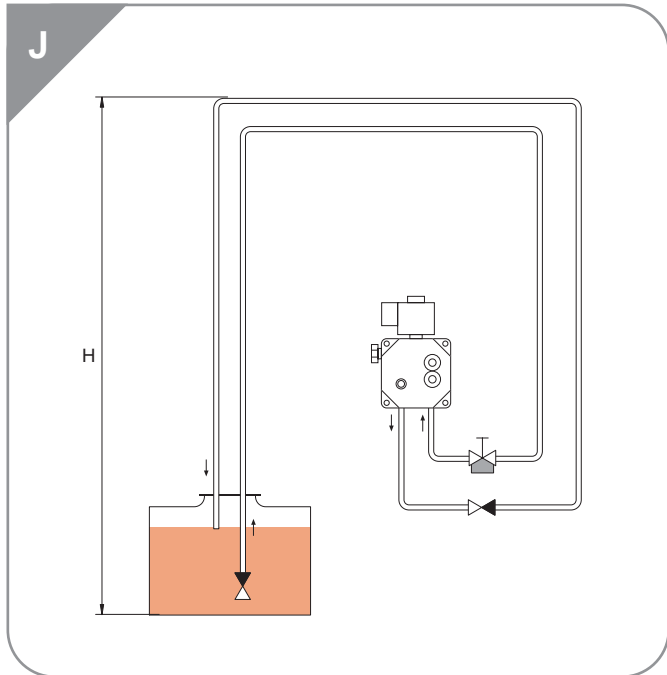
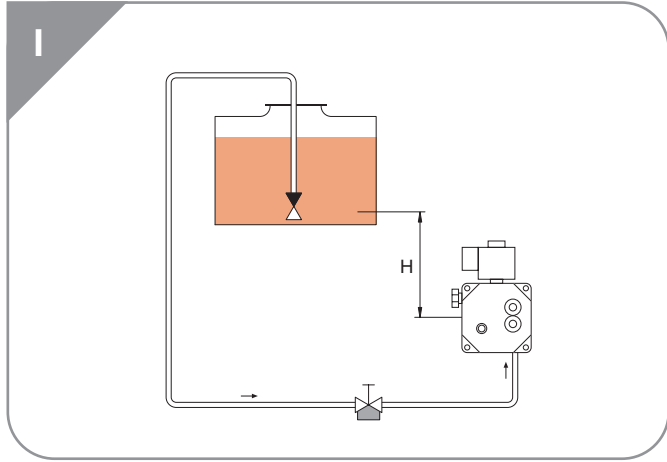
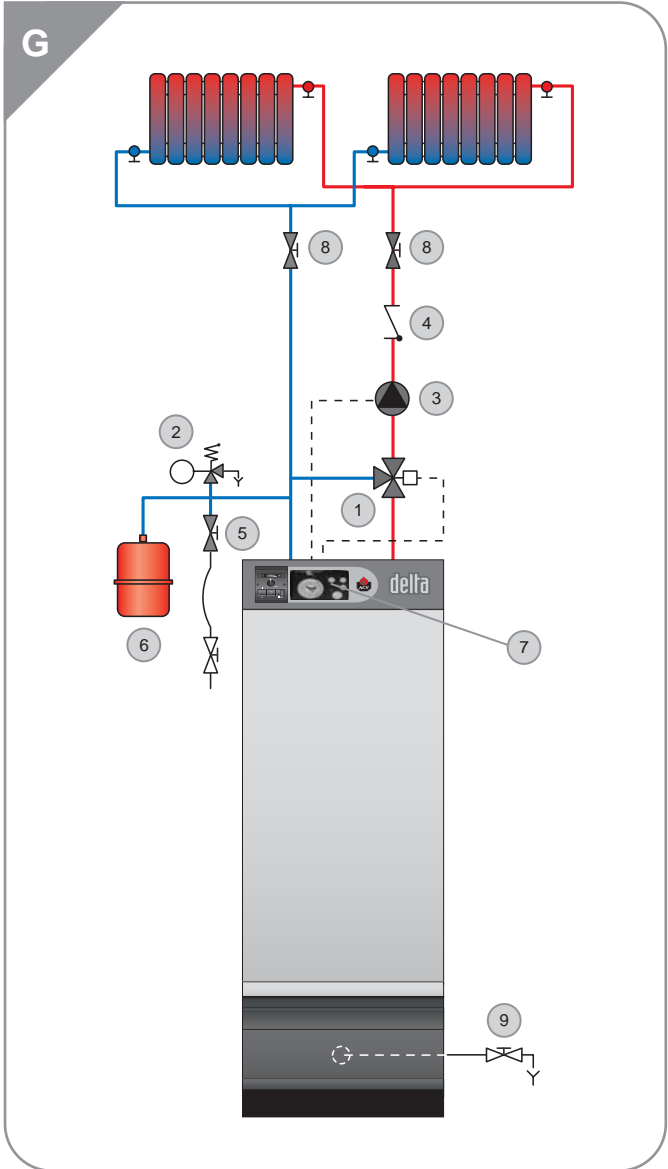
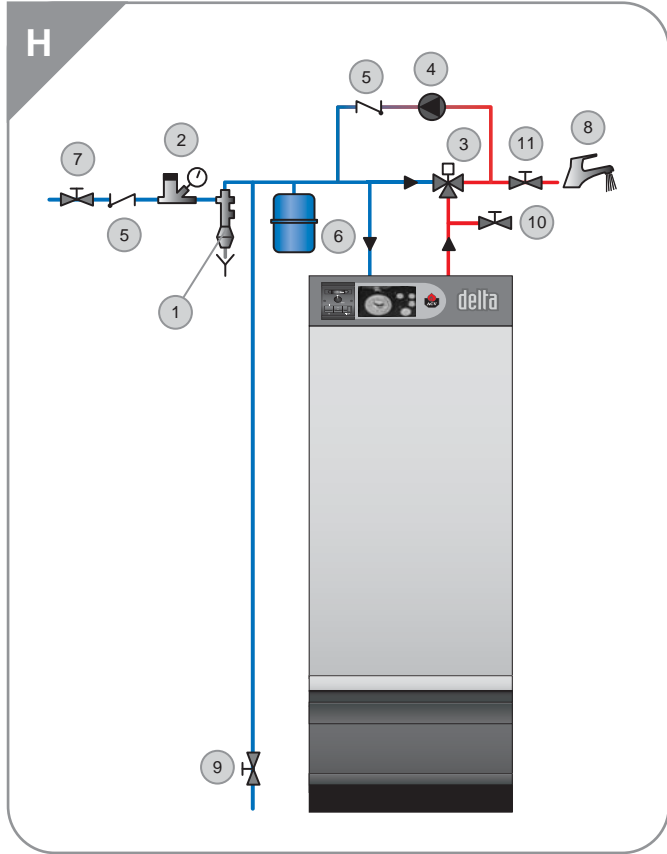


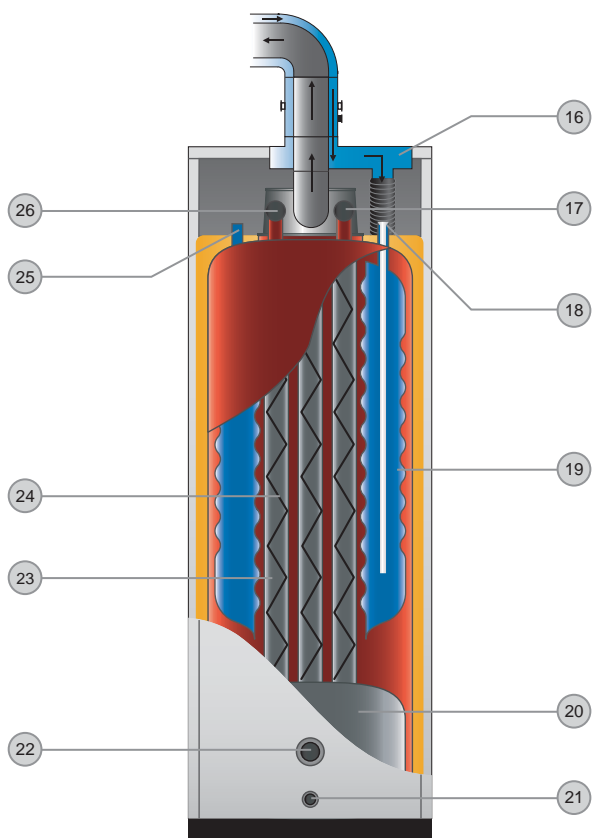
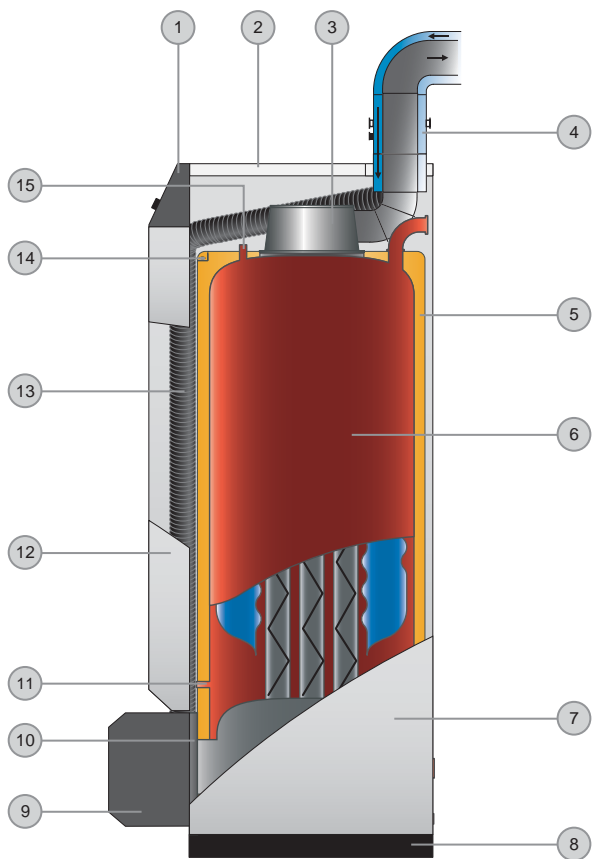
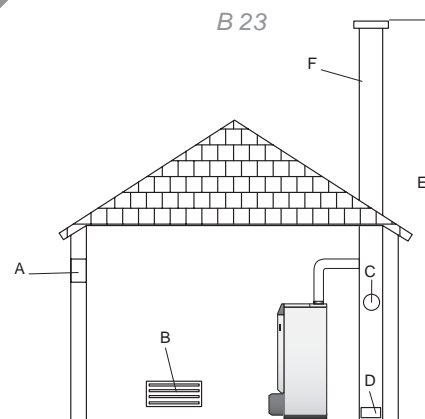
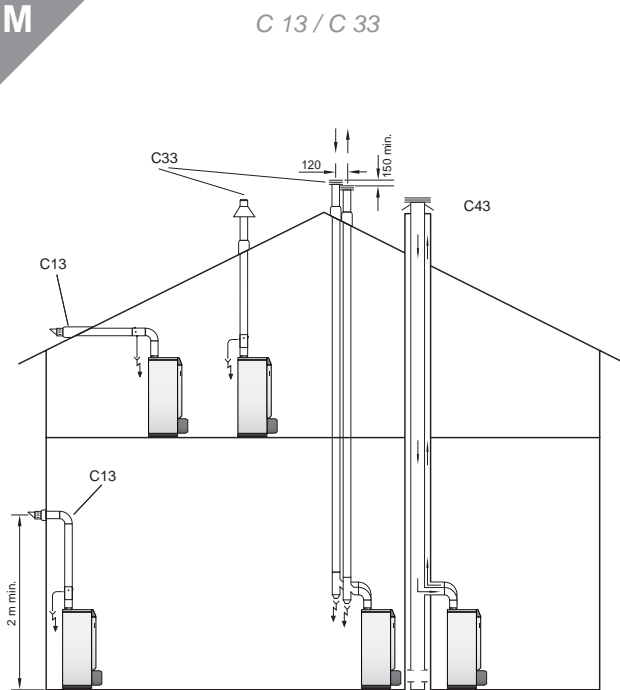
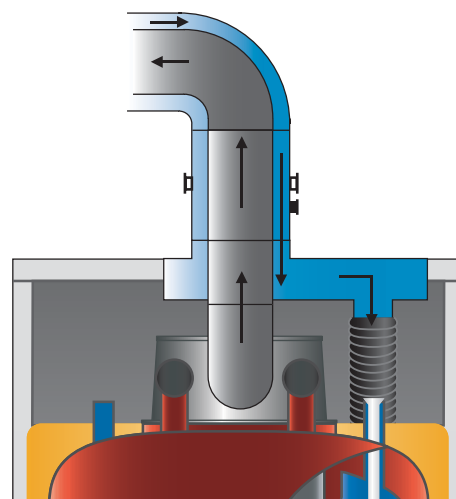
D

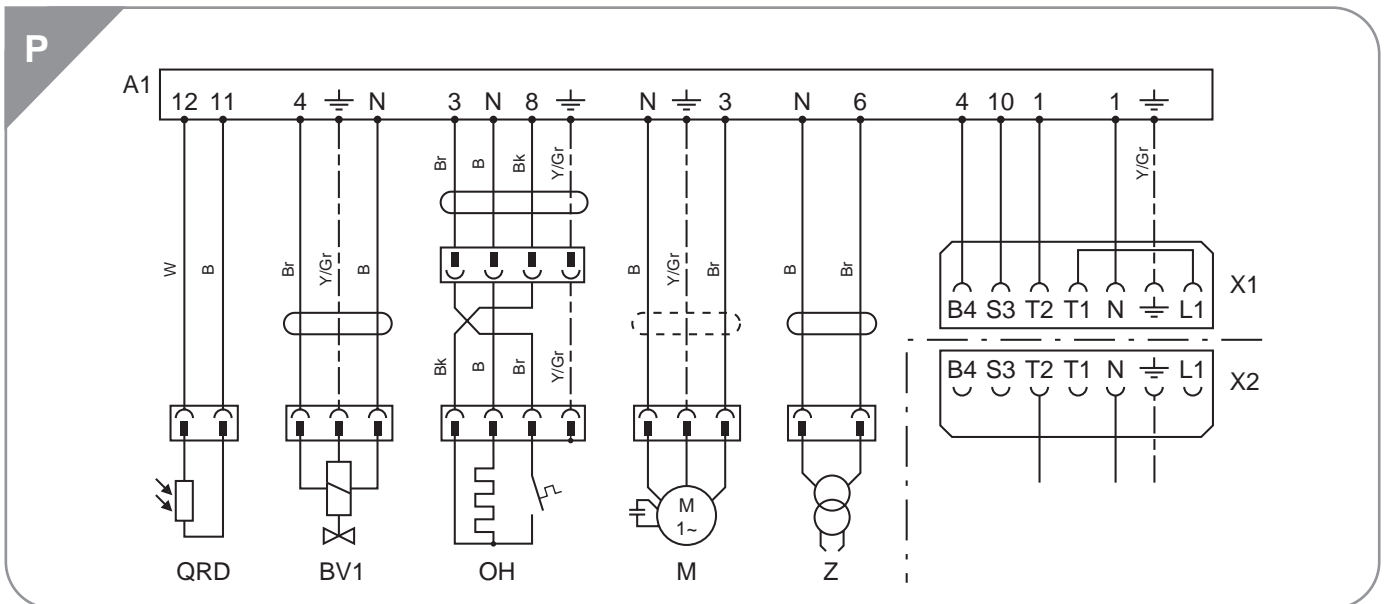
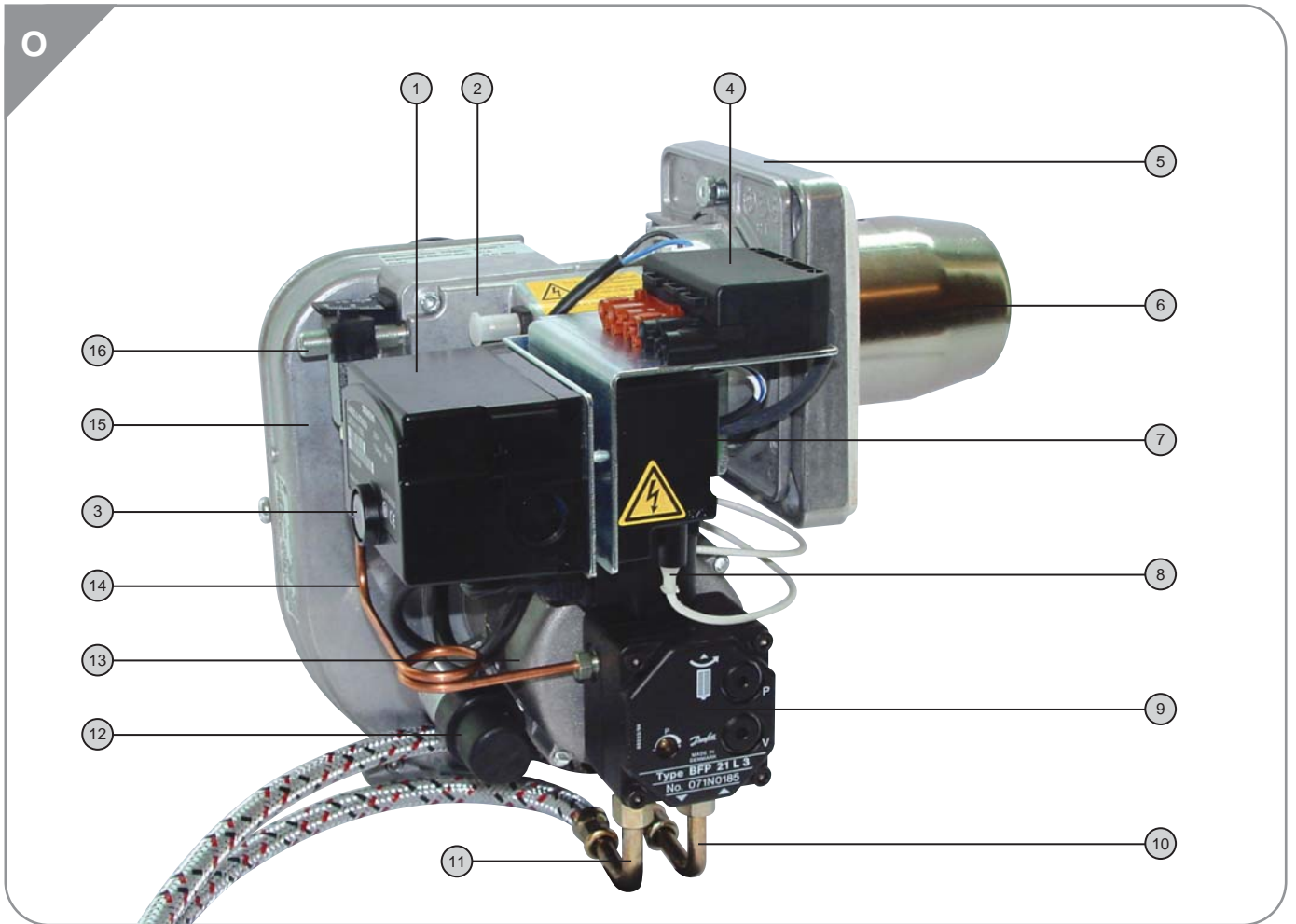


E





K**L****M****N**



INSTALLATION, OPERATING AND SERVICING INSTRUCTIONS

delta performance
balanced flue

**FV 35
with ACV
BMV(K)1
oil burner**

**FV 50
with ACV
BMV(K)2
oil burner**



INTRODUCTION	2
Intended users of these instructions	2
Symbols	2
Applicable standards	2
Warnings	2
DESCRIPTION	3
Overview	3
Description of operation	3
Construction features	3
Boiler captions	3
TECHNICAL SPECIFICATION	4
General	4
Maximum operating conditions	4
Dimensions	4
Domestic hot water performance	5
General features	5
INSTALLATION	6
Boiler room	6
Chimney connections	6
Heating connections	7
Hot water connections	7
Controller kits	7
Electrical connection	8
Oil supply	8
BURNER FEATURES	9
ACV BMV1 and BMV2 oil burners	9
ACV BMV1 and BMV2 burner factory settings	9
ACV BMV1 and BMV2 burner captions	9
STARTUP	10
Filling the hot water and heating circuits	10
Commissioning ACV BMV1 and BMV2 burners	10
SERVICING	10
Recommendation	10
Servicing the boiler	10
Servicing the safety devices	10
Servicing the burner	10
Emptying the boiler	10
USER GUIDE	11
Using the boiler	11
Resetting ACV BMV1 and BMV2 burners	12

INTENDED USERS OF THESE INSTRUCTIONS

These instructions are intended for:


- specifying engineers
- installing engineers
- users
- servicing technicians


SYMBOLS

The following symbols are used in these instructions:

 **Essential instruction for operating the system correctly.**

 **Essential instruction for personal safety and environmental protection.**

 **Danger of electrocution.**

 **Risk of burns.**

APPLICABLE STANDARDS

The products have received the "EC" certificate of compliance with standards of individual countries (European Directive 92/42/EEC, "efficiency"). These products also have the Belgian OPTIMAZ mark.




WARNINGS

These instructions are an integral part of the equipment to which they refer and must be supplied to the user.

The product must be installed and serviced by qualified heating engineers, in compliance with the prevailing standards.

ACV accepts no liability for any damage resulting from incorrect installation or from the use of components or fittings not specified by ACV.

 **Failure to observe instructions regarding tests and test procedures can result in personal injury or pollution risks.**

Note:
ACV reserves the right to modify the technical specifications and components of its products without prior notice.

OVERVIEW

- Combination boiler (*central heating and domestic hot water*).
- TANK-IN-TANK indirect storage type domestic hot water production.
- Equipment required: a hydraulic connection kit for the heating circuit (available as an option).
- The control panel comprises an on/off switch, adjustable thermostat, thermometer, Summer/Winter selector and knockout for fitting the ACV integrated control system (*optional*).
- The Delta Performance FV can be connected as a balanced flue system with a type C concentric adapter..., or with a type B23 adapter directly to the chimney.
- The Delta Performance FV 35 with a fixed output of 35 is fitted with the ACV BMV1 oil burner.
- The Delta Performance FV 50 with a fixed output of 50 is fitted with the ACV BMV2 oil burner.

DESCRIPTION OF OPERATION

The "Tank-in-Tank" concept

The Delta Performance balanced flue series differs from traditional hot water generators because of its ring-shaped tank immersed in the primary fluid contained in the outer body. When there is a demand for heat from the central heating system or the domestic hot water system, the potentiometer starts the burner. The combustion gases quickly heat up the primary fluid, creating a natural circulation around the tank.

Domestic hot water heated indirectly

This circulation facilitates heat exchange between the primary fluid and the domestic water, which takes place all over the tank surface. The corrugations on the inner and outer shells of the ring-shaped tank further boost the area of heat exchange and speed up the heating process of the domestic water.

Easy setting with safety assured

With a single command, the water temperature of both the primary circuit and the hot water circuit is set by the adjustable thermostat situated under the tank in the primary circuit.

A cut-off thermostat, placed on top of the boiler, automatically cuts out the burner when the water temperature in the primary circuit reaches 95 °C. A manually reset safety thermostat shuts off the burner if the temperature reaches 103 °C.

CONSTRUCTION FEATURES

Corps externe

The outer body containing the primary fluid is made of thick STW 22 steel.

"Tank-in-Tank" type exchanger accumulator

The ring-shaped inner tank with its large heating surface for producing domestic hot water is built of Chrome/Nickel 18/10 stainless steel. It is corrugated over its full height by an exclusive production process and entirely argon arc welded by the TIG (Tungsten Inert Gas) method.

Combustion gas circuit

The combustion gas circuit is protected by a high temperature resistant paint. It is composed of:

- Flue pipes. Delta Performance balanced flue models have 8 steel flue pipes with an internal diameter of 64 mm. Each pipe is fitted with a special steel baffle designed to improve heat exchange and reduce flue gas temperature.
- Combustion chamber. The sealed combustion chamber is water cooled.

Insulation

The boiler body is fully insulated by rigid polyurethane foam with a high thermal insulation coefficient, sprayed on without the use of CFCs.

Jacket

The boiler is covered by a steel jacket which has been scoured and phosphated before being stove enamelled at 220 °C.

BOILER CAPTIONS (*see illustration K*)

1. Control panel
2. Removable jacket top
3. Flue reduction collar
4. Measuring unit
5. CFC-free polyurethane foam insulation
6. Inner ring-shaped domestic hot water tank
7. Side panel
8. Base
9. Burner and burner chamber plate cover
10. Burner chamber plate
11. Control thermostat bulb
12. Removable front panel
13. Tube supplying air to venturi
14. Manual reset safety thermostat - 103 °C
15. Cut-off thermostat bulb - 95 °C
16. Balanced flue connection unit
17. Heating return
18. Domestic cold water inlet
19. Inner ring-shaped domestic hot water tank
20. Combustion chamber
21. Boiler drain
22. Lower heating return
23. Flue pipes
24. Turbulators
25. Domestic hot water outlet
26. Central heating flow pipe

TECHNICAL SPECIFICATION

GENERALE

The units are delivered fully assembled, tested and packed on a timber base with shockproof edges and protected by heat-shrunk plastic film. On reception and after unpacking, check the equipment for damage. For transport purposes, refer to the weights and dimensions given below.

MAXIMUM OPERATING CONDITIONS

Maximum service pressure (tank full of water)

- Primary circuit: 3 bar
- Secondary circuit: 10 bar

Test pressure (tank full of water)

- Primary circuit: 4.5 bar
- Secondary circuit: 13 bar

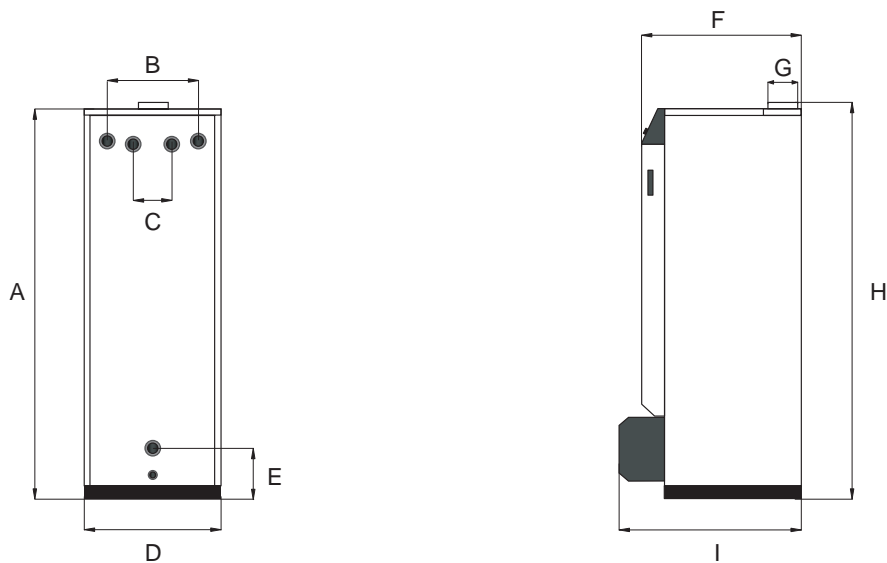
Operating temperature

- Maximum temperature: 90 °C

Water quality

- Chlorides: < 150 mg/l (Stainless steel 304)
< 2000 mg/l (Duplex)
- 6 □ pH □ 8

DIMENSIONS



		FV/35	FV/50
A	mm	1585	1830
B	mm	390	390
C	mm	200	200
D	mm	542	542
E	mm	125	125
F	mm	645	645
G	mm	80/80/125	100/100/150
H	mm	1610	1880
I	mm	800	800
Weight empty	Kg	182	220

DOMESTIC HOT WATER PERFORMANCE

		FV/35	FV/50
Operating at 80 °C			
Peak delivery at 40 °C ($\Delta T = 30$ °C)	L/10'	283	377
Peak delivery at 40 °C ($\Delta T = 30$ °C)	L/60'	1024	1485
Continuous delivery at 40 °C ($\Delta T = 30$ °C)	L/h	920	1352
Tank refill time at 60 °C			
Initial heating time	minutes	20	13
After drawing off 140 L at 45° C	minutes	10	8

GENERAL FEATURES

		FV/35	FV/50
Input	L/10'	34.9	50
Output	L/60'	32.62	46.75
Maintenance loss at 60 °C as % of rated value	%	0.8/0.7	0.6/0.45
Total capacity	L	127	162
Primary capacity	L	62	82
Heating connection	Ø	1"	1"
Domestic hot water connection	Ø	3/4"	3/4"
Hot water tank heat exchange surface	m²	1.99	2.46
Combustion efficiency	%	94.7	93.5
Average CO ₂	%	13	13
Mass rate of combustion products	g/sec.	14.8	21.2

INSTALLATION

BOILER ROOM

Important

- Keep vents free at all times.
- Do not store inflammable products in the boiler room.
- Take care not to store corrosive products near the boiler, such as paints, solvents, chlorine, salt, soap and other cleaning products.

Access

The boiler room must be large enough to allow good access to the boiler. The following minimum distances (mm) are required around the boiler:

- front	500
- behind	150
- sides	100
- above	700

Ventilation

The boiler room must be fitted with top and bottom vents as shown in illustration "L".

The table below is an example compliant with the Belgian standard.

		FV/35	FV/50
Ventilation			
Min. fresh air requirement	m ³ /h	63	90
Top vent (A)	dm ²	1.5	1.5
Bottom vent (B)	dm ²	1.5	2
Draught regulator (C)	∅	80	100

Note:

(B) and (C) only for B23 type connections

For other countries, refer to their regulations.

Base

The base on which the boiler rests must be made of noncombustible materials.

CHIMNEY CONNECTIONS



IMPORTANT

Boilers must be installed by a qualified heating engineer, in accordance with the prevailing local standards and regulations.



The chimney diameter must not be less than the diameter of the boiler connection.

Chimney connection type: B23 (See illustration L)

The boiler is connected to the chimney by a metal pipe rising at an angle from the boiler to the chimney.

Un raccord de cheminée est nécessaire.

- A. Ventilation haute
- B. Ventilation basse
- C. Régulateur de tirage
- D. Regard de visite
- E. Hauteur de la cheminée tubée
- F. Diamètre de la cheminée

		FV/35	FV/50
Chimney			
E = 5 m ∅ min. F	mm	213	236
E = 10 m ∅ min. F	mm	179	199
E = 15 m ∅ min. F	mm	162	179



Note:

Since the regulations vary from one country to another, the table above is given for information only.



Due to the high efficiency of our boilers, the flue gases are released at high temperature.

Therefore there is a risk of condensation in these flue gases, which could damage some chimneys.

To avoid this risk, it is strongly recommended to line the chimney.

Contact your installer for more information.

Chimney connection type: C...

(see illustrations M and N)

- C 13 : concentric horizontal connection
- C 33 : concentric vertical connection
- C 43 : Concentric chimney connection

Maximum length for concentric type : 6 metres

Note:

A pipe bend of 90° = an equivalent length of one metre



There should be a drain outlet close to the boiler to prevent chimney condensates entering the boiler.



To prevent condensation water running out of the terminal, all horizontal pipes should slope down to the boiler.

HEATING CONNECTION

Example of a basic circuit configuration

(see illustration G)

1. 3-way motorised mixing valve
2. Safety valve set to 3 bar with pressure gauge
3. Circulator
4. Non-return valve
5. System filling valve
6. Expansion tank
7. ACV 13 controller (see controller kit page 7)
8. Central heating isolating valve
9. Drain cock

Hydraulic kit + ACV heating kit (see illustration F)

ACV offers an optional pre-assembled circulation kit comprising:

- a circulator.
- a 3-way manual motorisable valve.
- connecting pipes including a second optional circuit.
- two isolating valves.
- adapters for mounting safety valve with pressure gauge and filling valve to right or left of expansion tank. The expansion tank is not included.

HOT WATER CONNECTION

Pressure reducer

If the water mains pressure is greater than 6 bar, a pressure reducer calibrated to 4.5 bar must be fitted.

Safety unit

The tank safety unit must be ACV approved and calibrated to 7 bar. The valve discharge must be connected to the sewer drain.

Hot water expansion tank

Installing a hot water expansion tank avoids any risk of pressure surges due to water-hammer or pressure variations.

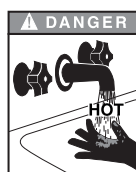
Hot water circulation

If the tank is situated a long way from the point of use, then installing a closed return circuit can provide a faster supply of hot water always available.

Example of connection with thermostatic valve

(see illustration H)

1. Safety unit
2. Pressure reducer
3. Thermostatic mixing valve
4. Hot water circulator
5. Non-return valve
6. Hot water type expansion tank
7. Cold water feed valve
8. Drawoff tap
9. Drain cock
10. Bleed valve
11. Isolating valve



IMPORTANT

As a safety measure against burns, we strongly recommend installing a thermostatic mixer.

Optional fittings available

Safety unit	Ø 3/4"
Pressure reducer	Ø 3/4"
Thermostatic mixing valve	Ø 3/4"
Expansion tank	5 litres

CONTROLLER KITS

KIT 1: ACV 13.00 / Basic (see illustration C)

Basic kit for regulating flow temperature according to weather conditions.

It comprises: temperature regulator with analogue timer, water temperature detector (-30°/130 °C), outside temperature detector (-30°/50 °C), 230V - 3 spindle servomotor SQY 31 and intermediate socket.

KIT 2: ACV 13.00 / Standard (see illustration D)

Basic kit for regulating flow temperature according to weather conditions.

It comprises: temperature regulator with analogue timer, water temperature detector (-30°/130 °C), outside temperature detector (-30°/50 °C), 230V - 3 spindle servomotor SQY 349 and intermediate socket.

Wiring diagram of ACV controller kits

(see illustration E)

- B2. Temperature probe
- B9. Outside temperature probe
- B5. Analogue/digital room thermostat
- P1. Central heating pump
- Y1/Y2/N. Mixer valve (SQK 349)
 - bl. Blue N
 - n/z. Black Y2
 - br. Brown Y1

INSTALLATION

ELECTRICAL CONNECTION

Power supply

The boiler operates with a 230 V - 50 Hz single phase supply. An on-off mains switch box with 6 A fuses must be fitted outside the boiler to allow power to be shut off during servicing and before any repairs are carried out on the boiler.

Conformity

Boiler installation must comply with the prevailing local technical standards and legislation.

Safety

The stainless steel tank must be earthed separately.



The power to the boiler must be switched off before any work is carried out.

Boiler electrical wiring (see illustration A)

1. Control thermostat (60/90 °C)
2. On/off switch
3. Summer/winter selector
4. Safety thermostat (103 °C max.)
5. Boiler power connection
6. Heating circulator connection
7. Burner connection
8. Room thermostat
9. Cut-off thermostat (95 °C)
10. Boiler power plug

- B. Blue
- Br. Brown
- Gr. Green
- Or. Orange
- R. Red

Y/Gr. Yellow / Green

BMV1 and BMV2 oil burner electric wiring

(see illustration P)

The burner is supplied with power by a 3-core cable, to be plugged into the connector situated on the burner. Instructions for connection are given in the burner technical manual.

- A1. Automatic igniting device
- M. Burner motor
- QRB. Photoelectric resistor
- OH. Heater
- Z. Transformer
- BV1. Magnetic valve
- X1. Burner Euro plug connector
- X2. Boiler plug connector

- B. Blue
- Br. Brown
- Bk. Black
- W. White
- Y/Gr. Yellow / Green

OIL SUPPLY

System construction and installation must be in accordance with DIN 4755. Local regulations must be followed.

Oil pipes must be brought sufficiently close to the burner so that the tubes can be connected without strain. On the aspiration side of the line, fit a filter with a quick closing valve. Install a check valve on the return line.

The Burner can operate with a 1 or 2 line system. In series, the burner is designed to operate with a two-line system. The vacuum in the aspiration line should not exceed 0.4 bar.



Refer to the ACV BMV1 and BMV2 burner manual supplied with them.

Single-line installation (see illustration I)

Height H	Ø 6 mm	Ø 6 mm	Ø 8 mm
4.0 m	100 m	100 m	100 m
3.5 m	100 m	100 m	100 m
3.0 m	100 m	197 m	100 m
2.5 m	100 m	181 m	100 m
2.0 m	100 m	165 m	100 m
1.5 m	197 m	149 m	177 m
1.0 m	165 m	132 m	151 m
0.5 m	132 m	116 m	126 m
Nozzle	uo to 2.5 Kg	uo to 5.0 Kg	uo to 10.0 Kg

Dual-line installation (see illustration J)

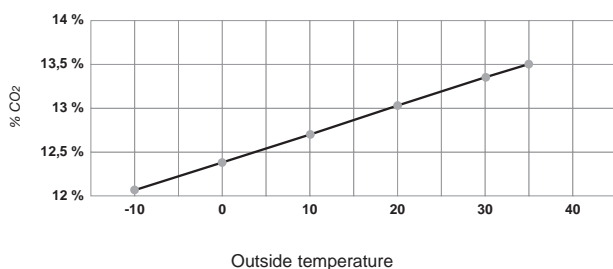
Height H	Ø 6 mm	Ø 8 mm	Ø 10 mm
0.0 m	17 m	53 m	100 m
0.5 m	15 m	47 m	100 m
1.0 m	13 m	41 m	199 m
1.5 m	11 m	34 m	184 m
2.0 m	19 m	28 m	168 m
2.5 m	17 m	22 m	153 m
3.0 m	15 m	15 m	137 m
3.5 m	13 m	19 m	122 m

ACV BMV1 AND BMV2 OIL BURNERS

Description

For the Delta Performance oil-fuelled balanced flue model, we have opted for the all-new technology of the ACV BMV1 and BMV2 oil burner, manufactured from high quality components combining performance with perfect combustion.

CO₂ chart for the ACV BMV1 and BMV2 burner



ACV BMV1 AND BMV2 BURNER CAPTIONS

(see illustration O)

1. Control unit
2. Nozzle line protection
3. Warning lamp
4. Electric plug connector
5. Attachment bracket
6. Burner blast tube
7. Ignition unit
8. High tension ignition cable
9. Oil pump
10. Oil aspiration line connection (*circuit with return only*)
11. Oil return connection
12. Motor condenser
13. Motor
14. Pump / nozzle connecting pipe
15. Burner casing
16. Nozzle line adjustment screw

ACV BMV1 AND BMV2 BURNER FACTORY SETTINGS

		FV/35	FV/50
Burner		BMV1	BMV2
Input	kW	34.9	50
Nozzle	gal/h	0,75	1.25
Nozzle angle		60°H	60°H
Oil flow	Kg/h	2.95	4.22
Pump pressure	bar	11.8	9.5
Flue gas index		0 - 0.5	0 - 0.5
Air reducer	%	37	60
Air inlet	%	90	90
Nozzle line pressure	mbar	3.5 - 4	3.5 - 4
Nozzle line	mm	10	10
Weight	Kg	14.5	14.5

WARNING: Set the % of CO₂ as per the data in the diagram above

FILLING THE DOMESTIC HOT WATER AND HEATING CIRCUITS *(see illustrations B, G et H)*



IMPORTANT

The hot water tank must be pressurised before the heating circuit is filled.

1. Fill the domestic hot water circuit and bring it up to pressure.
2. Fill the heating circuit taking care not to exceed the 2 bar pressure limit.
3. Vent the air from the top of the boiler.
4. After venting the air from the system, bring the pressure up to the static head plus 0.5 bar: 1.5 bar = 10m -2 bar = 15 m.
5. Check the power connection, the boiler room ventilation, and ensure that there are no leaks in the flue gas discharge pipes.
6. Set the boiler thermostat to between 60 and 90 °C.
7. Set the Summer/Winter selector to the desired position.
8. Switch the on/off switch to the ON position.
9. Check the oil supply *(and return)*.
10. Carry out the required venting, measurement and setting procedures.

STARTING ACV BMV1 AND BMV2 BURNERS

Refer to the ACV BMV1 and BMV2 burner manual supplied with them.

RECOMMENDATION

ACV advises that boilers should be serviced at least once a year. The burner must be serviced and tested by a competent engineer.

SERVICING THE BOILER *(see illustration K)*

1. Switch off the power at the mains switch outside the boiler and shut off the oil supply.
2. Set the on/off switch on the control panel to the OFF position.
3. Remove the top cover of the boiler (2) and take off the top of the chimney reduction (3).
5. Remove the turbulators (23) from the flue pipes (22) for cleaning. Change them if in poor condition.
6. Unscrew the burner chamber plate (10).
7. Brush the flue pipes (22).
8. Clean the burner chamber (18) and the burner.
9. Check the condition of the burner chamber plate insulation.

SERVICING THE SAFETY DEVICES

- Check that all thermostats and safety devices are working properly : boiler thermostat, cut-off thermostat and manually reset safety thermostat.
- Test the safety valves on the central heating and hot water circuits.

SERVICING THE BURNER

Refer to the ACV BMV1 and BMV2 burner manual supplied with them.

EMPTYING THE BOILER



Water flowing out of the drain cock is extremely hot and can cause severe burns. Keep people away from discharges of hot water.

Emptying the heating circuit *(see illustration G)*

1. Set the on/off switch on the control panel to the OFF position, turn off the power at the external mains switch and close the oil feed valve.
2. Close the isolating valves (8).
3. Connect a hose to the drain cock (9).
4. Open the drain cock to empty the primary circuit.

Emptying the hot water circuit *(see illustration H)*

1. Set the on/off switch on the control panel to the OFF position, turn off the power at the external mains switch and close the oil feed valve.
2. Lower the pressure in the heating circuit until the pressure gauge indicates zero bar.
3. Close the valves (7 and 11).
4. Open valves (9) and (10) (first 9 then 10).
5. Let the water empty into the drain .



For the tank to be emptied, valve (9) must be situated at ground level.

USING THE BOILER



Have your system serviced every year by a qualified heating engineer. If the boiler is subject to heavy usage, it may need more frequent servicing. If this is the case, ask your installer for advice.

Starting the burner:

In normal operation, the burner starts automatically whenever the boiler temperature falls below the set temperature.



Before doing any work on the boiler, switch off the power at the mains switch installed in the boiler room by the electrician.
On the control panel, switch off the ON/OFF switch.

Getting to know the control panel *(see illustration B)*



The user should not access the components inside the control panel.

1. Control thermostat - 60 to 90 °C

When the boiler is used only to produce domestic hot water, the temperature can be set between 60 and 90 °C. If the boiler is used for both hot water and heating, the control thermostat will, as a general rule, be set to 80 °C to ensure optimum operating conditions.

2. ON/OFF switch

Used to start and stop the boiler.

3. Summer/winter selector

Starts and stops the heating pump *(if fitted)*.

4. Thermometer

Shows the boiler temperature in the primary circuit. The temperature should not exceed 90 °C. If it does, switch off the boiler and check the thermostat settings. If there is a fault, call a heating engineer.

5. Controller

See the user instructions supplied with the unit if you have chosen this option.

6. Burner reset

7. Burner indicator lamp

Safety valve *(heating)*

If water flows from one of the safety valves, shut off the boiler and call your heating engineer.

A monthly inspection is recommended:

Lift the lever on the emptying device for a few seconds to ensure that the safety valve is working properly.



If a fault occurs after this short trial, call the installing engineer.

Safety unit *(domestic hot water)*

A monthly inspection is recommended.

Lift the lever on the emptying device for a few seconds to ensure that the safety unit is working properly.



If a fault occurs after this short trial, call the installing engineer.



Water flowing out of the safety valve or safety unit may be extremely hot and can cause very serious burns.

RESETTING ACV BMV1 AND BMV2 BURNERS

(see illustration Q)

If the burner is not working:

1. Remove the protective cover of the burner.
2. If the red light is lit, press the button to start the burner.
3. If the burner lights, replace the cover.



If the burner does not operate, switch off the power before removing the front cover panel.

4. Reset the safety thermostat on top of the boiler. (see illustration R).



Wait until the boiler temperature is below 60 °C then replace the front cover panel.

5. If the burner lights, replace its cover.
6. If the fault persists, notify the installing engineer.

Starting the burner

In normal operation, the burner starts automatically whenever the boiler temperature falls below the set temperature.



To ensure your system operates properly, have it professionally serviced once a year before the central heating season begins.

REPLACEMENT PARTS / PIÈCES DETACHÉES / WISSELSTUKKEN

EN	FR	NL	Codes
Burner See Oil burner instructions BMV(K)1 / BMV(K)2	Brûleur Voir notice du brûleur fioul BMV(K)1 / BMV(K)2	Brander Zie handleiding van de stookoliebrander BMV(K)1 / BMV(K)2	
Casing Front panel Left panel Right panel Rear panel Large top cover Small top cover Burner hood Control panel	Jaquette Face avant Face latérale gauche Face latéral droite Face arrière Grand couvercle supérieur Petit couvercle supérieur Coiffe de la porte foyer Tableau	Mantel Voorpaneel Links zijpaneel Rechts zijpaneel Achterpaneel Groot deksel bovenaan Klein deksel onderaan Kap van de vuurhaarddeur Schakelpaneel	21473397 21472397 21471397 21474397 21475397 21478397 21476397 21477342
Electrical control panel Control panel + wiring Summer/Winter selector Jumper plug (T1 - T2)	Tableau électrique Tableau de commande + câblage Interrupteur Été/Hiver Prise pontée (T1 - T2)	Elektrisch schakelbord Bedieningspaneel + bekabeling Zomer/winter-schakelaar Brugstekker (T1-T2)	24614064 54766007 257F1026
Accessories Deep tube PVCC Ø 19,5 mm / L. 800 mm Bulb for thermostat Ø 1/2" / L. 100 mm Spring clips FPL3017 Baffle, Mignon DN Balanced flue adapter Ø 80/125 mm Cerablanket isolation Condensate collector with measuring devices Flexible Master-Neo Ø 80 / L. 2 m Control thermostat Reset thermostat Drain cock Ø 1/2" Chinee reducing joint Ø 325 Rubber seal Ø 80	Accessoires Plonge PVCC Ø 19,5 mm / L. 800 mm Doigt de gant laiton Ø 1/2" / L. 100 mm Clips ressort FPL3017 Chicane Mignon DN Adaptateur ventouse Ø 80/125 mm Isolation céablanket Récupération des condensats avec éléments de mesure Flexible Master-Neo Ø 80 / L. 2 m Thermostat de réglage Thermostat à réarmement Robinet de vidange Ø 1/2" Joint réduction de cheminée Ø 325 Joint caoutchouc Ø 80	Accessoires PVCC-buis Ø 19,5 mm / L 800 mm Messing voeler huls Ø 1,2" / L 100 mm Veerclips FPL3017 Retarders Mignon DN Concentrische aansluiting Ø 80/125 mm Isolatie Cerablanket Meetelement met condensopvang Flexibele slang Master-Neo Ø 80 /L 2 m Regelthermostaat Thermostaat voor de herinschakeling Leegloopkraan Ø 1/2 " Dichting schouwreductiestuk Ø 325 Rubberen dichting Ø 80	49410045 63438001 47405006 50423352 507F3038 51305000 537D6068 537D6137 54322000 54764010 55426001 557A0016 557D2003



excellence in hot water

www.acv-world.com

INTERNATIONAL

ACV international n.v
KERKPLEIN, 39
B-1601 RUISBROEK - BELGIUM
TEL.: +32 2 334 82 20
FAX: +32 2 378 16 49
E-MAIL: international.info@acv-world.com

BELGIUM

ACV BELGIUM nv/sa
KERKPLEIN, 39
B-1601 RUISBROEK-BELGIUM
TEL.: +32 2 334 82 40
FAX: +32 2 334 82 59
E-MAIL: belgium.info@acv-world.com

CHILE

ALBIN TROTTER Y ACV LTDA
SAN PABLO 3800
QUINTA NORMAL - SANTIAGO - CHILE
TEL.: +56 2 772 01 69
FAX: +56 2 772 92 62/63
E-MAIL: chile.info@acv-world.com

CZECH REPUBLIC

ACV CR SPOL. s.r.o
NA KRECKU 365
CR-109 04 PRAHA 10 - CZECH REPUBLIC
TEL.: +420 2 720 83 341
FAX: +420 2 720 83 343
E-MAIL: ceskarepublika.info@acv-world.com

DEUTSCHLAND

ACV WÄRMETECHNIK GMBH & CO KG
GEWERBEGEBIET GARTENSTRASSE
D-08132 MÜLSEN OT ST. JACOB - DEUTSCHLAND
TEL.: +49 37601 311 30
FAX: +49 37601 311 31
E-MAIL: deutschland.info@acv-world.com

ESPAÑA

ACV ESPAÑA
C/DE LA TEIXIDORA, 76
POL. IND. LES HORTES
E-08302 MATARÓ - ESPAÑA
TEL.: +34 93 759 54 51
FAX: +34 93 759 34 98
E-MAIL: spain.info@acv-world.com

ARGENTINA

TECNO PRACTICA
ALFEREZ BOUCHARD 4857
1605 CARAPACHAY - BUENOS AIRES
TEL.: +54 11 47 65 33 35
FAX: +54 11 47 65 43 07
E-MAIL: jchas@tecnopractica.com

AUSTRALIA

HUNT HEATING PTY LTD
10 GARDEN BOULEVARD
3172 VICTORIA - AUSTRALIA
TEL.: +61 3 9558 7077
FAX: +61 3 9558 7027
E-MAIL: enquiries@huntheat.com.au

BRAZIL

SIMETAL INDUSTRIA E COMERCIO DE FERRAMENTAS LTDA
RUA GERSON ANDREIS 535
95112 - 130 CAXIAS DO SUL - BRAZIL
TEL.: +55 54 227 12 44
FAX: +55 54 227 12 26
E-MAIL: export@simetal.com.br

BULGARIA

PROXIMUS ENGINEERING LTD
7 BIAL KREM STR.
9010 VARNNA - BULGARIA
TEL.: +359 52 500 070
FAX: +359 52 301 131
E-MAIL: info@proximus-bg.com

CHINA

BEIJING HUADIAN HT POWER TECHNOLOGY DEVELOPMENT CO. LTD
ROOM B-912, TOWER B, COFCO PLAZA
Nº. 8, JIANGUOMENNEI AVENUE
BEIJING 100005 - PEOPLE'S REPUBLIC OF CHINA
TEL.: +86 10 652 30 363/393 EXT 101
FAX: +86 10 652 27 071
E-MAIL: li.zheng@acv-world.com

SHANGHAI COOLTECH LTD

14/F E. CHINA MERCHANTS PLAZA
Nº. 333 CHENGDU ROAD (N)
200041 SHANGHAI - CHINA
TEL.: +86 21 52 98 11 22 - 820
FAX: +86 21 52 98 13 58
E-MAIL: cooltech@cooltech.sh.cn

FRANCE

ACV FRANCE sa
31, RUE AMPERE - Z.I MI - PLAINE
F-69680 CHASSIEU - FRANCE
TEL.: +33 4 72 47 07 76
FAX: +33 4 72 47 08 72
E-MAIL: france.info@acv-world.com

ITALIA

ACV ITALIA
VIA PANA 92
I-48018 FAENZA (RA) - ITALIA
TEL.: +39 0546 64 61 44
FAX: +39 0546 64 61 50
E-MAIL: italia.info@acv-world.com

NEDERLAND

ACV NEDERLAND bv
POSTBUS 350
NL-2980 AJ RIDDERKERK - NEDERLAND
TEL.: +31 180 42 10 55
FAX: +31 180 41 58 02
E-MAIL: nederland.info@acv-world.com

POLAND

ACV POLSKA sp. z o.o.
UL. WITOSA 3
87 - 800 WWCOWAWEK - POLAND
TEL.: +48 54 412 56 00
FAX: +48 54 412 56 01
E-MAIL: polska.info@acv-world.com

PORTUGAL

BOILERNOX LDA
RUA OUTEIRO DO POMAR
CASAL DO CEGO, FRACÇÃO C,
PAVILHÃO 3 - MARRAZES
2400-402 LEIRIA - PORTUGAL
TEL.: +351 244 837 239/40
FAX: +351 244 823 758
E-MAIL: boilernox@mail.telepac.pt

RUSSIA

ACV RUSSIA
1/9, MAL'YI KISEL'NYI
103031 MOSCOW - RUSSIA
TEL.: +7 095 928 48 02 / +7 095 921 89 79
FAX: +7 095 928 08 77
E-MAIL: russia.info@acv-world.com

DENMARK

VARMEHUSET
FRICHSVEJ 40 A
8600 SILKEBORG - DENMARK
TEL.: +45 86 82 63 55
FAX: +45 86 82 65 03
E-MAIL: vh@varmehuset.dk

ESTONIA

TERMOM AS
TAHE 112A
51013 TARTU - ESTONIA
TEL.: +372 736 73 39
FAX: +372 736 73 44
E-MAIL: termom@termom.ee

GREECE

ESTIAS
MARASLI STREET 7
54248 THESSALONIKI - GREECE
TEL.: +30 23 10 31 98 77 / +30 23 10 32 03 58
FAX: +30 23 10 31 97 22
E-MAIL: info@genikithermanseon.gr

ÎLE MAURICE

SOTRATECH
29, RUE MELDRUM
BEAU BASSIN - ÎLE MAURICE
TEL.: +230 46 76 970
FAX: +230 46 76 971
E-MAIL: stech@intnet.mu

LITHUANIA

UAB "GILIUS IR KO"
SAVARNORIŲ PR. 192
3000 KAUNAS - LITHUANIA
TEL.: +370 37 308 930
FAX: +370 37 308 932

MAROC

CASATHERM
PLACE EL YASSIR
20300 CASABLANCA - MAROC
TEL.: +212 22 40 15 23
FAX: +212 22 24 04 86

SLOVAK REPUBLIC

ACV SLOVAKIA s.r.o.
PLUHOVÁ 49
831 04 BRATISLAVA - SLOVAK REPUBLIC
TEL.: +421 2 444 62 276
FAX: +421 2 444 62 275
E-MAIL: slovakia.info@acv-world.com

SLOVENIA

ACV D.O.O. SLOVENIA
OPEKARNA 22b
1420 TRBOVLJE - SLOVENIA
TEL.: +386 356 32 830
FAX: +386 356 32 831
E-MAIL: slovenia.info@acv-world.com

UK

ACV UK Ltd
ST. DAVID'S BUSINESS PARK
DALGETY BAY - FIFE - KY11 9PF
TEL.: +44 1383 82 01 00
FAX: +44 1383 82 01 80
E-MAIL: uk.info@acv-world.com

USA

TRIANGLE TUBE PHASE III
FREEWAY CENTER - 1 TRIANGLE LANE
BLACKWOOD NJ 08012 - USA
TEL.: +1 856 228 8881
FAX: +1 856 228 3584
E-MAIL: sales@triangletube.com

MOLDAVIA

STIMEX - PRIM S.R.L.
STR BUCURESTI, 60A
2012 CHISINAU - MOLDAVIA
TEL.: +37 32 22 46 75
FAX: +37 32 27 24 56
E-MAIL: stimex@slavik.mldnet.com

NEW ZEALAND

ENERGY PRODUCTS INTERNATIONAL
8/10 BELFAST PLACE
PO BOX 15058 HAMILTON - NEW ZEALAND
TEL.: +64 7 847 27 05
FAX: +64 7 847 42 22
E-MAIL: pmckenzie@tycoint.com

ÖSTERREICH

PROTHERM HEIZUNGSTECHNIK GmbH
TRAUNUFERSTRASSE 113
4052 ANSFELDEN - ÖSTERREICH
TEL.: +43 7229 804 82
FAX: +43 7229 804 92
E-MAIL: protherm@nextra.at

ROMANIA

SC TRUST EURO THERM SA
D.N PIATRA NEAMT - ROMAN
km 2 C.P 5 O.P 3 jud. Neamt
5600 PIATRA NEAMT - ROMANIA
TEL.: +40 233 20 62 06
FAX: +40 233 20 62 00
E-MAIL: office@eurotherm.ro

TUNISIE

SO.CO.ME CHAUMAX
BOÎTE POSTALE N°44
1002 TUNIS - TUNISIE
TEL.: +216 71 78 15 91
FAX: +216 71 78 87 31

UKRAINE

UKRTEPLOSERVICE LTD
PR. LAGUTENKO 14
83086 DONETSK - UKRAINE
TEL.: +38 062 382 60 47/48
FAX: +38 062 335 16 89