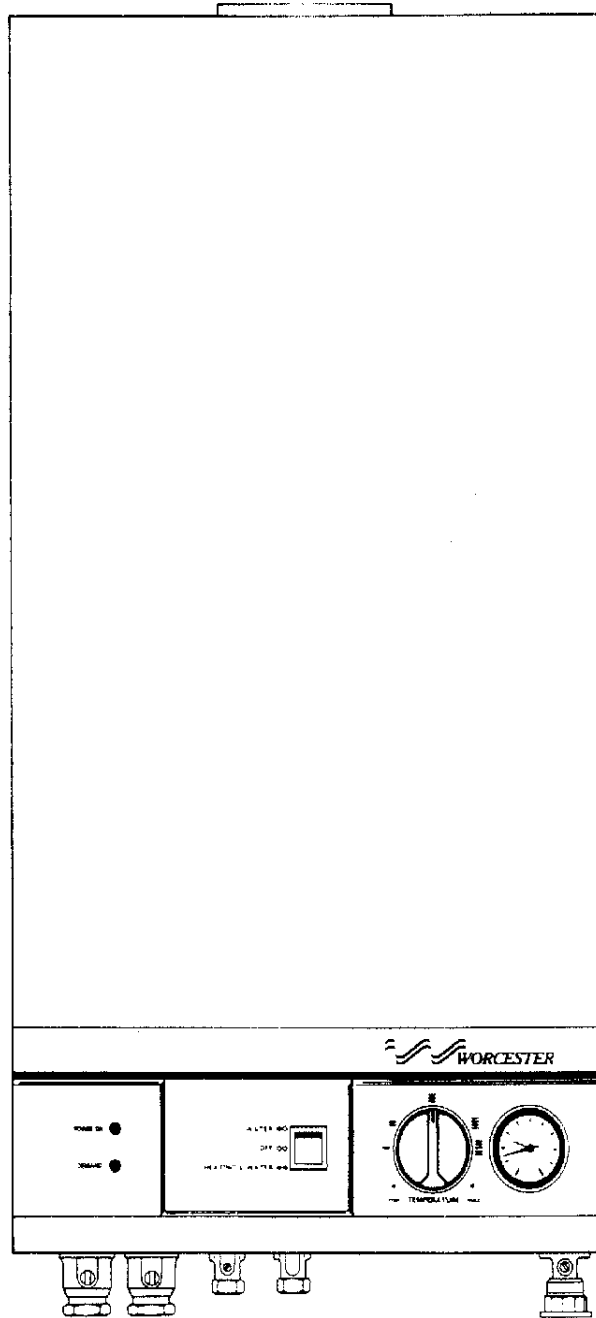


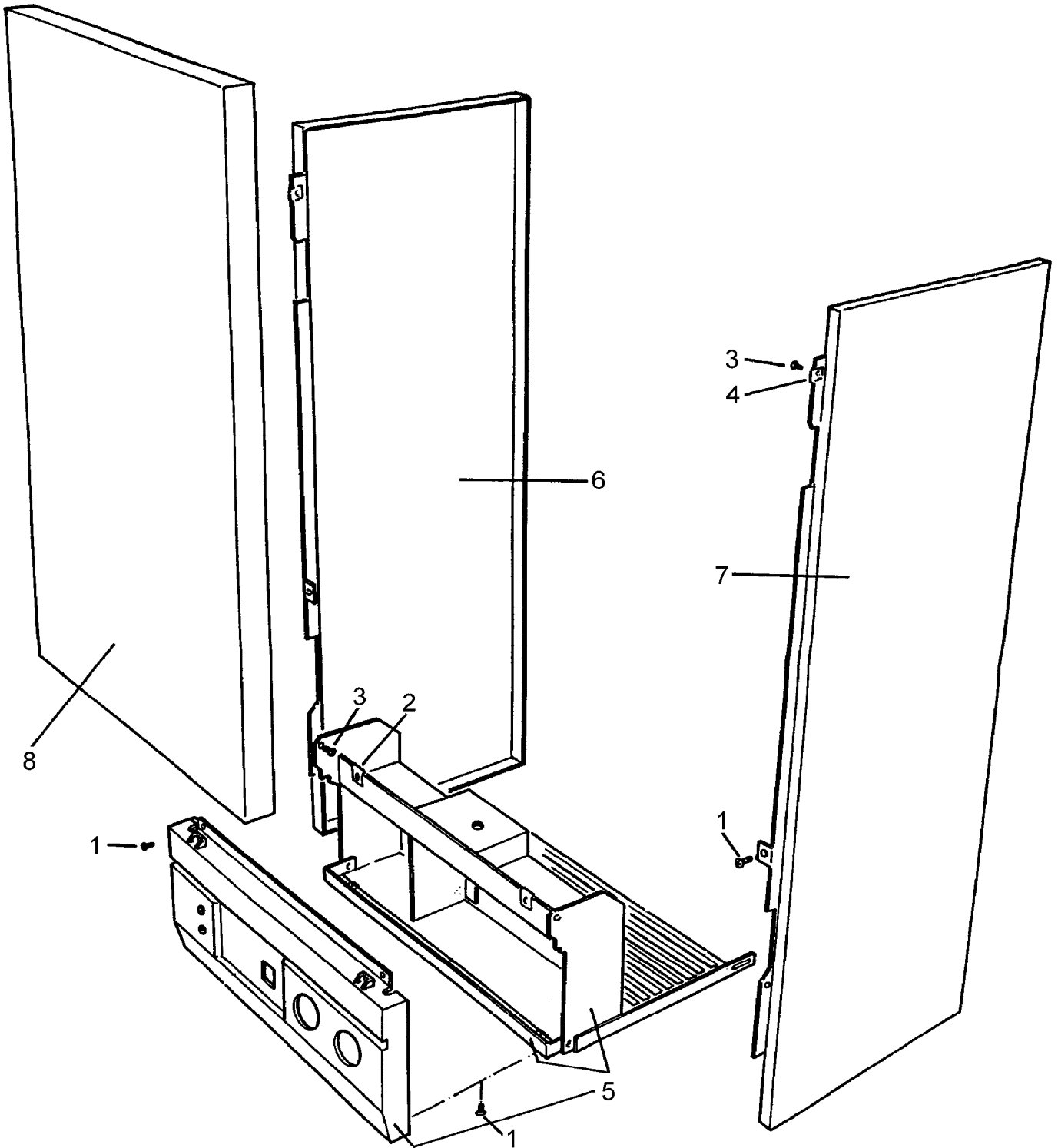
240 RSF

- 1 Casing
- 2 Superstructure
- 3 Pump & Hydraulic Assy
- 4 Electrical Box Assy
- 9 Additional Spare Parts



6720900138.AA

Spare parts list



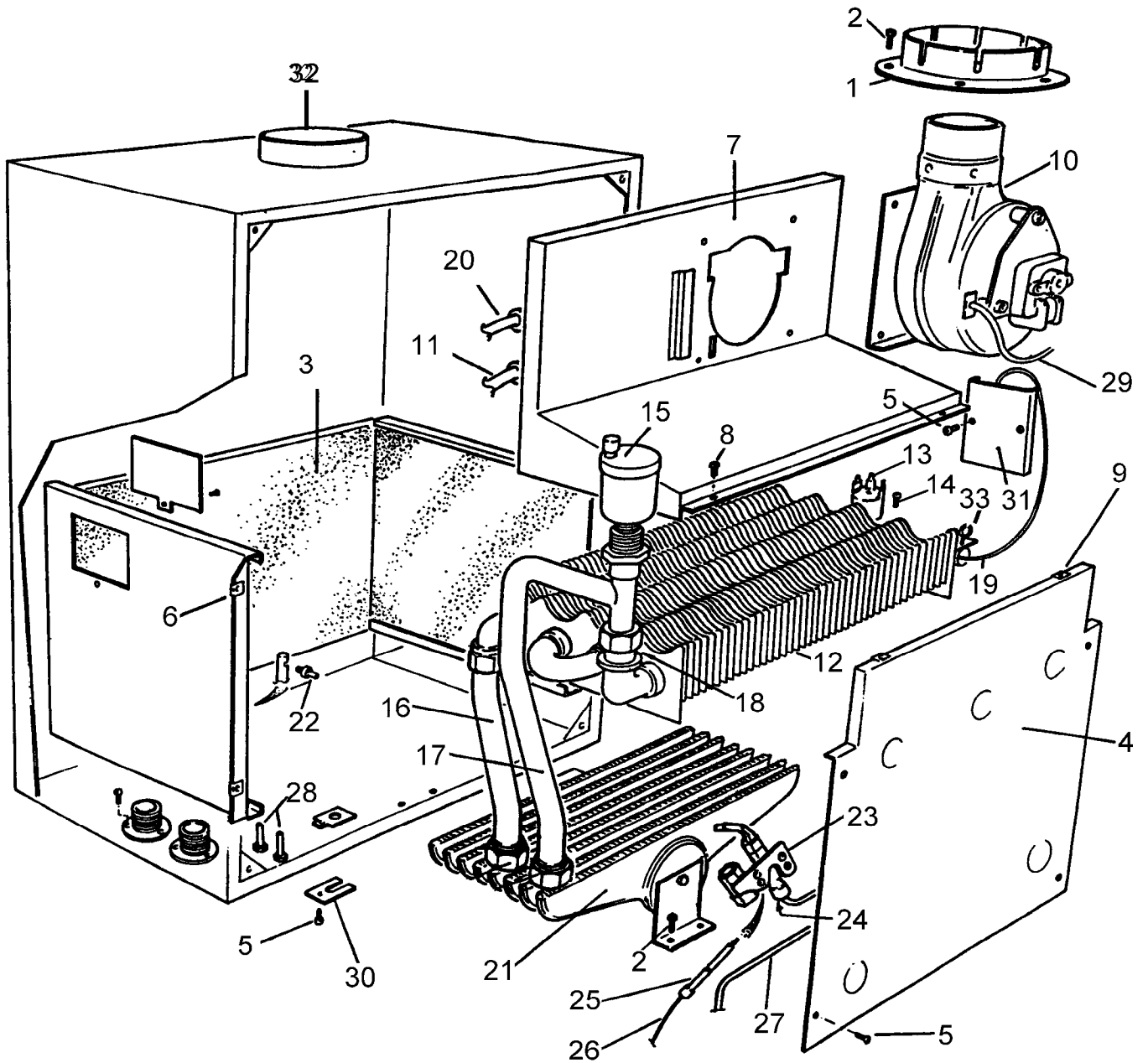
6720900126.AA

Casing
D

240-FSN 240-FSP

1

Spare parts list



2099

6720900127.AA

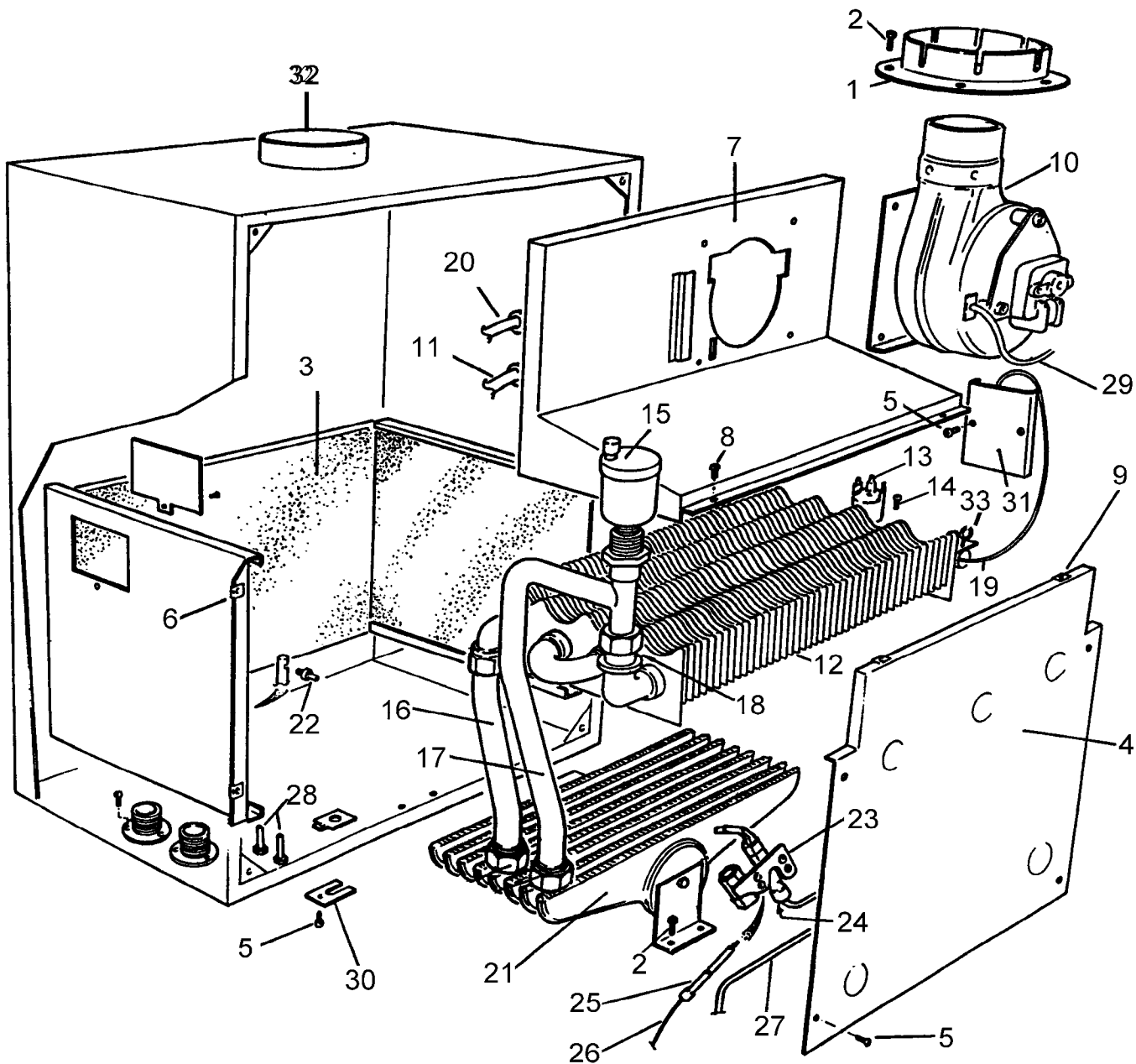
Superstructure
D

240-FSN 240-FSP

2

Pos	description	S-Nr	ordering no.	PG	gas type	240-FSN	240-FSP												remarks
1	Flue spigot		8 716 101 314 0		LPG	■													
1	Flue spigot		8 716 101 314 0		NG	■													
2	Screw m4x8mm taptite zc pl p/h		2 914 411 412 0	03	LPG	■													
2	Screw m4x8mm taptite zc pl p/h		2 914 411 412 0	03	NG	■													
3	Insulation pack		7 716 192 227 0		LPG	■													
3	Insulation pack		7 716 192 227 0		NG	■													
3	Cer.fib.brd.10x209x191mm (sides)		8 716 142 217 0		LPG	■													
3	Cer.fib.brd.10x209x191mm (sides)		8 716 142 217 0		NG	■													
3	Cer.fib.brd.10x287x246mm c/o (front)		8 716 142 218 0		LPG	■													
3	Cer.fib.brd.10x287x246mm c/o (front)		8 716 142 218 0		NG	■													
3	Cer.fib.brd.10x287x245mm (back)		8 716 142 219 0		LPG	■													
3	Cer.fib.brd.10x287x245mm (back)		8 716 142 219 0		NG	■													
4	Comb cham front assembly		8 716 120 424 0		LPG	■													
4	Comb cham front assembly		8 716 120 424 0		NG	■													
5	Screw no.8x1/2 f/h type b self tap.		2 912 421 225 0	16	LPG	■													
5	Screw no.8x1/2 f/h type b self tap.		2 912 421 225 0	16	NG	■													
6	Nut Captive No:8		8 716 148 204 0	16	LPG	■													
6	Nut Captive No:8		8 716 148 204 0	16	NG	■													
7	Collector hood assembly		8 716 120 576 0		LPG	■													
7	Collector hood assembly		8 716 120 576 0		NG	■													
8	Screw iso no 6b x 9.5 recessed		2 912 421 210 0	07	LPG	■													
8	Screw iso no 6b x 9.5 recessed		2 912 421 210 0	07	NG	■													
9	Nut spire sNu3374		8 716 155 022 0		LPG	■													
9	Nut spire sNu3374		8 716 155 022 0		NG	■													
10	Fan assembly-siFan propane		8 716 120 504 0		LPG	■													
10	Fan assy 240 / see ssa6072/1		8 716 120 567 0		NG	■													
11	Harness fan rsf elec plus		8 716 120 888 0		LPG	■													
11	Harness fan rsf elec plus		8 716 120 888 0		NG	■													
12	Gas to water heat exchanger		8 716 142 801 0		LPG	■													
12	Gas to water heat exchanger		8 716 142 801 0		NG	■													
13	T/stat T/disc 60t13500103		8 716 142 362 0		LPG	■													
13	T/stat T/disc 60t13500103		8 716 142 362 0		NG	■													
14	Screw m4x10mm taptite Scr zc pl p/h		2 914 411 408 0		LPG	■													
14	Screw m4x10mm taptite Scr zc pl p/h		2 914 411 408 0		NG	■													
15	Air-vent automatic 3/8 (ss kit)		8 716 140 500 0	35	LPG	■													
15	Air-vent automatic 3/8 (ss kit)		8 716 140 500 0	35	NG	■													
16	Pipe - heat ex return 0451		8 716 100 406 0		LPG	■													
16	Pipe - heat ex return 0451		8 716 100 406 0		NG	■													
17	Pipe - heat ex. flow assy 0453		8 716 120 569 0		LPG	■													
17	Pipe - heat ex. flow assy 0453		8 716 120 569 0		NG	■													
18	Fibre washer 23.9 X 17.2 X 1.5 (10x)		8 710 103 043 0	12	LPG	■													
18	Fibre washer 23.9 X 17.2 X 1.5 (10x)		8 710 103 043 0	12	NG	■													
18	Washer 23.9 x 17.2 x 1.5 (X1)		8 716 115 674 0		LPG	■													
18	Washer 23.9 x 17.2 x 1.5 (X1)		8 716 115 674 0		NG	■													
19	T/stat 101 c ranco lm7 p5050		8 716 142 364 0		LPG	■													
19	T/stat 101 c ranco lm7 p5050		8 716 142 364 0		NG	■													
20	Harness-pump over-run		8 716 120 881 0		LPG	■													
20	Harness-pump over-run		8 716 120 881 0		NG	■													
21	Burner assembly rsf		8 716 120 425 0		NG	■													
21	Burner assembly - lpg		8 716 121 359 0		LPG	■													
22	Injec. lpg 1/8 x120degx2.8di		8 716 156 338 0		LPG	■													
22	Injector 1/8 x 120degx 4.5d		8 716 156 339 0		NG	■													
240-FSN 240-FSP			Superstructure D															2	

Spare parts list



2099

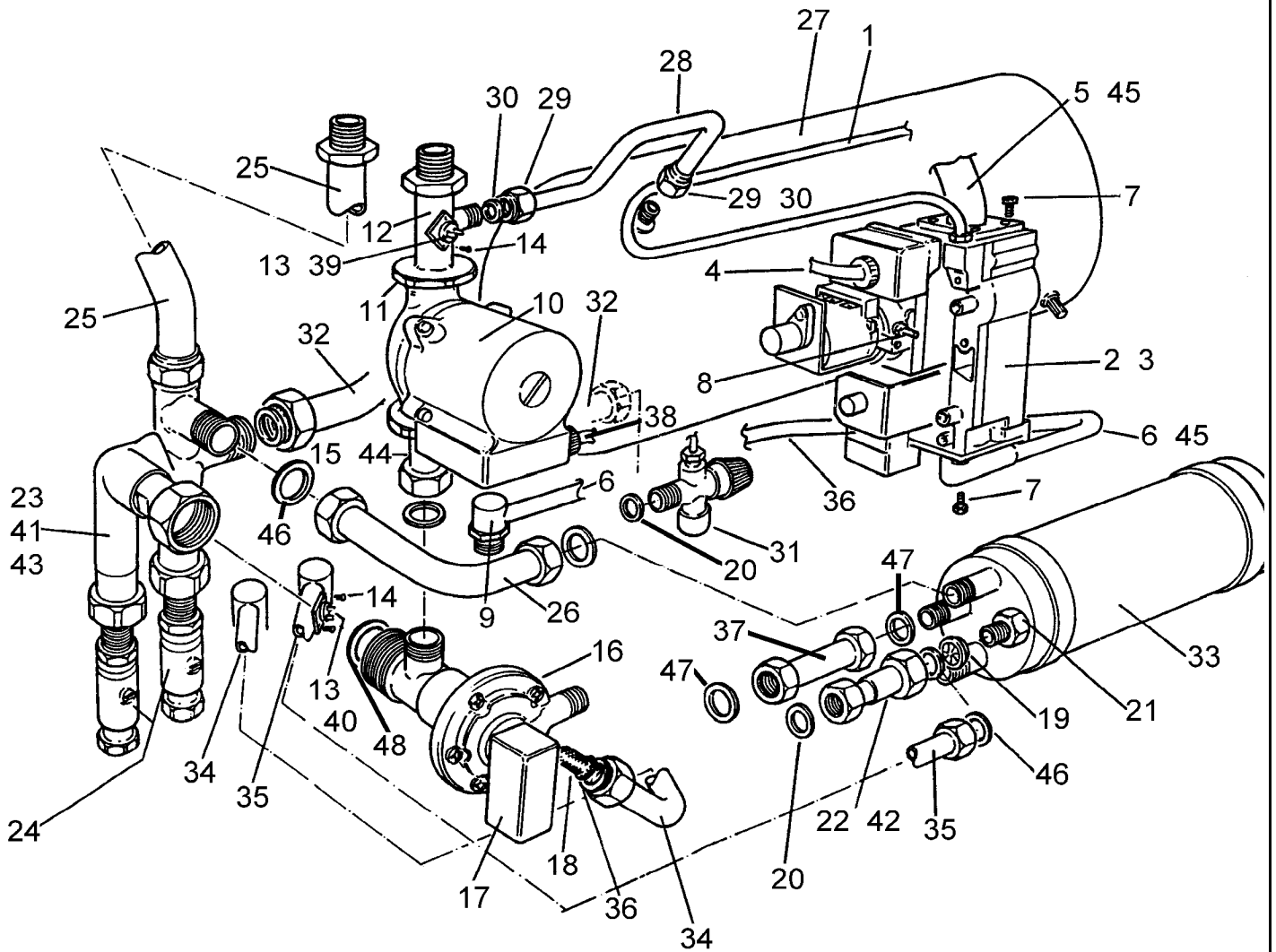
6720900127.AA

Superstructure
D

240-FSN 240-FSP

2

Spare parts list



6720900128.AA

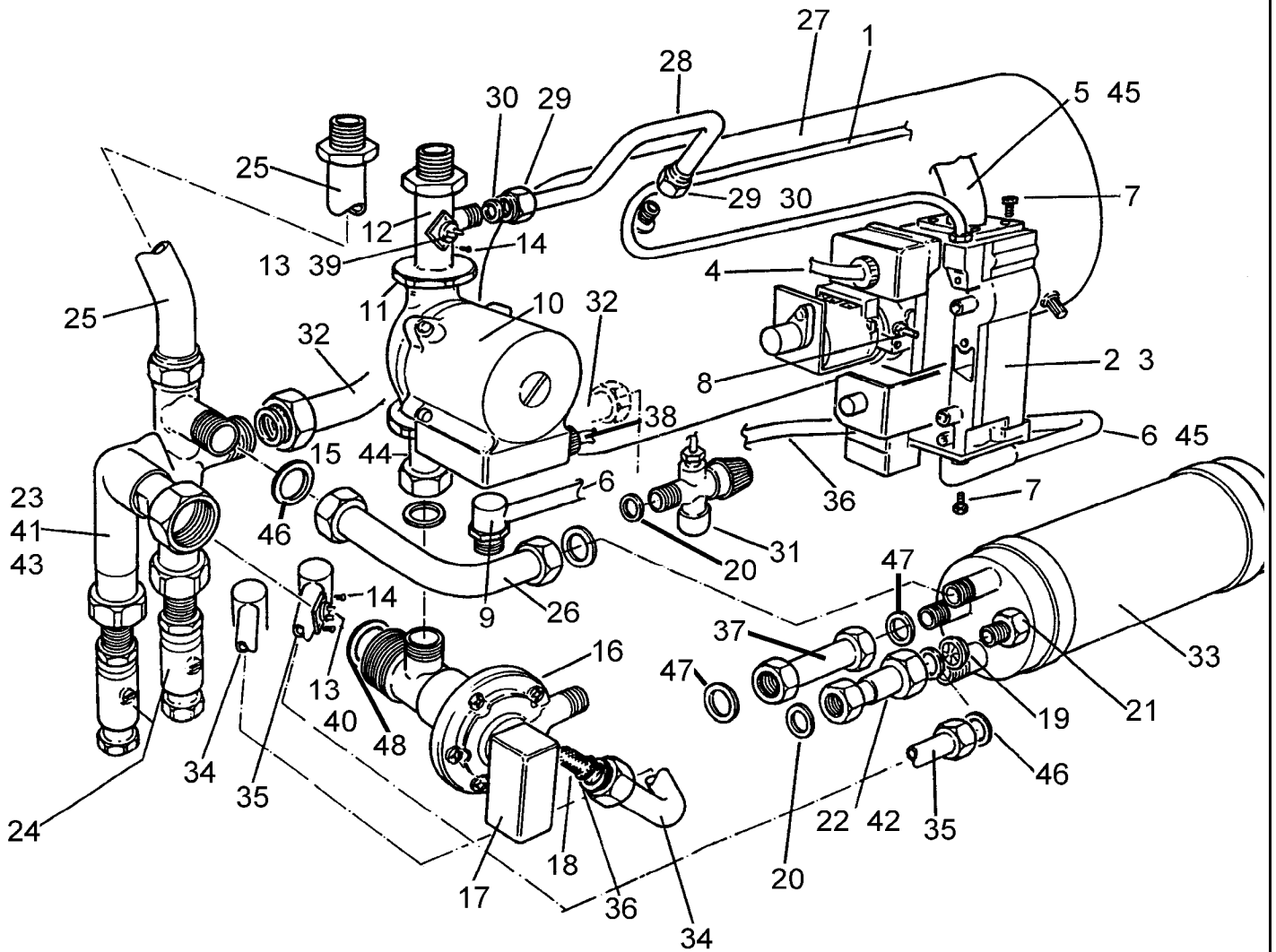
Pump / Hydraulic assy
D

240-FSN 240-FSP

3

Pos	description	S-Nr	ordering no.	PG	gas type	240-FSN	240-FSP											remarks
1	Pilot tube(240rsf with ranco gas valve)		8 716 120 460 0		NG	■												Version code: AEI
1	Pilot feed tube assembly		8 716 120 506 0		LPG	■												
1	Pilot feed tube assembly		8 716 120 506 0		NG	■												
2	Conversion kit 9.24/240-ranCo to h'well		7 716 192 124 0		NG	■												Version code: AEI
2	Gas valve rc vr4601ma3013		8 716 142 442 0		NG	■												Version code: All Others
2	Gas valve - lpg vr4601ma3021		8 716 142 445 0		LPG	■												Version code: All Others
2	Gas valve vr4601m/2017 lpg		8 716 142 496 0		LPG	■												Version code: AAA, AFB
2	Valve gas vr4601m/2009		8 716 142 497 0		NG	■												Version code: AAA ,AFB
3	Gasket pack Gas c240 rsf		8 716 140 772 0		LPG	■												
3	Gasket pack Gas c240 rsf		8 716 140 772 0		NG	■												
4	Harness g/valve main & pilot		8 716 120 832 0		LPG	■												Version code: All Others
4	Harness g/valve main & pilot		8 716 120 832 0		NG	■												Version code: All Others
4	Harness - gas valve (ranco)		8 716 120 835 0		LPG	■												Version code: AEI
4	Harness - gas valve (ranco)		8 716 120 835 0		NG	■												Version code: AEI
4	Harn g/vlv main+pilot rsf (e+)		8 716 120 887 0		LPG	■												Version code: AAA, AFB
4	Harn g/vlv main+pilot rsf (e+)		8 716 120 887 0		NG	■												Version code: AAA, AFB
5	Burner manifold		8 716 143 026 0		LPG	■												Version code: All Others
5	Burner manifold		8 716 143 026 0		NG	■												Version code: All Others
5	Burner manifold		8 716 148 160 0		LPG	■												Version code: AEI
5	Burner manifold		8 716 148 160 0		NG	■												Version code: AEI
6	Conversion kit 9.24/240-ranCo to h'well		7 716 192 124 0		LPG	■												Version code: AEI
6	Conversion kit 9.24/240-ranCo to h'well		7 716 192 124 0		NG	■												Version code: AEI
6	Pipe - gas inlet assembly 0458		8 716 120 566 0		LPG	■												Version code: All Others
6	Pipe - gas inlet assembly 0458		8 716 120 566 0		NG	■												Version code: All Others
7	Screw m5x10mm hex/slotted head		2 911 131 152 0	08	LPG	■												
7	Screw m5x10mm hex/slotted head		2 911 131 152 0	08	NG	■												
8	Pressure feedback nipple		8 716 156 316 0		LPG	■												
8	Pressure feedback nipple		8 716 156 316 0		NG	■												
9	Gas cock 1/2 bspt & g5/8 ma		8 716 142 424 0		LPG	■												
9	Gas cock 1/2 bspt & g5/8 ma		8 716 142 424 0		NG	■												
10	Standard 15/60 Pump Head		8 716 113 594 0		LPG	■												
10	Standard 15/60 Pump Head		8 716 113 594 0		NG	■												
10	Pump UPS 15-60 12 OCL(50526639)		8 716 143 105 0	50	LPG	■												
10	Pump UPS 15-60 12 OCL(50526639)		8 716 143 105 0	50	NG	■												
11	Cap nut - 1 1/2 bsp (pump nut)		8 716 140 515 0		LPG	■												
11	Cap nut - 1 1/2 bsp (pump nut)		8 716 140 515 0		NG	■												
12	Pipe - pump flow fitting		8 716 148 024 0		LPG	■												
12	Pipe - pump flow fitting		8 716 148 024 0		NG	■												
13	Thermistor - sensor		8 716 142 319 0		LPG	■												
13	Thermistor - sensor		8 716 142 319 0		NG	■												
14	Screw m3x6mm zc pl p/h taptite		2 914 411 411 0	18	LPG	■												
14	Screw m3x6mm zc pl p/h taptite		2 914 411 411 0	18	NG	■												
15	Coupling assly(pump to div'r)		8 716 120 482 0		LPG	■												
15	Coupling assly(pump to div'r)		8 716 120 482 0		NG	■												
16	Diverter valve ref:- d2040		8 716 142 419 0		LPG	■												
16	Diverter valve ref:- d2040		8 716 142 419 0		NG	■												
17	Micro switch & harness		8 716 120 833 0	48	LPG	■												
17	Micro switch & harness		8 716 120 833 0	48	NG	■												
18	Water filter mpmv3326 st.st.		8 716 148 400 0	30	LPG	■												
18	Water filter mpmv3326 st.st.		8 716 148 400 0	30	NG	■												
19	Flow regulator type E-W 8 litre white		8 716 141 054 0	21	LPG	■												
19	Flow regulator type E-W 8 litre white		8 716 141 054 0	21	NG	■												
240-FSN 240-FSP			Pump / Hydraulic assy D													3		

Spare parts list



6720900128.AA

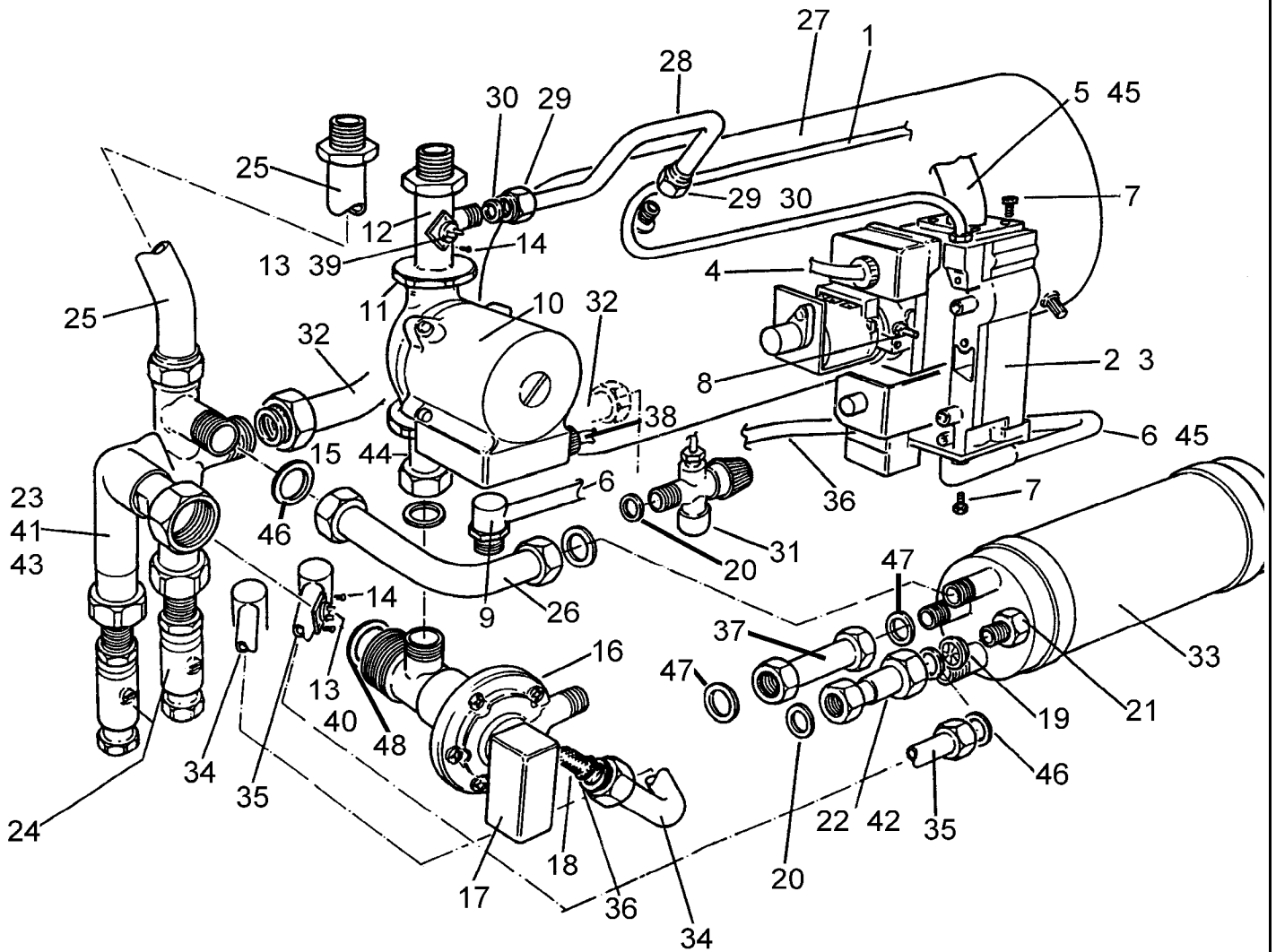
Pump / Hydraulic assy
D

240-FSN 240-FSP

3

Pos	description	S-Nr	ordering no.	PG	gas type	240-FSN	240-FSP											remarks
20	Washer 18.6 X 13.5 X 1.5 (10x)		8 710 103 045 0	11	LPG	■												
20	Washer 18.6 X 13.5 X 1.5 (10x)		8 710 103 045 0	11	NG	■												
20	Washer 18.6 x 13.5 x 1.5 (1x)		8 716 115 680 0		LPG	■												
20	Washer 18.6 x 13.5 x 1.5 (1x)		8 716 115 680 0		NG	■												
21	Flow regulator housing		8 716 140 244 0		LPG	■												
21	Flow regulator housing		8 716 140 244 0		NG	■												
22	Coupling assembly		8 716 120 507 0		LPG	■												
22	Coupling assembly		8 716 120 507 0		NG	■												
23	Valve by-pass assembly		8 716 120 508 0		LPG	■												
23	Valve by-pass assembly		8 716 120 508 0		NG	■												
24	Valve 22mm bulkhead (balltype)		8 716 142 435 0		LPG	■												
24	Valve 22mm bulkhead (balltype)		8 716 142 435 0		NG	■												
25	Pipe - return assembly		8 716 120 574 0		LPG	■												
25	Pipe - return assembly		8 716 120 574 0		NG	■												
26	Pipe - w-w ht ex return 0454		8 716 100 392 0		LPG	■												
26	Pipe - w-w ht ex return 0454		8 716 100 392 0		NG	■												
27	Expansion Vessel Zilmnett 10L		8 716 111 386 0		LPG	■												
27	Expansion Vessel Zilmnett 10L		8 716 111 386 0		NG	■												
28	Pipe - expansion vess. assy 0461		8 716 120 422 0		LPG	■												
28	Pipe - expansion vess. assy 0461		8 716 120 422 0		NG	■												
29	Nut 10mm compression		8 716 140 226 0	13	LPG	■												
29	Nut 10mm compression		8 716 140 226 0	13	NG	■												
30	10mm compression ring		8 716 140 227 0	18	LPG	■												
30	10mm compression ring		8 716 140 227 0	18	NG	■												
31	Valve pr.rel.1/2 x15mmx1/8		8 716 142 416 0	37	LPG	■												
31	Valve pr.rel.1/2 x15mmx1/8		8 716 142 416 0	37	NG	■												
32	Pipe - pressure relief assy 0459		8 716 120 533 0		LPG	■												
32	Pipe - pressure relief assy 0459		8 716 120 533 0		NG	■												
33	Water to Water heat exchanger		8 716 120 560 0		LPG	■												
33	Water to Water heat exchanger		8 716 120 560 0		NG	■												
34	Pipe - dom water inlet assy 0456		8 716 120 571 0		LPG	■												
34	Pipe - dom water inlet assy 0456		8 716 120 571 0		NG	■												
35	Pipe - domestic outlet 0455		8 716 120 570 0		LPG	■												
35	Pipe - domestic outlet 0455		8 716 120 570 0		NG	■												
36	Harness modureg		8 716 120 877 0		LPG	■												
36	Harness modureg		8 716 120 877 0		NG	■												
37	Pipe - flow assy wPipe - w ht ex 0452		8 716 120 536 0		LPG	■												
37	Pipe - flow assy wPipe - w ht ex 0452		8 716 120 536 0		NG	■												
38	Harness-grunfoss 910mm		8 716 120 838 0		LPG	■												
38	Harness-grunfoss 910mm		8 716 120 838 0		NG	■												
39	Harness sensor (c.h.)		8 716 120 849 0		LPG	■												
39	Harness sensor (c.h.)		8 716 120 849 0		NG	■												
40	Harness sensor (dhw)		8 716 120 850 0		LPG	■												
40	Harness sensor (dhw)		8 716 120 850 0		NG	■												
41	Screw by-pass		8 716 140 254 0		LPG	■												
41	Screw by-pass		8 716 140 254 0		NG	■												
42	O-Ring 2.62 x 11.91 id nitrile		8 716 140 802 0	15	LPG	■												
42	O-Ring 2.62 x 11.91 id nitrile		8 716 140 802 0	15	NG	■												
43	O-Ring 2.40 x 7.60 id nitrile		8 716 140 808 0	17	LPG	■												
43	O-Ring 2.40 x 7.60 id nitrile		8 716 140 808 0	17	NG	■												
44	O-Ring 17.6 ID X 2.4 EP		8 716 140 820 0	02	LPG	■												
44	O-Ring 17.6 ID X 2.4 EP		8 716 140 820 0	02	NG	■												
240-FSN 240-FSP			Pump / Hydraulic assy D															3

Spare parts list



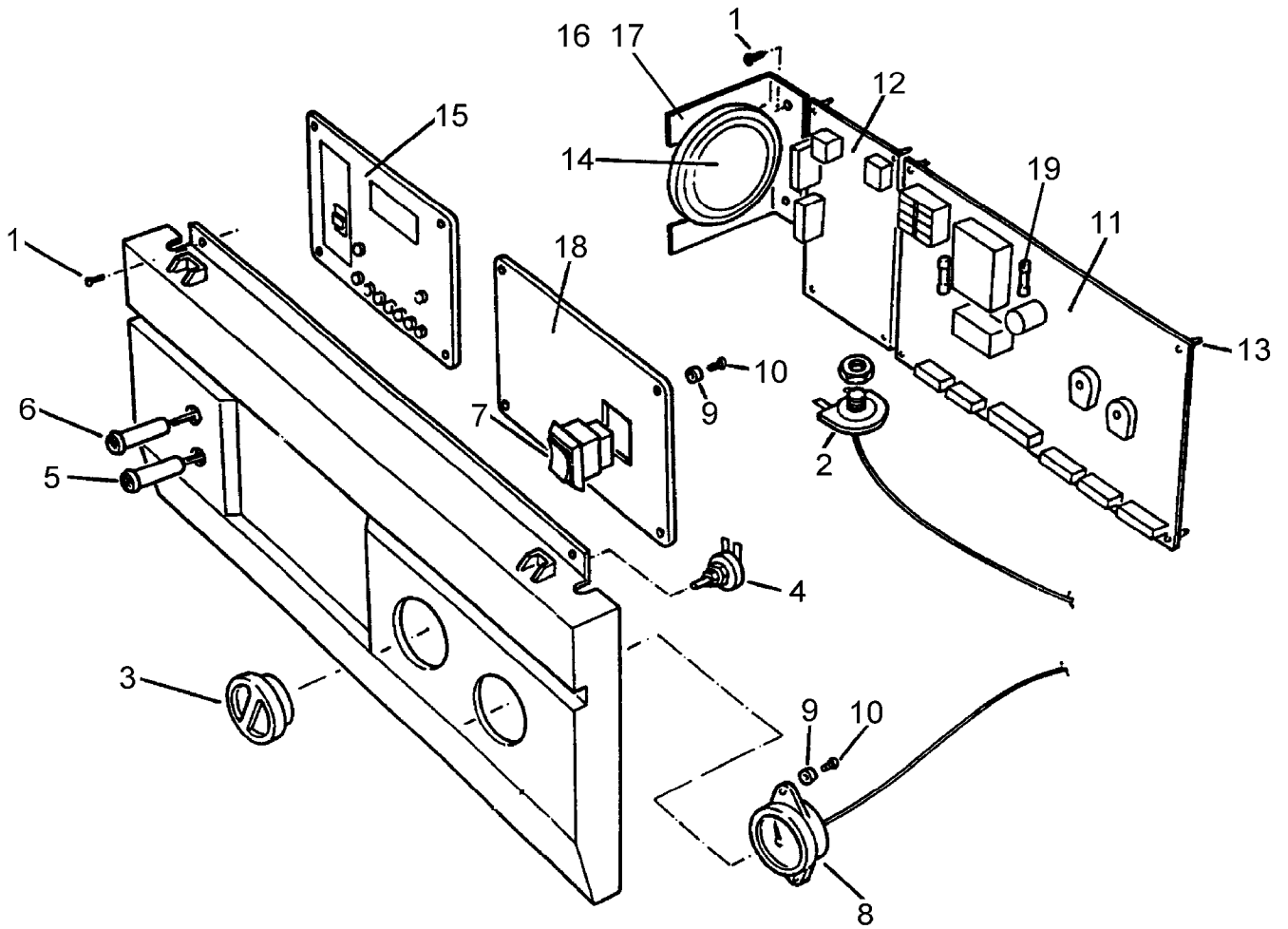
6720900128.AA

Pump / Hydraulic assy
D

240-FSN 240-FSP

3

Spare parts list



6720900129.AA

Electrical Box Assembly
D

240-FSN 240-FSP

4

Pos	description	S-Nr	ordering no.	PG	gas type	240-FSN	240-FSP													remarks
1	Screw no.8x1/2 f/h type b self tap.		2 912 421 225 0	16	LPG	■														
1	Screw no.8x1/2 f/h type b self tap.		2 912 421 225 0	16	NG	■														
2	T/stat 101 c ranco lm7 p5050		8 716 142 364 0		LPG	■														
2	T/stat 101 c ranco lm7 p5050		8 716 142 364 0		NG	■														
3	Knob control		8 716 141 086 0		LPG	■														
3	Knob control		8 716 141 086 0		NG	■														
4	Harness potentiometer		8 716 120 909 0		LPG	■														
4	Harness potentiometer		8 716 120 909 0		NG	■														
5	Lamp green c/w connectors		8 716 120 862 0		LPG	■														
5	Lamp green c/w connectors		8 716 120 862 0		NG	■														
6	Lamp amber c/w connectors		8 716 120 861 0		LPG	■														
6	Lamp amber c/w connectors		8 716 120 861 0		NG	■														
7	Switch arrow200400e839 aa 3pos		8 716 146 106 0		LPG	■														
7	Switch arrow200400e839 aa 3pos		8 716 146 106 0		NG	■														
8	Pressure gauge & Washer		8 716 142 326 0		LPG	■														
8	Pressure gauge & Washer		8 716 142 326 0		NG	■														
9	Washer nylon 6mm x 10mm x 5mm		8 716 141 078 0		LPG	■														
9	Washer nylon 6mm x 10mm x 5mm		8 716 141 078 0		NG	■														
10	Screw iso no 6b x 9.5 recessed		2 912 421 210 0	07	LPG	■														
10	Screw iso no 6b x 9.5 recessed		2 912 421 210 0	07	NG	■														
11	Mother driver board w4115b1226		8 716 146 304 0		LPG	■														
11	Mother driver board w4115b1226		8 716 146 304 0		NG	■														
12	Ignition control board		8 716 146 305 0		LPG	■														
12	Ignition control board		8 716 146 305 0		NG	■														
13	Pcb black nylon pillars		8 716 141 060 0		LPG	■														
13	Pcb black nylon pillars		8 716 141 060 0		NG	■														
14	Pressure s/w. sitgas-0.380.033		8 716 146 132 0		LPG	■														
14	Pressure s/w. sitgas-0.380.033		8 716 146 132 0		NG	■														
15	Electronic timer-s230e7		7 716 192 008 0		LPG	■														
15	Electronic timer-s230e7		7 716 192 008 0		NG	■														
15	Mechanical timer-s230m1		7 716 192 009 0		LPG	■														
15	Mechanical timer-s230m1		7 716 192 009 0		NG	■														
16	Air press switch mtg plate		8 716 100 390 0		LPG	■														
16	Air press switch mtg plate		8 716 100 390 0		NG	■														
17	Harness pressure switch		8 716 120 848 0		LPG	■														
17	Harness pressure switch		8 716 120 848 0		NG	■														
18	Inset plate		8 716 141 100 0		LPG	■														
18	Inset plate		8 716 141 100 0		NG	■														
19	Fuse 315ma anti-surge 20mm lg		8 716 156 010 0		LPG	■														
19	Fuse 315ma anti-surge 20mm lg		8 716 156 010 0		NG	■														
	Harness earth lead cHassis e+		8 716 120 883 0		LPG	■														
	Harness earth lead cHassis e+		8 716 120 883 0		NG	■														
	Harness earth lead pcb e+		8 716 120 884 0		LPG	■														
	Harness earth lead pcb e+		8 716 120 884 0		NG	■														
	Harn output-seqbd/stat e rsf		8 716 120 885 0		LPG	■														
	Harn output-seqbd/stat e rsf		8 716 120 885 0		NG	■														
	Harness 3way switch		8 716 120 910 0		LPG	■														
	Harness 3way switch		8 716 120 910 0		NG	■														
	Potentiometer adjuster - nylon		8 716 141 068 0	15	LPG	■														
	Potentiometer adjuster - nylon		8 716 141 068 0	15	NG	■														

240-FSN 240-FSP	Electrical Box Assembly D	4
------------------------	------------------------------	----------

**ADDITIONAL SPARE PARTS
FOR APPLIANCE
NOT DRAWN**

9099

6720900999.AA

Additional Spare Part
D

9

240-FSN 240-FSP

List of translations

Pos			
1			
2			
3			
4			
5			
6			
7			
8			
2			
1			
2			
3			
4			
5			
6			
7			
8			
9			
10			
11			
12			
13			
14			
15			
16			
17			
18			
19			
20			
21			
22			
23			
24			
25			
26			
27			
28			
30			
31			
32			
33			
3			
1			
2			
3			
4			
5			
6			
7			
Pos			
8			
9			
10			
11			
12			
13			

List of translations

14				
15				
16				
17				
18				
19				
20				
21				
22				
23				
24				
25				
26				
27				
28				
29				
30				
31				
32				
33				
34				
35				
36				
37				
38				
39				
40				
41				
42				
43				
44				
45				
46				
47				
48				
4				
1				
2				
3				
4				
5				
6				
7				
8				
9				
10				
11				
12				
13				
Pos				
14				
15				
16				
17				
18				
19				

