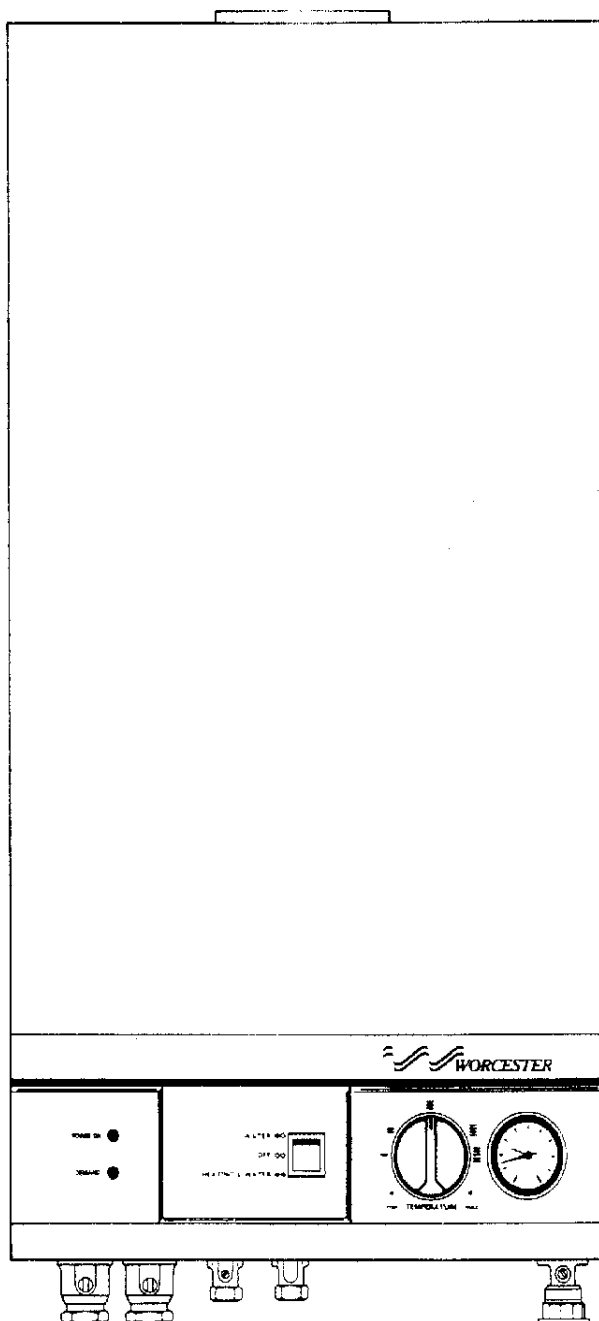


# 230 RSF

- 1 Casing
- 2 Superstructure
- 3 Pump & Hydraulic Assy
- 4 Electrical Box Assy
- 9 Additional Spare Parts

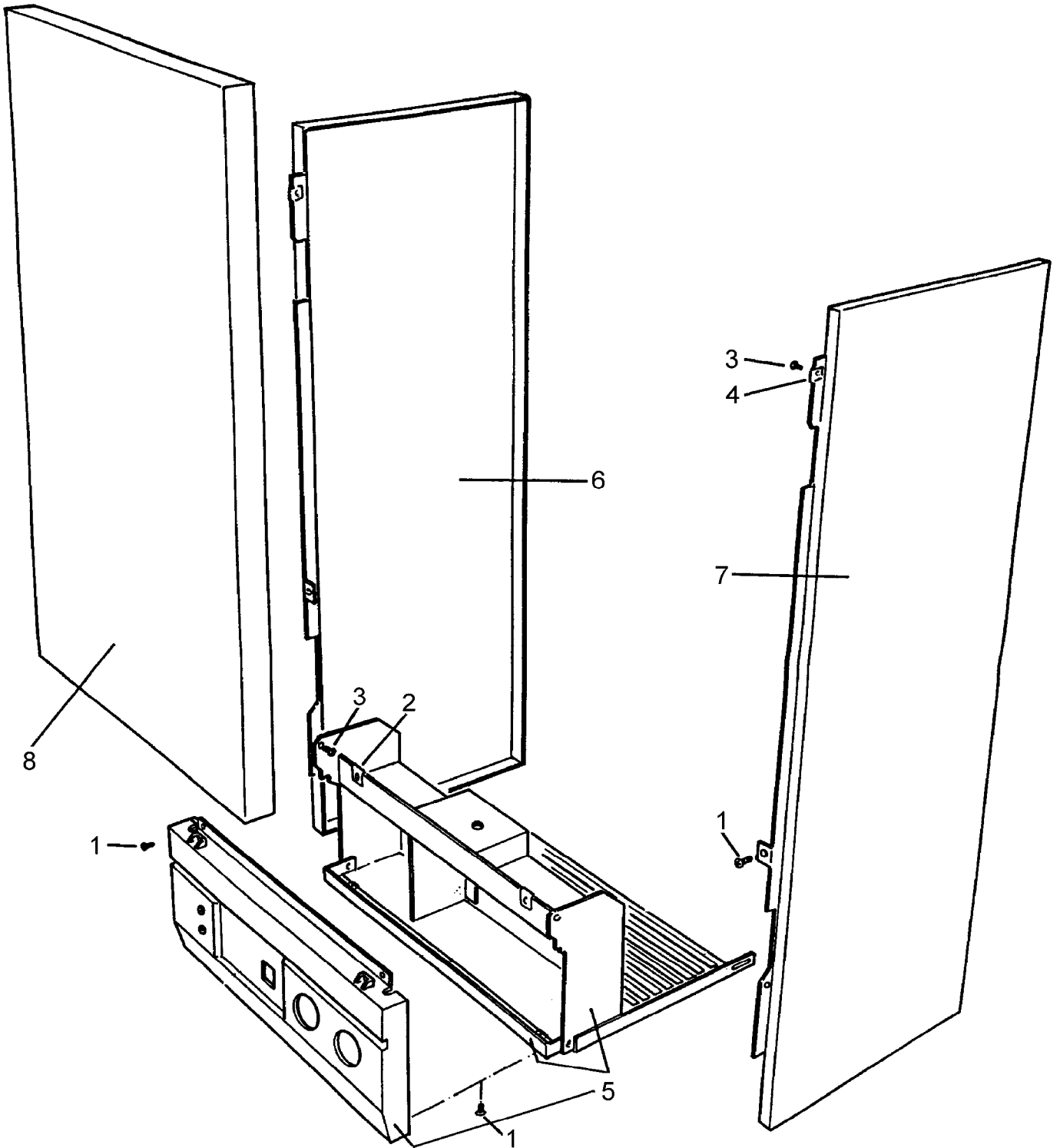


6720900138.AA





Spare parts list



6720900126.AA

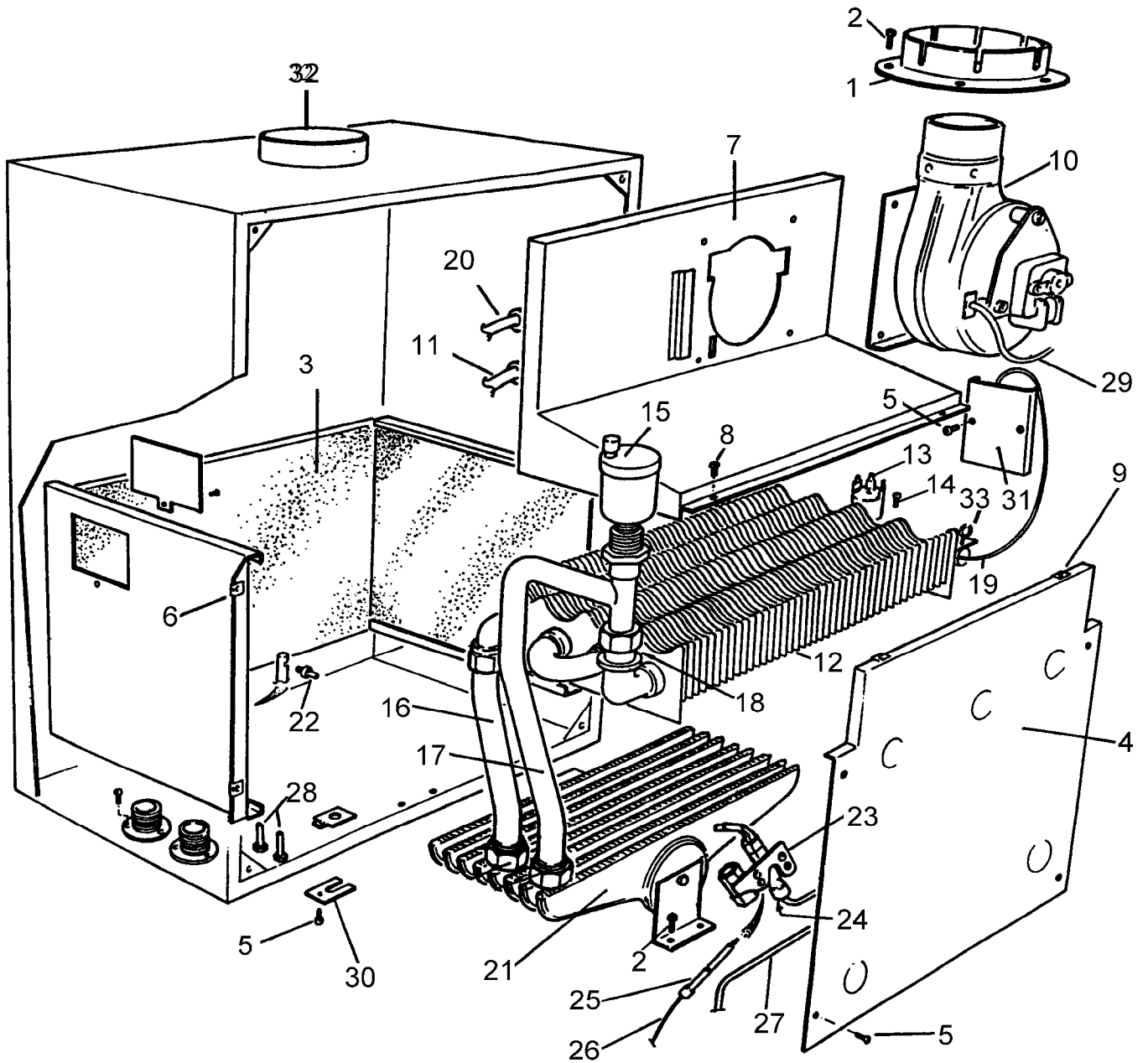
Casing  
D

230-FSN

1



Spare parts list



2099

6720900127.AA

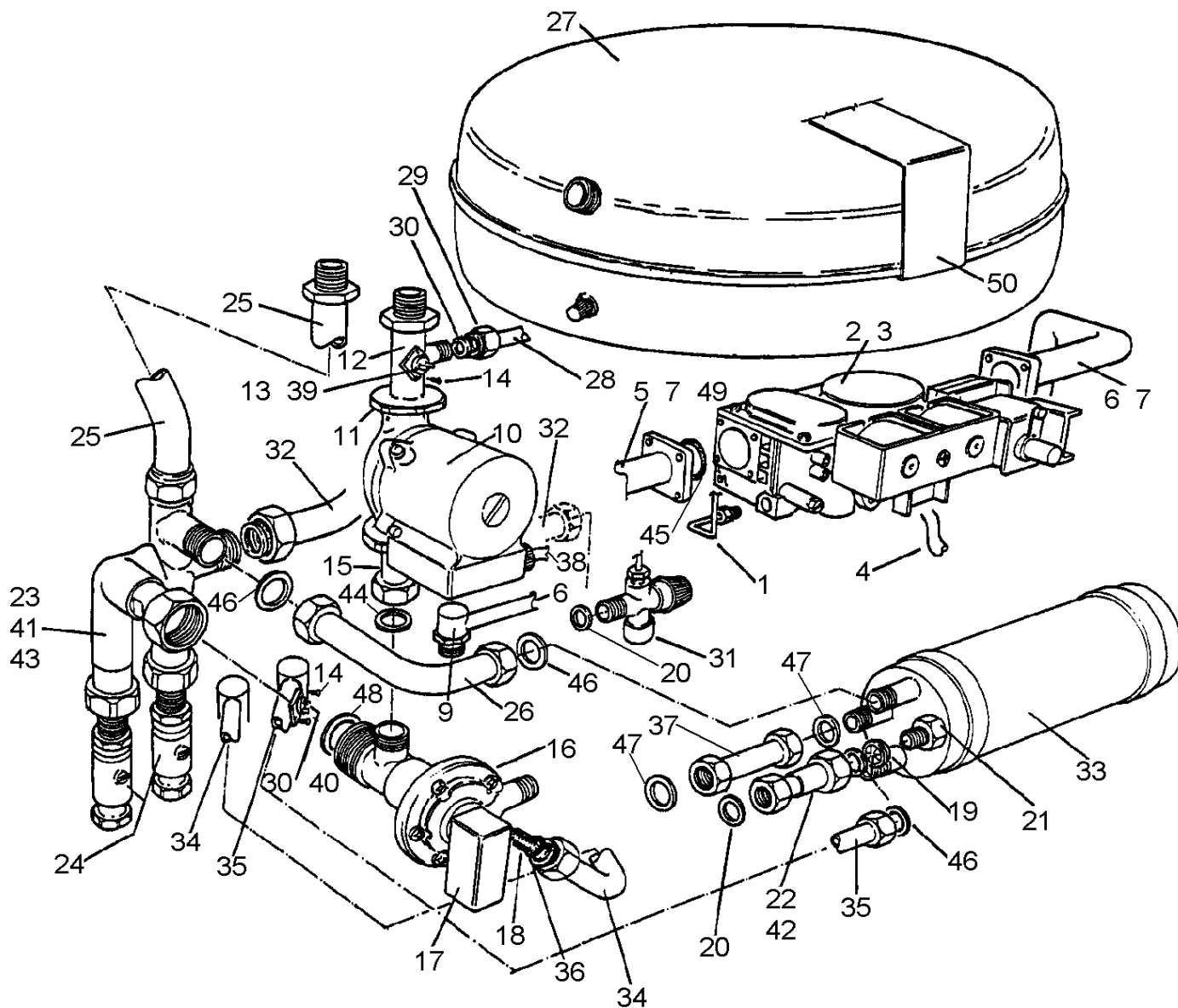
Superstructure  
D

230-FSN

2



Spare parts list



6720900257.AA

Hydraulic & Pump Assy  
D

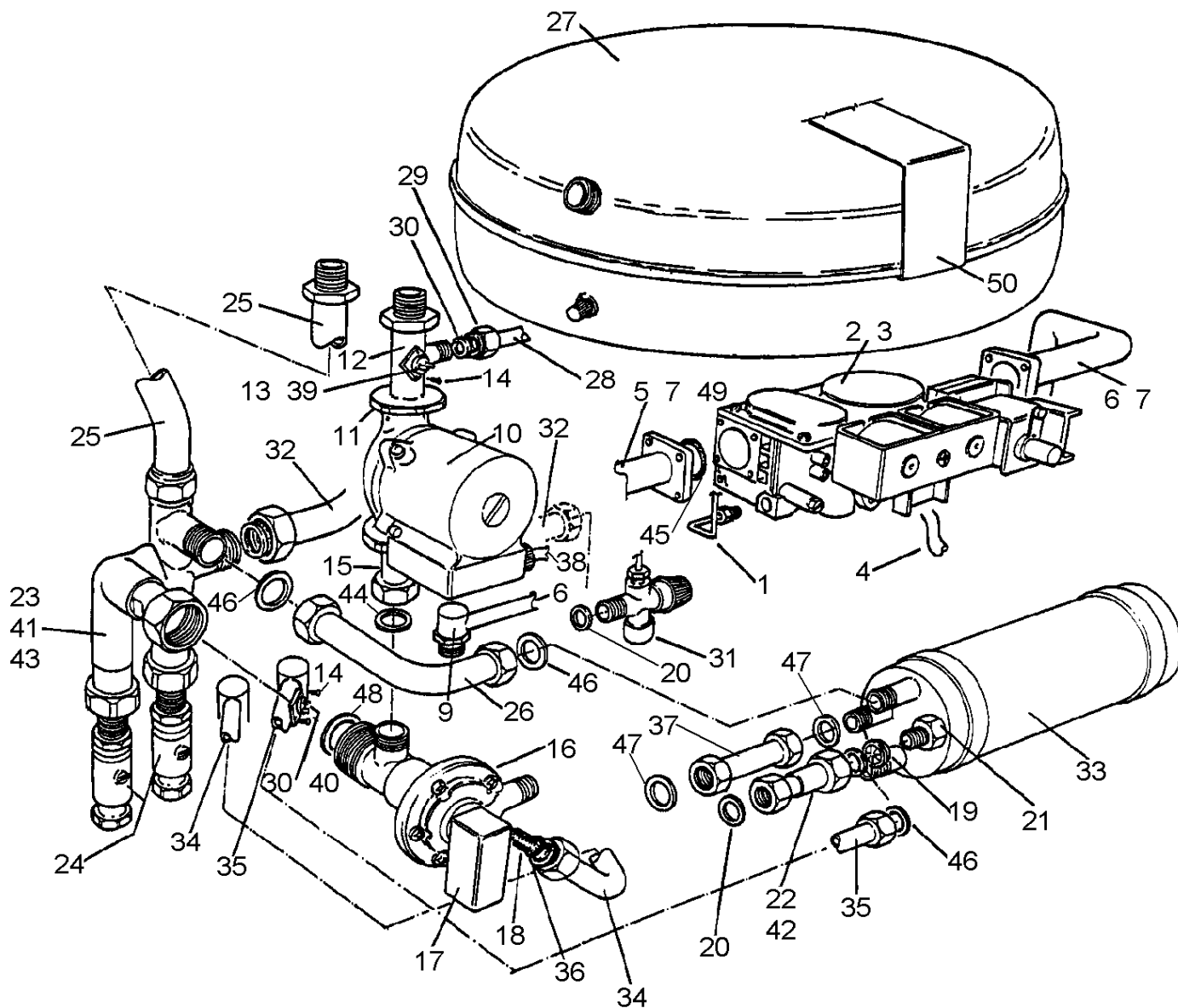
230-FSN

3



Pos	description	S-Nr	ordering no.	PG	gas type	230-FSN												remarks
1	Pilot feed tube assembly		8 716 120 791 0		NG	■												
2	Gas valve - ng		8 716 142 413 0		NG	■												
3	Gasket pack - Gas		7 716 192 241 0		NG	■												
4	Harness-gas valve		8 716 120 819 0		NG	■												
5	Manifold-burner		8 716 143 022 0		NG	■												
6	Pipe - gas inlet assembly		8 716 120 792 0		NG	■												
7	Screw m4x8mm hex hd Scr zinc plated		2 911 051 118 0		NG	■												
9	Gas cock 1/2 bspt & g5/8 ma		8 716 142 424 0		NG	■												
10	Standard 15/60 Pump Head		8 716 113 594 0		NG	■												
10	Pump UPS 15-60 12 OCL(50526639)		8 716 143 105 0	50	NG	■												
11	Cap nut - 1 1/2 bsp ( pump nut )		8 716 140 515 0		NG	■												
12	Pipe - pump flow fitting		8 716 148 024 0		NG	■												
13	Thermistor - sensor		8 716 142 319 0		NG	■												
14	Screw m3x6mm zc pl p/h taptite		2 914 411 411 0	18	NG	■												
15	Coupling assly(pump to div'r)		8 716 120 482 0		NG	■												
16	Diverter valve ref:- d2040		8 716 142 419 0		NG	■												
17	Micro switch & harness		8 716 120 833 0	48	NG	■												
18	Water filter mpmv3326 st.st.		8 716 148 400 0	30	NG	■												
19	Flow regulator type E-W 8 litre white		8 716 141 054 0	21	NG	■												
20	Washer 18.6 X 13.5 X 1.5 (10x)		8 710 103 045 0	11	NG	■												
20	Washer 18.6 x 13.5 x 1.5 (1x)		8 716 115 680 0		NG	■												
21	Flow regulator housing		8 716 140 244 0		NG	■												
22	Coupling assembly		8 716 120 507 0		NG	■												
23	Valve by-pass assembly		8 716 120 508 0		NG	■												
24	Valve 22mm bulkhead (balltype)		8 716 142 435 0		NG	■												
25	Pipe - return assembly		8 716 120 574 0		NG	■												
26	Pipe - w-w ht ex return 0454		8 716 100 392 0		NG	■												
27	Vessel-expansion-8lt (324x130)		8 716 142 510 0		NG	■												
28	Pipe - expansion vessel assy		8 716 120 793 0		NG	■												
29	Nut 10mm compression		8 716 140 226 0	13	NG	■												
30	10mm compression ring		8 716 140 227 0	18	NG	■												
31	Valve pr.rel.1/2 x15mmx1/8		8 716 142 416 0	37	NG	■												
32	Pipe - pressure relief assy 0459		8 716 120 533 0		NG	■												
33	Water to Water heat exchanger		8 716 120 560 0		NG	■												
34	Pipe - dom water inlet assy 0456		8 716 120 571 0		NG	■												
35	Pipe - domestic outlet 0455		8 716 120 570 0		NG	■												
36	Harness modureg		8 716 120 877 0		NG	■												
37	Pipe - flow assy wPipe - w ht ex 0452		8 716 120 536 0		NG	■												
38	Harness-grunfoss 910mm		8 716 120 838 0		NG	■												
39	Harness sensor (c.h.)		8 716 120 849 0		NG	■												
40	Harness sensor (dhw)		8 716 120 850 0		NG	■												
41	Screw by-pass		8 716 140 254 0		NG	■												
42	O-Ring 2.62 x 11.91 id nitrile		8 716 140 802 0	15	NG	■												
43	O-Ring 2.40 x 7.60 id nitrile		8 716 140 808 0	17	NG	■												
44	O-Ring 17.6 ID X 2.4 EP		8 716 140 820 0	02	NG	■												
45	O-Ring 3.53 x 25.8 i/d h-nitrile		8 716 140 821 0		NG	■												
46	Washer 24 x 12 x 1.50		8 716 140 919 0		NG	■												
47	Fibre washer 23.9 X 17.2 X 1.5 (10x)		8 710 103 043 0	12	NG	■												
47	Washer 23.9 x 17.2 x 1.5 (X1)		8 716 115 674 0		NG	■												
48	washer 30.5x22.2x1.5		8 716 140 920 0	13	NG	■												
49	Screw m4 x 29 lg zp hex head		2 911 051 134 0		NG	■												
50	Exp vessel front bracket assy		8 716 120 784 0		NG	■												
<b>230-FSN</b>			Hydraulic & Pump Assy D															<b>3</b>

Spare parts list



6720900257.AA

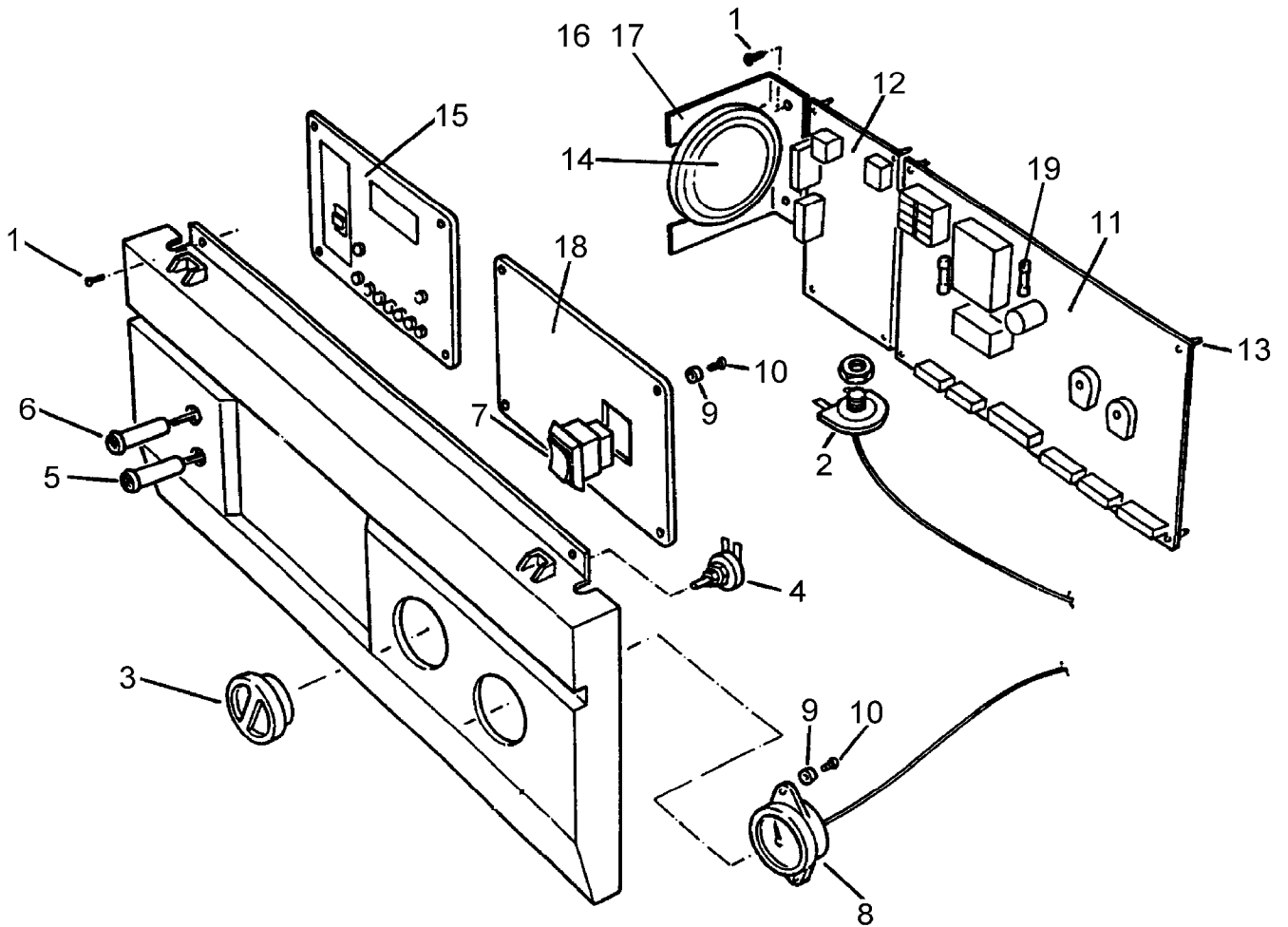
Hydraulic & Pump Assy  
D

230-FSN

3



Spare parts list



6720900129.AA

Electrical Box Assembly  
D

230-FSN

4

Pos	description	S-Nr	ordering no.	PG	gas type	230-FSN															remarks
1	Screw no.8x1/2 f/h type b self tap.		2 912 421 225 0	16	NG	■															
2	T/stat 101 c ranco lm7 p5050		8 716 142 364 0		NG	■															
3	Knob control-grey		8 716 141 088 0		NG	■															
4	Harness potentiometer		8 716 120 909 0		NG	■															
5	Lamp green c/w connectors		8 716 120 862 0		NG	■															
6	Lamp amber c/w connectors		8 716 120 861 0		NG	■															
7	Switch200400e857 3 pos ral7012		8 716 146 103 0		NG	■															
8	Guage-pressur61mm/cap/grey		8 716 142 357 0		NG	■															
9	Washer nylon 6mm x 10mm x 5mm		8 716 141 078 0		NG	■															
10	Screw iso no 6b x 9.5 recessed		2 912 421 210 0	07	NG	■															
11	Mother driver board w4115b1226		8 716 146 304 0		NG	■															
12	Ignition control board		8 716 146 305 0		NG	■															
13	Pcb black nylon pillars		8 716 141 060 0		NG	■															
14	Pressure s/w. sitgas-0.380.033		8 716 146 132 0		NG	■															
15	Electronic timer-s230e7		7 716 192 008 0		NG	■															
15	Mechanical timer-s230m1		7 716 192 009 0		NG	■															
16	Air press switch mtg plate		8 716 100 390 0		NG	■															
17	Harness pressure switch		8 716 120 848 0		NG	■															
18	Harness 3way switch		8 716 120 910 0		NG	■															
18	Inset plate		8 716 141 100 0		NG	■															
19	Fuse 315ma anti-surge 20mm lg		8 716 156 010 0		NG	■															
	Harness earth lead cHassis e+		8 716 120 883 0		NG	■															
	Harness earth lead pcb e+		8 716 120 884 0		NG	■															
	Harn output-seqbd/stat e rsf		8 716 120 885 0		NG	■															
	Potentiometer adjuster - nylon		8 716 141 068 0	15	NG	■															
	c240rsf fuse pack		8 716 156 012 0		NG	■															
<b>230-FSN</b>			Electrical Box Assembly D																	<b>4</b>	

**ADDITIONAL SPARE PARTS  
FOR APPLIANCE  
NOT DRAWN**

9099

6720900999.AA

Additional Spare Part  
D

230-FSN

**9**



**List of translations**

Pos			
1			
2			
3			
4			
5			
6			
7			
8			
<b>2</b>			
1			
2			
3			
4			
5			
6			
7			
8			
9			
10			
11			
12			
13			
14			
15			
16			
17			
18			
19			
20			
21			
22			
23			
24			
25			
26			
27			
28			
29			
30			
31			
32			
33			
<b>3</b>			
1			
2			
3			
4			
5			
6			
7			
9			
Pos			
10			
11			
12			
13			



**List of translations**

14				
15				
16				
17				
18				
19				
20				
21				
22				
23				
24				
25				
26				
27				
28				
29				
30				
31				
32				
33				
34				
35				
36				
37				
38				
39				
40				
41				
42				
43				
44				
45				
46				
47				
48				
49				
50				
<b>4</b>				
1				
2				
3				
4				
5				
6				
7				
8				
9				
10				
11				
12				
13				
Pos				
14				
15				
16				
17				
18				









